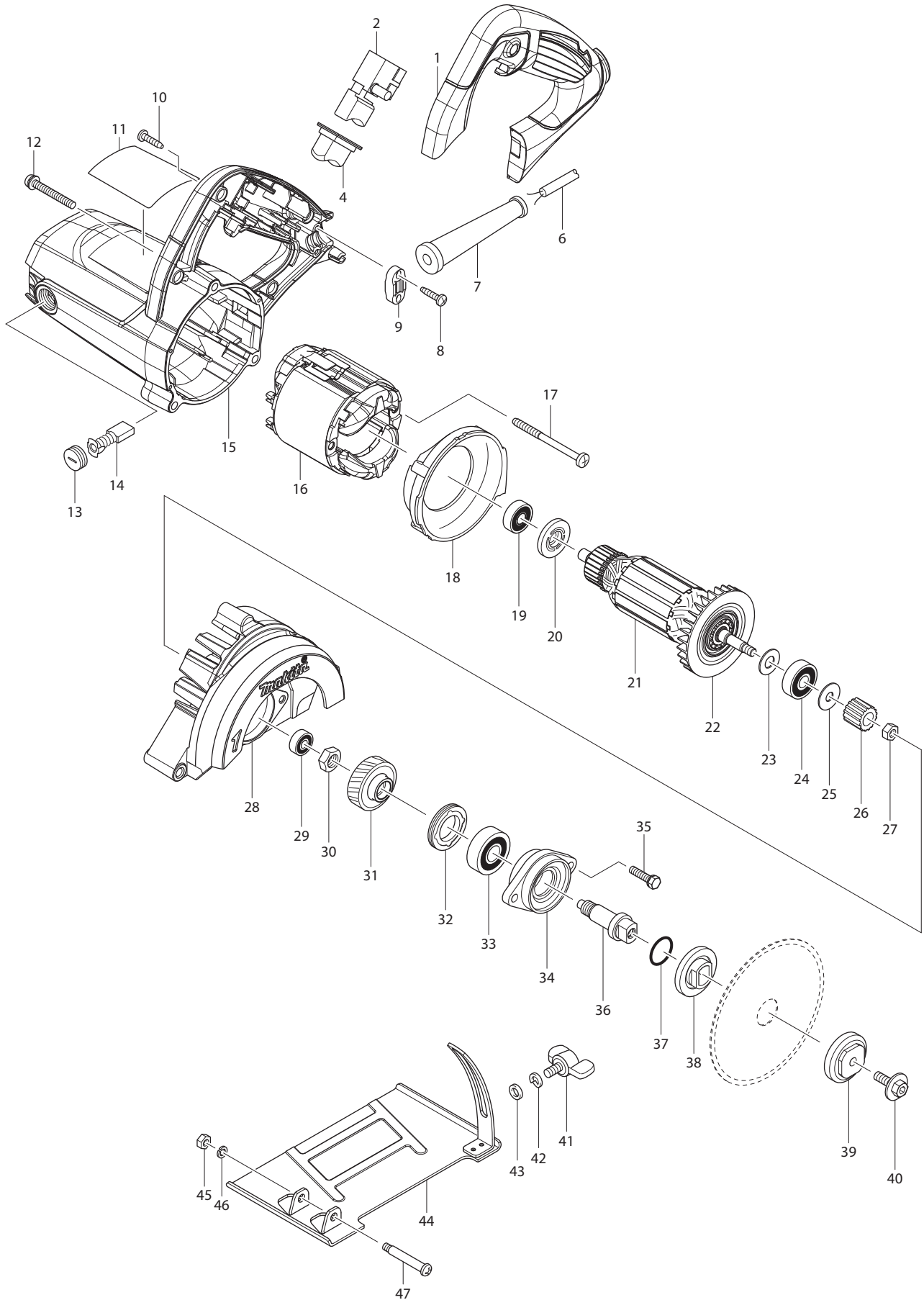




12 - 2014
4100NH3ZX
4-3/8" MASONRY SAW



| Item No. | Type | Sub | Part No. | Description | Qty | Unit |
|----------|------|------|----------|--------------------------------------|-----|------|
| 001 | | | 454557-7 | HANDLE COVER | 1 | PC. |
| 002 | | | 650250-3 | SWITCH FA1-6/1D-3 | 1 | PC. |
| 004 | | | 424585-6 | DUST COVER | 1 | PC. |
| 006 | | | 664891-9 | CORD WITH PLUG 2P-18-2.5M SJ | 1 | PC. |
| 007 | | | 682503-2 | CORD GUARD 8-90 | 1 | PC. |
| 008 | | | 266326-2 | TAPPING SCREW 4X18 | 2 | PC. |
| 009 | | | 687123-7 | STRAIN RELIEF | 1 | PC. |
| 010 | | | 266326-2 | TAPPING SCREW 4X18 | 4 | PC. |
| 011 | | | 814L09-6 | NAME PLATE F/ 4100NH3 | 1 | PC. |
| 012 | | | 265104-7 | PAN HEAD SCREW M5X40 | 3 | PC. |
| 013 | | | 643750-0 | BRUSH HOLDER CAP 7-11 | 2 | PC. |
| 014 | | | 194996-6 | CARBON BRUSH CB-303 2PC/SET W/ORIGIN | 1 | SET |
| 015 | | | 143193-1 | MOTOR HOUSING COMPLETE | 1 | PC. |
| | | INC. | 643708-9 | BRUSH HOLDER 5-11 | 2 | PC. |
| | | INC. | 806G59-5 | CAUTION LABEL | 1 | PC. |
| 016 | | | 594611-6 | FIELD ASS'Y 115V | 1 | PC. |
| | | INC. | 654020-2 | RING TERMINAL | 2 | PC. |
| | | INC. | 654501-6 | CONNECTOR P-1.25 | 2 | PC. |
| 017 | | | 266352-1 | TAPPING SCREW 5X65 | 2 | PC. |
| 018 | | | 417810-2 | BAFFLE PLATE | 1 | PC. |
| 019 | | | 211395-8 | BALL BEARING 608LLU | 1 | PC. |
| 020 | | | 681644-1 | INSULATION WASHER | 1 | PC. |
| 021 | | | 513866-4 | ARMATURE ASS'Y 115V | 1 | PC. |
| | | INC. | | Item No. 19,20,22-24 | | |
| 022 | | | 240053-9 | FAN 65 | 1 | PC. |
| 023 | | | 267237-4 | FLAT WASHER 9 | 1 | PC. |
| 024 | | | 211092-6 | BALL BEARING 629DDW | 1 | PC. |
| 025 | | | 267239-0 | FLAT WASHER 7 | 1 | PC. |
| 026 | | | 226552-5 | HELICAL GEAR 15 | 1 | PC. |
| 027 | | | 252186-8 | HEX. NUT M6 | 1 | PC. |
| 028 | | | 142143-3 | BLADE CASE COMPLETE | 1 | PC. |
| | | INC. | 213445-5 | O-RING 26 | 1 | PC. |
| 029 | | | 210028-2 | BALL BEARING 606ZZ | 1 | PC. |
| 030 | | | 252170-3 | HEX. NUT M10-17 | 1 | PC. |
| 031 | | | 227767-7 | HELICAL GEAR 34 | 1 | PC. |
| 032 | | | 285840-9 | BEARING RETAINER 19-33 | 1 | PC. |
| 033 | | | 211129-9 | BALL BEARING 6201DDW | 1 | PC. |
| 034 | | | 317550-1 | BEARING BOX | 1 | PC. |
| 035 | | | 265497-2 | + HEX. BOLT M5X20 | 2 | PC. |
| 036 | | | 324221-3 | SPINDLE | 1 | PC. |
| 037 | | | 213279-6 | O RING 18 | 1 | PC. |
| 038 | | | 224080-4 | INNER FLANGE 36 | 1 | PC. |
| 039 | | | 224081-2 | OUTER FLANGE 36 | 1 | PC. |
| 040 | | | 266510-9 | HEX. SOCKET HEX. BOLT M6X18 | 1 | PC. |
| 041 | | | 265754-8 | THUMB SCREW M6X12 | 1 | PC. |
| 042 | 2 | | 253428-3 | SPRING WASHER 6 (removed) | 1 | PC. |
| 043 | | | 941151-9 | FLAT WASHER 6 | 1 | PC. |
| 044 | | | 165711-5 | BASE | 1 | PC. |
| 045 | | | 252137-1 | HEX. NUT M5-8 | 1 | PC. |
| 046 | 2 | | 253427-5 | SPRING WASHER 5 | 1 | PC. |
| 047 | | | 265056-2 | + PAN HEAD SCREW M5 | 1 | PC. |
| C01B | | | 877603-3 | CARTON F/4100NH3ZX | 1 | PC. |
| D02 | | | 654037-5 | INSULATED TERM. FT1.25-M3 | 2 | PC. |

| Item No. | Type | Sub | Part No. | Description | Qty | Unit |
|---------------------------|------|-----|---|---------------------------------------|-----|------|
| D03 | | | 654509-0 | CONNECTOR 2-SD | 1 | PC. |
| D05 | | | 652040-0 | + PAN HEAD SCREW M3.5X6 | 2 | PC. |
| E01 | | | 424635-7 | SPONGE | 1 | PC. |
| <u>ACCESSORIES</u> | | | - See Catalogue or visit www.makita.ca for more accessories - | | | |
| A01 | | | 781041-2 | WRENCH 22 | 1 | PC. |
| A02 | | | 783217-7 | HEX. WRENCH 5 | 1 | PC. |
| A03 | 1 | | A-94546 | 4" TURBO RIM DIAMOND WHEEL, WET/DRY | 1 | PC. |
| | 2 | | B-69680 | 4" TURBO RIM DIAMOND WHEEL | 1 | PC. |
| | Opt | | D-36968 | 4-3/8" CURVED DIAMOND WHEEL 20MM, DRY | 1 | PC. |