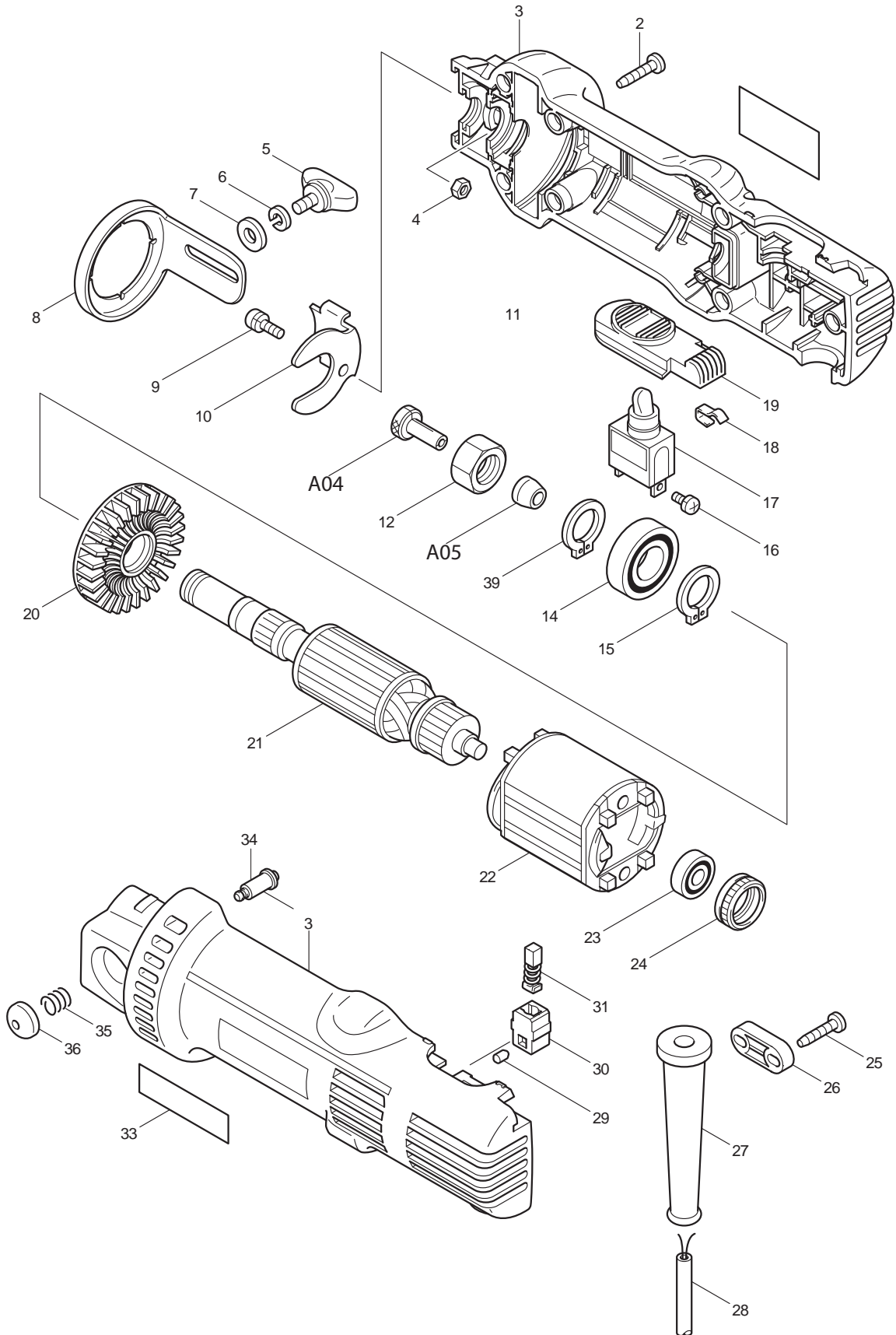




11 - 2009

3706

1/8" CUT-OUT TOOL



Item No	Type	Ref	Part No	Description	Qty	Unit
001			853169-7	NAME PLATE F/ 3706	1	PC.
002	2		266326-2	TAPPING SCREW 4X18	7	PC.
003	2		187986-6	HOUSING SET	1	SET
		INC.		Item No. 4,29,33		
004			931102-0	HEX. NUT M4	1	PC.
005			265750-6	THUMB SCREW M5X10	1	PC.
006			942101-7	SPRING WASHER 5	1	PC.
007			941101-4	FLAT WASHER 5	1	PC.
008			344964-1	SHOE PLATE	1	PC.
009			911111-5	PAN HEAD SCREW M4X10	1	PC.
010			344965-9	SHOE SUPPORT	1	PC.
012			763606-2	COLLET NUT 6	1	PC.
014			211236-8	BALL BEARING 6002DDW	1	PC.
015			961055-9	RETAINING RING S-15	1	PC.
016			652008-6	PAN HEAD SCREW M3.5X7	2	PC.
017			651423-1	SWITCH	1	PC.
018			232166-0	LEAF SPRING	1	PC.
019			417500-7	SWITCH LEVER	1	PC.
020			240044-0	FAN 56	1	PC.
021			517546-4	ARMATURE ASS'Y 115V	1	PC.
		INC.		Item No. 14,15,20,23,39		
022			595041-4	FIELD ASS'Y 115V	1	PC.
		INC.	654078-1	NON-INSULATED TERMINAL	1	PC.
023			210017-7	BALL BEARING 607DDW	1	PC.
024			421479-6	RUBBER RING 19	1	PC.
025	2		265A48-7	TAPPING SCREW 4X18	2	PC.
026			687063-9	CORD CLAMP (STRAIN RELIEF)	1	PC.
027			682559-5	CORD GUARD 8	1	PC.
028	2		551183-4	CORD W/PLUG 2P-18-3.0M, SJT	1	PC.
029			263002-9	RUBBER PIN 4	2	PC.
030			643552-4	BRUSH HOLDER 5-8	2	PC.
031	2		194971-2	CARBON BRUSH CB-75 2PC/SET (W/ ORIGIN)	1	SET
033			819063-3	MAKITA LABEL	1	PC.
034			256465-6	PIN 4-6.5	1	PC.
035			233072-2	COMPRESSION SPRING 8	1	PC.
036			417236-8	PIN CAP	1	PC.
039			961055-9	RETAINING RING S-15	1	PC.
100			654037-5	INSULATED EYE TERMINAL FT1.25-M3	2	PC.

ACCESSORIES

- See catalogue or visit www.makita.ca for optional accessory -

A01			423319-4	WRENCH HOLDER	1	PC.
A02	2		781037-3	WRENCH 17	1	PC.
A03	1		733229-0	DRYWALL GUIDE BIT 1/8" (3.18MM)	1	PC.
	2		733240-2	DRYWALL GUIDE BIT 1/8" (3.18MM) - BLUK	1	PC.
	3		191G69-8	DRYWALL GUIDE BIT 1/8" (3.18MM)	1	PC.
		INC.	733240-2	DRYWALL GUIDE BIT 1/8" (3.18MM) - BLUK	1	PC.
	Opt.		733232-1	DRYWALL GUIDE BIT 1/4" (6.35MM)	1	PC.
A05			763660-6	COLLET CONE 1/8"	1	PC.
			763608-8	COLLET CONE 1/4"	1	PC.
A06			193448-4	CIRCULAR GUIDE SET	1	PC.
A07	2		P-80010	DUST COLLECTING COVER SET	1	PC.
A08	2		183B37-5	PLASTIC CARRYING CASE	1	PC.

SERVICE CHANGE

Installation of 1/8" Bit (Item No. A04 & A05)

