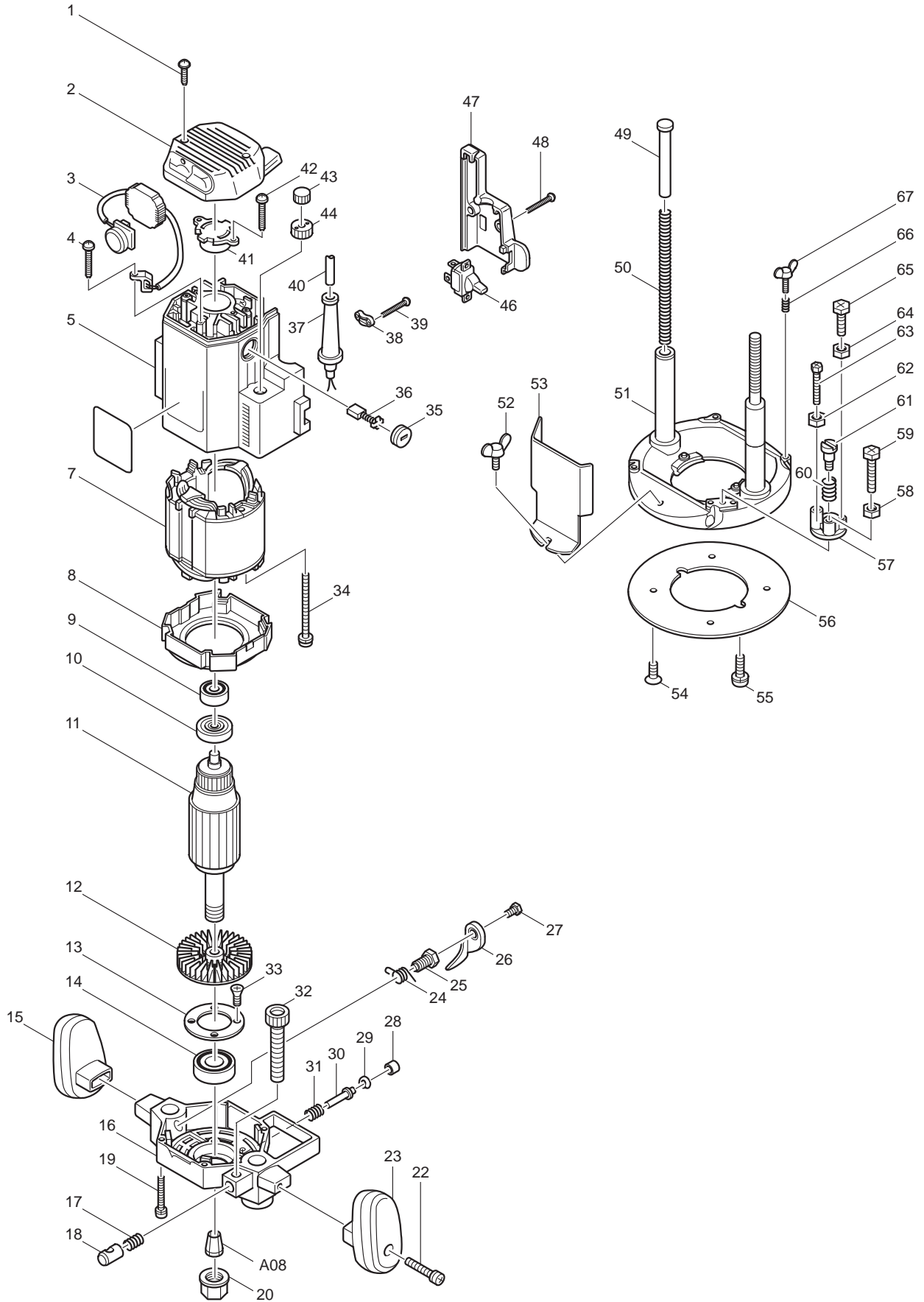




06 - 2009

3612C

3-1/4 HP 1/2" V.S. ROUTER



| Item No. | Part No. | Description | Qty | Unit |
|----------|---------------|---|-----|------|
| 1 | 266021-4 | TAPPING SCREW 5X20 | 2 | PC. |
| 2 | 415067-9 | REAR COVER (GREEN →BLACK) | 1 | PC. |
| 3 | 631150-6 | CONTROLLER 100/115V (MJ) - N/L/A | 1 | PC. |
| | 631194-6 | CONTROLLER (MCA) | 1 | PC. |
| 4 | 265995-6 | TAPPING SCREW 4X18 | 1 | PC. |
| 5 | 159668-0 | MOTOR HOUSING COMPLETE | 1 | PC. |
| | INC. 643707-1 | BRUSH HOLDER (OLD# 643705-5 - N/L/A) | 2 | PC. |
| | INC. 632281-4 | SUPPORT UNIT | 1 | PC. |
| 7 | 636011-5 | FIELD (MJ) | 1 | PC. |
| | 636096-1 | FIELD (MCA) | 1 | PC. |
| 8 | 415069-5 | BAFFLE PLATE | 1 | PC. |
| 9 | 211092-6 | BALL BEARING 629DDW | 1 | PC. |
| 10 | 681631-0 | INSULATION WASHER | 1 | PC. |
| 11 | 516505-5 | ARMATURE ASS'Y 115V (MJ) - N/L/A | 1 | PC. |
| | INC. | Item No. 9, 10, 12 | | |
| | 516636-0 | ARMATURE ASS'Y 115V (MCA) (OLD# 616636-1) | 1 | PC. |
| | INC. | Item No. 9, 10, 12 | | |
| 12 | 241861-1 | FAN 74 (FOR 516505-5) | 1 | PC. |
| | 241878-4 | FAN 83 (FOR 516636-0) | 1 | PC. |
| 13 | 285657-0 | * BEARING RETAINER 50 | 1 | PC. |
| 14 | 211326-7 | BALL BEARING 6004DDW (OLD 2012DDW) | 1 | PC. |
| 15 | 415070-0 | KNOB (L) | 1 | PC. |
| 16 | 152567-5 | * MOTOR BRACKET COMPLETE (MJ) | 1 | PC. |
| | 150443-7 | * MOTOR BRACKET COMPLETE (MCA) | 1 | PC. |
| 17 | 231142-1 | COMPRESSION SPRING 10 | 1 | PC. |
| 18 | 323559-3 | HALF NUT | 1 | PC. |
| 19 | 911263-2 | PAN HEAD SCREW M5X40 | 4 | PC. |
| 20 | 763629-0 | COLLET NUT | 1 | PC. |
| 21 | 231231-2 | * COMPRESSION SPRING 12 (OLD) | 1 | PC. |
| 22 | 911368-8 | PAN HEAD SCREW M6X45 | 2 | PC. |
| 23 | 415071-8 | KNOB (R) | 1 | PC. |
| 24 | 231618-8 | * TORSION SPRING 15 | 1 | PC. |
| 25 | 266015-9 | * SET BOLT M10 | 1 | PC. |
| 26 | 344097-2 | * LOCK LEVER | 1 | PC. |
| 27 | 265269-5 | HEX. BOLT M5X12 | 1 | PC. |
| 28 | 286235-9 | CAP 11 | 1 | PC. |
| 29 | 962062-5 | RETAINING RING R-12 | 1 | PC. |
| 30 | 256606-4 | PIN 6 | 1 | PC. |
| 31 | 231037-8 | COMPRESSION SPRING 7 | 1 | PC. |
| 32 | 251861-3 | SCREW M10X77 | 1 | PC. |
| 33 | 251295-0 | * + COUNTERSUNK HEAD SCREW M4X14 | 4 | PC. |
| 34 | 911944-8 | PAN HEAD SCREW M5X80 | 2 | PC. |
| 35 | 643700-5 | BRUSH HOLDER CAP 7-18 | 2 | PC. |
| 36 | 191953-5 | CARBON BRUSH CB-203 (2PCS/SET) (NO ORIGIN) | 1 | SET |
| | 194991-6 | CARBON BRUSH CB203 (2PCS/SET) (WITH ORIGIN) | 1 | SET |
| | 191957-7 | AUTO CUT-OFF CARBON BRUSH CB-203 (2PCS/SET) (NO ORIGIN) | 1 | SET |
| | 194992-4 | AUTO CUT_OFF CARBON BRUSH CB-203 (2PCS/SET) (WITH ORIGIN) | 1 | SET |
| 37 | 682505-8 | CORD GUARD 10-90 | 1 | PC. |
| 38 | 687052-4 | STRAIN RELIEF (OLD# 687054-0) | 1 | PC. |
| 39 | 265995-6 | TAPPING SCREW 4X18 | 2 | PC. |
| 40 | 664463-0 | CORD W/PLUG 2P-14-2.5M, SJ | 1 | PC. |
| 41 | 316499-2 | BEARING BOX | 1 | PC. |
| 42 | 265995-6 | TAPPING SCREW 4X18 | 2 | PC. |
| 43 | 152566-7 | * KNOB 50 COMPLETE | 1 | PC. |
| 44 | 410129-8 | * NYLON NUT M10 | 1 | PC. |
| 45 | 941251-5 | * FLAT WASHER 10 (OLD) | 1 | PC. |
| 46 | 651416-8 | SWITCH ALD163 | 1 | PC. |
| 47 | 415072-6 | SWITCH COVER | 1 | PC. |
| 48 | 265995-6 | TAPPING SCREW 4X18 | 2 | PC. |

| Item No. | Part No. | Description | Qty | Unit |
|----------|----------|--------------------------------|-----|------|
| 49 | 314062-5 | POLE | 1 | PC. |
| 50 | 231329-5 | COMPRESSION SPRING 11 | 2 | PC. |
| 51 | 151147-4 | BASE COMPLETE (MJ) - N/L/A | 1 | PC. |
| | 151158-9 | BASE COMPLETE (MCA) | 1 | PC. |
| 52 | 924206-5 | WING BOLT M5X10 | 1 | PC. |
| 53 | 410128-0 | CHIP DEFLECTOR | 1 | PC. |
| 54 | 912112-6 | COUNTERSUNK HEAD SCREW M4X10 | 4 | PC. |
| 55 | 911206-4 | PAN HEAD SCREW M5X10 | 2 | PC. |
| 56 | 413024-1 | BASE PLATE | 1 | PC. |
| 57 | 134205-1 | STOPPER ASS'Y | 1 | PC. |
| | INC. | Item No. 58, 59, 62-65 | 1 | PC. |
| 58 | 931202-6 | HEX. NUT M5 | 1 | PC. |
| 59 | 265335-8 | + HEX. BOLT M5X28 | 1 | PC. |
| 60 | 231231-2 | COMPRESSION SPRING 12 | 1 | PC. |
| 61 | 251423-7 | - FLAT HEAD SCREW H6 | 1 | PC. |
| 62 | 931202-6 | HEX. NUT M5 | 1 | PC. |
| 63 | 265336-6 | + HEX. BOLT M5X40 | 1 | PC. |
| 64 | 931202-6 | HEX. NUT M5 | 1 | PC. |
| 65 | 265333-2 | + HEX. BOLT M5X16 | 1 | PC. |
| 66 | 231240-1 | COMPRESSION SPRING 7 | 2 | PC. |
| 67 | 924216-2 | WING BOLT M5X15 | 2 | PC. |
| 100 | 652014-1 | P.H.SCREW M4X8 | 3 | PC. |
| 101 | 654038-3 | INSULATED TERMINAL FK1.25-M4 | 2 | PC. |
| 102 | 654014-7 | INSULATED TERMINAL FK2-M4D-5.5 | 1 | PC. |
| 103 | 654510-5 | CLOSED END CONNECTOR 5.5-SD | 3 | PC. |
| 104 | 654098-5 | CONNECTOR (RECEPTACLE) | 4 | PC. |
| 201 | 251830-4 | SCREW M10X34 | 1 | PC. |
| 202 | 342427-1 | PLATE HOLDER | 1 | PC. |
| 203 | 941101-4 | FLAT WASHER 5 | 1 | PC. |
| 204 | 942101-7 | SPRING WASHER 5 | 1 | PC. |
| 205 | 924206-5 | WING BOLT M5X10 | 1 | PC. |
| 206 | 163053-1 | ROLL | 1 | PC. |
| 207 | 941151-9 | FLAT WASHER 6 | 1 | PC. |
| 208 | 942151-2 | SPRING WASHER 6 | 1 | PC. |
| 209 | 924311-8 | WING BOLT M6X12 | 1 | PC. |

ACCESSORIES

| | | | | |
|-----|----------|--|---|-----|
| A01 | 132306-9 | GUIDE HOLDER ASSY (TYPE 1) - N/L/A | 1 | PC. |
| | INC. | Item No. 201, 207 - 209 | | |
| | 122256-6 | GUIDE HOLDER ASSY (TYPE 2) (Use with Item No. A03) | 1 | PC. |
| | INC. | Item No. 201, 207 - 209 | | |
| A02 | 123022-4 | TRIMMER GUIDE ASSY | 1 | PC. |
| | INC. | Item No. 202 - 206 | | |
| A03 | 342428-9 | STRAIGHT GUIDE (Use with Item No. A01) | 1 | PC. |
| A04 | 781213-9 | WRENCH 8 | 1 | PC. |
| | 781030-7 | WRENCH 24 | 1 | PC. |
| A05 | ----- | TEMPLATE GUIDE (See Catalogue for Details) | 1 | PC. |
| A06 | ----- | BIT (See Catalogue for Details) | 1 | PC. |
| A07 | 763803-0 | COLLET SLEEVE FOR 1/4" | 1 | PC. |
| | 763805-6 | COLLET SLEEVE FOR 3/8" | 1 | PC. |
| A08 | 763622-4 | COLLET CONE 1/2" | 1 | PC. |
| A10 | 252627-4 | NUT M30 (Use with A11 & A12) | 1 | PC. |
| A11 | 321492-3 | TEMPLATE GUIDE ADAPTOR 30 | 1 | PC. |
| A12 | 193235-1 | TEMPLATE GUIDE 1" (OLD# 321812-1 - N/L/A) | 1 | PC. |
| A13 | 192035-6 | VACUME HEAD SET (OLD# 192036-4 - N/L/A) | 1 | PC. |
| A14 | 194579-2 | GUIDE RAIL ADAPTOR | 1 | PC. |

SERVICE CHANGES

1. Changes on Motor Bracket Com., etc.

| Item No. | Description | Type 1 | Type 2 | Type 3 |
|-----------------|-------------------------------------|--------------------|----------------------------|--------------------------------|
| 13 | BEARING RETAINER 50 | 285657-0 (4 HOLES) | | 285657-0 (2 HOLES) |
| 16 | MOTOR BRACKET COM. | 150380-5 | 150443-7 | 152567-5 (MJ PRODUCTS ONLY) |
| 24 | TORISON SPRING 15 | 231574-2 | 231618-8 | |
| 25 | SET BELT M10 | 265813-8 | 266015-9 | |
| 26 | LOCK LEVER | 341933-3 | 344097-2 | |
| 33 | (+) COUNTERSUNK HEAD SCREW M4X14 | 251295-0 (4PCS) | 251295-0 (2PCS - MJ & MCA) | |
| Serial No. | MJ Product | ~1026E | 1027E~16640E | 16641E~ |
| | MCA Product | | N/A | N/A |

2. Changes on Knob, etc.

| Item No. | Description | Type 1 | Type 2 |
|-----------------|-----------------------|---------------------|--|
| 21 | COMPRESSION SPRING 12 | 231231-2 | ----- |
| 43 | KNOB 50/KNOB 50 COM. | 271299-6 (N/L/A) | 152566-7 with Rubber Pin 4 (263002-9) |
| 44 | NUT | 252203-4 M10-15 | 410129-8 M10 NYLON |
| 45 | FLAT WASHER 10 | 941251-5 | ----- |

Above parts are completely interchangeable as a set