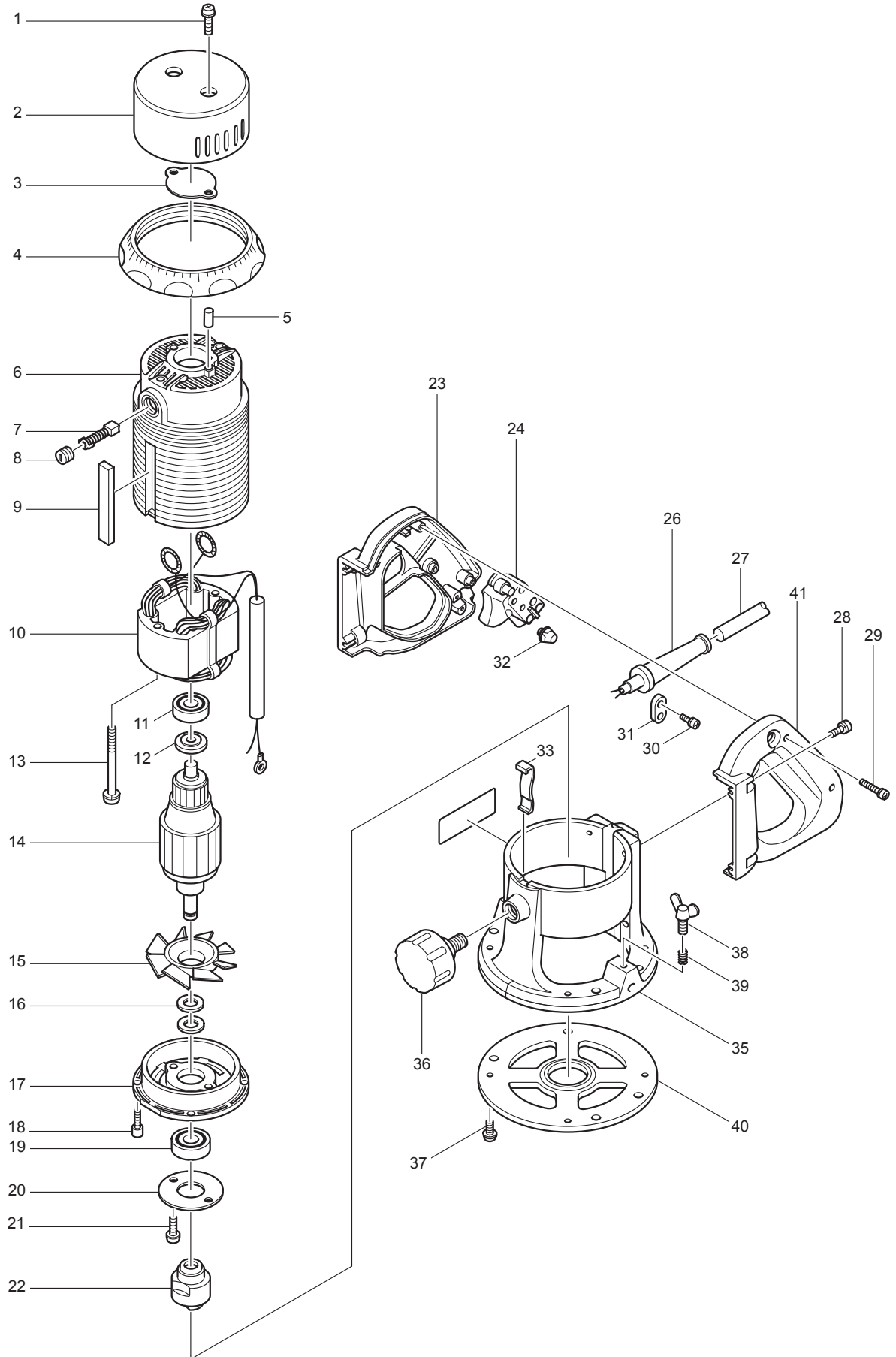




02 - 2010
3601B
1/2" ROUTER



Item No	Type	Ref	Part No	Description	Qty	Unit
001			911216-1	PAN HEAD SCREW M5X14	2	PC.
002			284042-4	REAR COVER	1	PC.
003			285016-8	BEARING COVER 45	1	PC.
004			411372-2	SCALE RING	1	PC.
005			263002-9	RUBBER PIN 4	1	PC.
006			159246-6	* MOTOR HOUSING COMPLETE	1	PC.
		INC.	643653-8	* BRUSH HOLDER 6.5-13.5	2	PC.
		INC.	913206-0	* SET SCREW M5X8	2	PC.
		INC.		* Item No. 5		
007	2		194986-9	CARBON BRUSH CB-154 2PC/SET W/ ORIGIN	1	SET
	Opt.2		194987-7	A.C. CARBON BRUSH CB-155 2PC/SET (W/ ORIGIN)	1	SET
008			643650-4	BRUSH HOLDER CAP 6.5-13.5	2	PC.
009			341381-6	STAY	1	PC.
010			528329-7	FIELD ASS'Y 115V (OLD# 623032-6)	1	PC.
		INC.	654020-2	RING TERMINAL	2	PC.
		INC.	654502-4	CONNECTOR P-2	2	PC.
011			211068-3	BALL BEARING 6200LB	1	PC.
012			681635-2	* INSULATION WASHER (TYPE4)	1	PC.
013			911280-2	PAN HEAD SCREW M5X55	2	PC.
014			513302-0	* ARMATURE ASS'Y 115V (OLD# 613302-1)	1	PC.
		INC.		* Item No. 11,12,15		
015			241621-1	FAN 76	1	PC.
016			253748-5	FLAT WASHER 12	2	PC.
017			316296-6	* MOTOR BRACKET	1	PC.
018			911241-2	PAN HEAD SCREW M5X25	4	PC.
019			211129-9	BALL BEARING 6201DDW	1	PC.
020			285612-2	BEARING RETAINER 40	1	PC.
021			911216-1	PAN HEAD SCREW M5X14	2	PC.
022			763602-0	COLLET CHUCK 1/2'	1	PC.
023			181148-8	HANDLE SET (OLD# 411375-6 - HANDLE RIGHT)	1	SET
024			651018-0	SWITCH (TRIGGER)	1	PC.
026			682503-2	CORD GUARD 8-90	1	PC.
027			660023-6	CORD W/PLUG 2P-18-5.0M, SJ (OLD#664013-1)	1	PC.
028			911233-1	PAN HEAD SCREW M5X20	4	PC.
029			911153-9	PAN HEAD SCREW M4X28	2	PC.
030			911133-5	PAN HEAD SCREW M4X18 (OLD# 911131-9)	2	PC.
031			687002-9	STRAIN RELIEF	1	PC.
032			911103-4	PAN HEAD SCREW M4X6	1	PC.
033			342290-2	LOCK PLATE	1	PC.
034			815035-6	NAME PLATE F/3601B	1	PC.
035	1		316316-6	* ROUTER BASE	1	PC.
	2		316297-4	* ROUTER BASE (w/o Rivet Holes)	1	PC.
036			271213-2	KNOB 52	1	PC.
037			911207-2	PAN HEAD SCREW M5X10	4	PC.
038			924326-5	WING BOLT M6X20	1	PC.
039			231005-1	COMPRESSION SPRING 7	1	PC.
040			411023-7	BASE PLATE	1	PC.
041			181148-8	HANDLE SET (OLD# 411374-8 - HANDLE LEFT)	1	SET
200			652014-1	P.H. SCREW M4 X 8 (F/ Item No.201)	4	PC.
201			654038-3	INSULATED TERMINAL FT1.25-M4	4	PC.
708			687650-4	STRAIN RELIEF	1	PC.
900			911111-5	PAN HEAD SCREW M4X10	1	PC.
901			931102-0	HEX. NUT M4	1	PC.

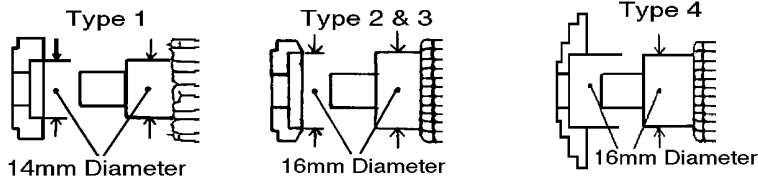
Item No	Type	Ref	Part No	Description	Qty	Unit
902			953101-2	* RIVET 0-3 (Removed)	2	PC.
<u>ACCESSORIES</u>						
A01			781029-2	WRENCH 21 (OLD# 781208-2 - N/L/A)	1	PC.
A02			781012-9	WRENCH 23 (OLD# 781209-0)	1	PC.
A03			763803-0	COLLET SLEEVE FOR 1/4" BIT (SE from FEB2010)	1	PC.
A04			763805-6	COLLET SLEEVE 3/8"	1	PC.
A05			763623-2	1/2" COLLET CONE	1	PC.
A06			123029-0	STRAIGHT GUIDE ASSY	1	PC.
		INC.	924326-5	WING BOLT M6X20	1	PC.
		INC.	231005-1	COMPRESSION SPRING 7	1	PC.
		INC.	256902-0	ROD	1	PC.
A07			321493-1	TEMPLET GUIDE ADAPTR	1	PC.
A08			122343-1	TRIMMER GUIDE ASSY	1	PC.
		INC.	924316-8	T. SCREW M6 X 15	1	PC.
		INC.	942151-2	SPRING WASHER 6	1	PC.
		INC.	941151-9	FLAT WASHER 6	1	PC.
		INC.	342427-1	PLATE HOLDER	1	PC.
		INC.	312038-6	TRIMMER GUIDE HOLDER	1	PC.
		INC.	941151-9	FLAT WASHER 6	2	PC.
		INC.	924346-9	THUMB SCREW M6X30	2	PC.
		INC.	942151-2	SPRING WASHER 6	2	PC.
		INC.	251879-4	SCREW M10X65	1	PC.
		INC.	163263-0	ROLL	1	PC.
		INC.	923211-9	C.S.N. BOLT M5 X 12	1	PC.
		INC.	934201-7	WING NUT M5	1	PC.
		INC.	942101-7	SPRING WASHER 5	1	PC.
A09			-----	DOVETAIL ROUTER BITS		
A11			323018-7	TEMPLET GUIDE 5/8" Use F/KJ150	1	PC.

SERVICE CHANGES

1. Changes on Armature Shaft and Insulation washer

Item No.	Description	Type 1	Type 2	Type 3	Type 4
12	Insulation Washer	681607-7 (N/L/A)	681623-9 (Black)	681624-7 (White)	681635-2 (White)
14	Armature	513302-0 (or 613302-1)			
		14mm shaft		16mm shaft	
	Serial No.	~ 79904E	79905E ~		Sept 1993 ~

Above parts are completely interchangeable as a set.



2. Changes on Motor Housing, Motor Bracket and Router Base

Item No.	Description	Type 1	Type 2	Type 3	Type 4	Type 5
6	Motor Housing	156399-2		159246-6		
17	Motor Bracket	312036-0 (N/L/A)		316296-6		
35	Router Base	312034-4 (N/L/A)	316316-6	316297-4	316316-6	316297-4
902	Rivet 0-3	-----		953101-2		---
	Serial No.	~ 242415E	242416E ~			

Above parts are completely interchangeable as a set.

