

Item No.	Type	Sub	Part No.	Description	Qty	Unit
001			211361-5	BALL BEARING 6305LLB	1	PC.
002			253888-9	FLAT WASHER 25	1	PC.
003			254032-1	WOODRUFF KEY 5	1	PC.
004			321645-4	SPINDLE	1	PC.
005		2	155736-7	SAFETY COVER COMPLETE (ENG & FR LABEL)	1	PC.
006			224219-9	INNER FLANGE 102	1	PC.
007			911381-6	PAN HEAD SCREW M6X60	4	PC.
008			257104-1	ADAPTOR RING 22	1	PC.
009			224218-1	OUTER FLANGE 102	1	PC.
010			251680-7	HEX. BOLT M10X25	1	PC.
011			342666-3	CENTER CAP	1	PC.
012			924306-1	WING BOLT M6X10	1	PC.
013			416771-3	PLUG	2	PC.
014			911309-4	PAN HEAD SCREW M6X10	1	PC.
015			257105-9	RING 6	1	PC.
016			231240-1	COMPRESSION SPRING 7	1	PC.
017			321682-8	STOPPER	1	PC.
018		2	524751-6	FIELD ASS'Y 115V (OLD# 624751-7)	1	PC.
		INC.	654020-2	RING TERMINAL	2	PC.
		INC.	654502-4	CONNECTOR P-2	2	PC.
019			911938-3	PAN HEAD SCREW M5X85	2	PC.
020			343299-7	BAFFLE PLATE	1	PC.
021			211066-7	BALL BEARING 6200LLB	1	PC.
022			213051-6	DUST SEAL 10	1	PC.
023			514881-1	ARMATURE ASS'Y 115V	1	PC.
		INC.		Item No. 21,22,24		
024			241515-0	FAN 92 (OLD# 241054-0)	1	PC.
025			253887-1	FLAT WASHER 15	1	PC.
026			211211-4	BALL BEARING 6302LLB	1	PC.
027		2	151829-8	GEAR HOUSING COMPLETE	1	PC.
		INC.	212104-8	NEEDLE BEARING 1212	1	PC.
		INC.	213513-4	O RING 39	1	PC.
		INC.	213561-3	O RING 42	1	PC.
		INC.	267039-8	FLAT WASHER 32	1	PC.
028			256643-8	PIN 7	1	PC.
029			253022-1	FLAT WASHER 8	1	PC.
030			165276-7	SAFETY GUARD	1	PC.
031			253022-1	FLAT WASHER 8	1	PC.
032			961018-5	STOP RING E-5	1	PC.
033			961105-0	RETAINING RING S-25	1	PC.
034			221730-2	HELICAL GEAR 53	1	PC.
035			315636-5	BEARING HOUSING	1	PC.
036			181978-7	HANDLE SET	1	SET
		INC.	931102-0	HEX NUT 4	4	PC.
		INC.	931202-6	HEX NUT 5	3	PC.
038			651131-4	SWITCH C3D-15MS	1	PC.
039			911113-1	PAN HEAD SCREW M4X10	1	PC.
040			652014-1	PAN HEAD SCREW M4X8	1	PC.
041		2	851469-9	NAME PLATE F/ 2416S	1	PC.
042			953106-2	RIVET 0-5	4	PC.
043		1	281207-9	HANGER	1	PC.
		2	281216-8	HANGER	1	PC.
044			256012-3	PIN 6	1	PC.
046			911148-2	PAN HEAD SCREW M4X25	4	PC.
047			911273-9	PAN HEAD SCREW M5X50	2	PC.
048			911253-5	PAN HEAD SCREW M5X30	1	PC.
049			911211-1	PAN HEAD SCREW M5X12	2	PC.

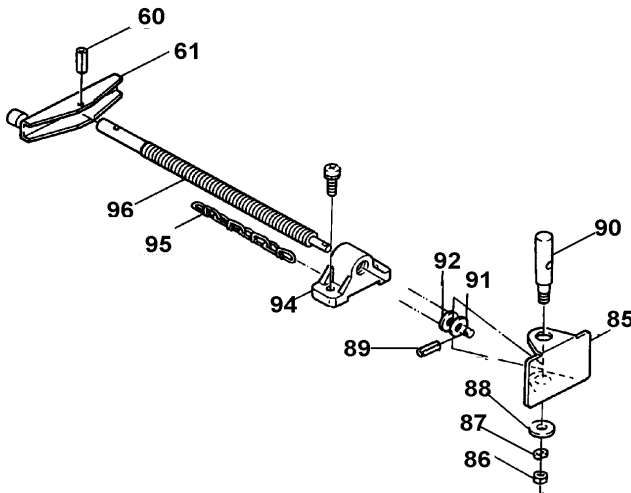
Item No.	Type	Sub	Part No.	Description	Qty	Unit
050			284010-7	REAR COVER	1	PC.
051			263002-9	RUBBER PIN 4	1	PC.
052		2	194986-9	CARBON BRUSH CB-154 2PC/SET W/ ORIGIN	1	SET
		Opt.2	194987-7	A.C. CARBON BRUSH CB-155 2PC/SET (W/ ORIGIN)	1	SET
053			643650-4	BRUSH HOLDER CAP 6.5-13.5	2	PC.
054			157753-3	MOTOR HOUSING COMPLETE	1	PC.
		INC.	643653-8	BRUSH HOLDER 6.5-13.5	2	PC.
		INC.	913206-0	SET SCREW M5X8	2	PC.
		INC.		Item No. 51		
055			664820-2	CORD W/PLUG 3P-14-2.5M, SJ	1	PC.
056			682507-4	CORD GUARD 12-200	1	PC.
057		2	911133-5	PAN HEAD SCREW M4X18 (OLD# 911131-9)	2	PC.
058		2	687000-3	STRAIN RELIEF (OLD# 687001-1)	1	PC.
059			681002-1	INSULATION WASHER	2	PC.
060			951163-4	SPRING PIN 5-20	1	PC.
061		2	272021-4	HANDLE 120 (For Quick Vice)	1	PC.
062			911451-1	PAN HEAD SCREW M8X30 (OLD# 911441-4)	2	PC.
063			331252-5	GUIDE	1	PC.
066			265201-9	HEX. BOLT M10X25	1	PC.
068			265201-9	HEX. BOLT M10X25	1	PC.
069			343422-4	STOPPER PLATE	1	PC.
070			942151-2	SPRING WASHER 6	1	PC.
071			924316-8	WING BOLT M6X15	1	PC.
072			342759-6	RETAINER	1	PC.
073			961104-2	RETAINING RING S-24	1	PC.
074			331251-7	PIPE 24	1	PC.
075			931302-2	HEX. NUT M6	1	PC.
076			942151-2	SPRING WASHER 6	1	PC.
077			922317-0	HEX. SOCKET HEAD BOLT M6X14	1	PC.
078			231569-5	TORSION SPRING 30	1	PC.
079			421277-8	CUSHION	3	PC.
080			911349-2	PAN HEAD SCREW M6X28	3	PC.
082			961104-2	RETAINING RING S-24	1	PC.
083			911316-7	PAN HEAD SCREW M6X14	1	PC.
084			342678-6	SPARK CHUTE	1	PC.
085			342679-4	WISE PLATE (OLD# 343546-6)	1	PC.
086		2	931402-8	HEX. NUT M8 (OLD# 931401-0)	1	PC.
087			942201-3	SPRING WASHER 8	1	PC.
088			253752-4	FLAT WASHER 8	1	PC.
089			951066-2	SPRING PIN 3-18	1	PC.
090			321680-2	SCREW M8 (OLD# 265922-3)	1	PC.
091			253731-2	FLAT WASHER 8	1	PC.
092			253731-2	FLAT WASHER 8	1	PC.
093			164710-4	BASE	1	PC.
094		1	311714-9	VICE NUT (For Regular Vice)	1	PC.
094		2	322209-7	VICE NUT (For Quick Vice)	1	PC.
		2	282016-9	CHAIN	1	PC.
096		1	321681-0	VICE SCREW (For Regular Vice)	1	PC.
		2	322240-3	VICE SCREW (For Quick Vice)	1	PC.
097			819064-1	MAKITA MARK	1	PC.
099			231026-3	COMPRESSION SPRING 4	1	PC.
100			411446-9	SWITCH LOCK TYPE 2	1	PC.
101			411447-7	LOCK-OFF BUTTON	1	PC.
103		2	311949-2	SCREW GUIDE (For Quick Vice)	1	PC.
200			652014-1	P.H. SCREW M4 X 18	5	PC.
201			654002-4	EYE TERMINAL 1.25-M4	5	PC.

Item No.	Type	Sub	Part No.	Description	Qty	Unit
<b>ACCESSORIES</b> - See catalogue or visit <a href="http://www.makita.ca">www.makita.ca</a> for other optional accessories -						
A01			A-90174	16" CUT-OFF WHEEL A36PDF 5PC/PK	1	PC.
			A-05050	16" CUT-OFF WHEEL A36PBF 25PC/PK	1	PC.
A02			782210-8	SOCKET WRENCH 17	1	PC.
A03			134549-9	QUICK VISE ASSY (SE from JUL 2010 Production)	1	PC.
A04			411447-7	LOCK-OFF BUTTON	2	PC.

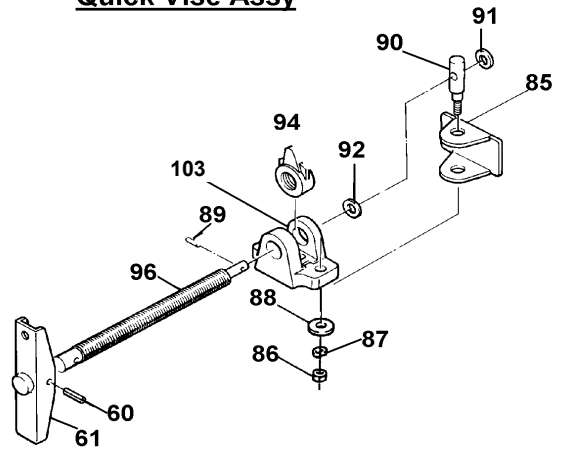
**REGULAR VICE ASSY vs. QUICK VICE ASSY**

Regular Vice Assy (Type1)			Quick Vice Assy (Type2)	
Item No.	Part No.	Description	Part No.	Description
A03	N/A	<b>REGULAR VICE ASSY</b> (Includes below parts)	<b>134549-9</b>	<b>QUICK VICE ASSY</b> (Includes below parts)
60	951163-4	SPRING PIN 5-20	951163-4	SPRING PIN 5-20
61	272019-1	HANDLE 120	272021-4	HANDLE 120
85	342679-4	VICE PLATE	342679-4	VICE PLATE (OLD# 343546-6)
86	931402-8	HEX. NUT M8 (OLD# 931401-0)	931402-8	HEX. NUT M8
87	942201-3	SPRING WASHER 8	942201-3	SPRING WASHER 8
88	253752-4	FLAT WASHER 8	253752-4	FLAT WASHER 8
89	951066-2	SPRING PIN 3-18	951066-2	SPRING PIN 3-18
90	321680-2	SCREW M8	321680-2	SCREW M8 (OLD# 265922-3)
91	253731-2	FLAT WASHER 8	253731-2	FLAT WASHER 8
92	253731-2	FLAT WASHER 8	253731-2	FLAT WASHER 8
94	311714-9	VICE NUT	322209-7	VICE NUT
96	321681-0	VICE SCREW	322240-3	VICE SCREW
103	N/A	SCREW GUIDE	311949-2	SCREW GUIDE

**Vice Assy (Regular)**



**Quick Vice Assy**



(T/I# 89417)