

Item No	Type	Ref	Part No	Description	Qty	Unit
001			664276-9	CORD W/PLUG 2P-16-5.0M, SJ	1	PC.
003			682505-8	CORD GUARD 10-90	1	PC.
004			911158-9	PAN HEAD SCREW M4X30	2	PC.
005			911300-2	PAN HEAD SCREW M5X75	2	PC.
006			911213-7	PAN HEAD SCREW M5X12	4	PC.
007			181151-9	HANDLE SET	1	SET
008			911253-5	PAN HEAD SCREW M5X30	2	PC.
009	2		156414-2	MOTOR HOUSING	1	PC.
		INC.	643653-8	BRUSH HOLDER 6.5-13.5	2	PC.
010			911133-5	PAN HEAD SCREW M4X18	2	PC.
011			687031-2	STRAIN RELIEF	1	PC.
012			911103-4	PAN HEAD SCREW M4X6	2	PC.
013			651018-0	SWITCH (TRIGGER)	1	PC.
014			911228-4	PAN HEAD SCREW M5X18	3	PC.
015			281007-7	HOLDER	1	PC.
016			911324-8	PAN HEAD SCREW M6X16	1	PC.
017			854895-1	NAME PLATE F/ 1806B	1	PC.
018			953106-2	RIVET 0-5	4	PC.
019			271249-1	KNOB 64 (OLD# 271202-7 - N/L/A)	1	PC.
020			253004-3	FLAT WASHER 13	1	PC.
021			911158-9	PAN HEAD SCREW M4X30	2	PC.
022	1		316966-7	CHIP COVER	1	PC.
	2		312E29-7	CHIP COVER	1	PC.
023			911206-4	PAN HEAD SCREW M5X10	2	PC.
024			285004-5	BEARING COVER 38	1	PC.
025			911206-4	PAN HEAD SCREW M5X10	2	PC.
026	2		142892-2	* MAIN FRAME	1	PC.
		INC.	804W95-1	* SCALE LABLE	1	PC.
		INC.	817733-8	CAUTION LABEL	1	PC.
027			423094-2	RUBBER PACKING	1	PC.
028			231233-8	COMPRESSION SPRING 24	1	PC.
029	1		315575-9	FRONT BASE	1	PC.
	2		316917-0	FRONT BASE	1	PC.
030			265484-1	HEX. SOCKET HEAD BOLT M6X17	10	PC.
031	3		187675-3	DRUM PLATE (2PCS/SET)	1	SET
032			341376-9	WASHER 10	1	PC.
034			211067-5	BALL BEARING 6200ZZ	1	PC.
035			911256-9	PAN HEAD SCREW M5X35	2	PC.
036			643650-4	BRUSH HOLDER CAP 6.5-13.5	2	PC.
037	2		194986-9	CARBON BRUSH CB-154 2PC/SET W/ ORIGIN	1	SET
	Opt.2		194987-7	A.C. CARBON BRUSH CB-155 2PC/SET (W/ ORIGIN)	1	SET
038			251212-0	+ FLAT HEAD SCREW M5X13	4	PC.
039			161132-9	DRUM	1	PC.
040			341377-7	WASHER 12	1	PC.
041			211107-9	BALL BEARING 6201ZZ	1	PC.
042			523022-8	FIELD ASS'Y 115V-130V (OLD# 623022-9)	1	PC.
		INC.	654020-2	RING TERMINAL	2	PC.
		INC.	654502-4	CONNECTOR P-2	2	PC.
044	2		211061-7	BALL BEARING 6000LLB	1	PC.
045			681635-2	INSULATION WASHER	1	PC.
046			513386-8	ARMATURE ASS'Y 115V (OLD# 613311-0)	1	PC.
		INC.		Item No. 44,45,47,52,53		
047			241013-4	FAN 80	1	PC.
048			222007-8	V-PULLEY 6-23L	1	PC.

Item No	Type	Ref	Part No	Description	Qty	Unit
049			911263-2	PAN HEAD SCREW M5X40	5	PC.
050			152214-8	BRACKET COMPLETE (OLD# 411407-9)	1	PC.
050		INC.		Item No. 55		
051			341384-0	WASHER 26	1	PC.
052			211106-1	BALL BEARING 6201LLB	1	PC.
053			213102-5	DUST SEAL 12	1	PC.
054			263005-3	RUBBER PIN 6	1	PC.
055			263005-3	RUBBER PIN 6	1	PC.
056	2		159942-6	DRUM HOUSING (OLD# 312926-7)	1	PC.
		INC.		Item No. 54		
057			911121-2	PAN HEAD SCREW M4X14	4	PC.
058			222006-0	V-PULLEY 6-30	1	PC.
059			225042-5	POLY V-BELT 6-304	1	PC.
060	1		343301-6	BELT COVER	1	PC.
	2		347B54-1	BELT COVER	1	PC.
061			911206-4	PAN HEAD SCREW M5X10	1	PC.
063			421490-8	RUBBER RING 26	1	PC.
100			654038-3	INSULATED TERMINAL FT1.25-M4	4	PC.
101			652014-1	P.H. SCREW M4 X 8	4	PC.
102			652252-5	CLAMP WASHER	4	PC.
E01			231668-3	* TORSION SPRING 15 (Added)	1	PC.
E02			346815-4	* PLATE (Added)	1	PC.
E03			418155-1	* FOOT (Added)	1	PC.
E04			911211-1	* PAN HEAD SCREW M5X12 (Added)	2	PC.

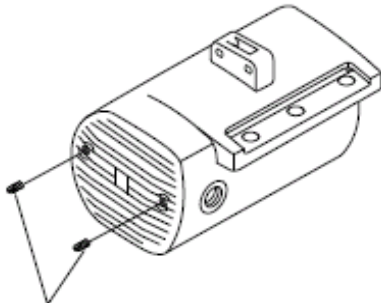
ACCESSORIES

400			762001-3	TRIANGULAR RULE	1	PC.
401			934201-7	WING NUT M5	2	PC.
402			123053-3	GUIDE RULE ASS'Y	1	PC.
402		INC.		Item No. 401,403		
403			923211-9	CAP SQUARE NECK BOLT M5X12	2	PC.
404	1		793186-4	6-3/4" PLANER BLADE HSS	1	SET
	2		D-63666	6-3/4" PLANER BLADE HSS 2PC/SET	1	SET
405			783202-0	HEX. WRENCH 4	1	PC.
408			123006-2	SHARPENING HOLDER ASS'Y	1	PC.
		INC.	934301-3	WING NUT M6	2	PC.
		INC.	341009-6	PRESSURE PLATE - (N/A as individually)	1	PC.
		INC.	312846-5	SHARPENING HOLDER - (N/A as individually)	1	PC.
		INC.	251920-3	C.S.N. BOLT M6X30	2	PC.
410			794060-9	DRESSING STONE 180MM	1	PC.
411			181575-9	JOINT 70	1	PC.
412			122397-8	NOZZLE ASSY	1	PC.
		INC.	213701-3	O RING	1	PC.

SERVICE CHANGES

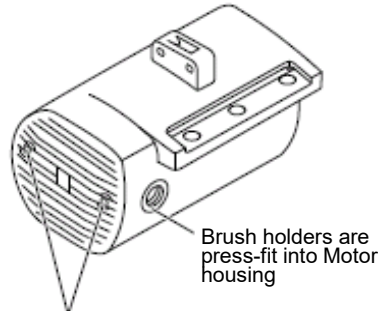
1. Changes on Motor Housing

Type 1



Set screws M5X8 are used as the stopper of Brush Holder

Type 2



Brush holders are press-fit into Motor housing

Screws are eliminated

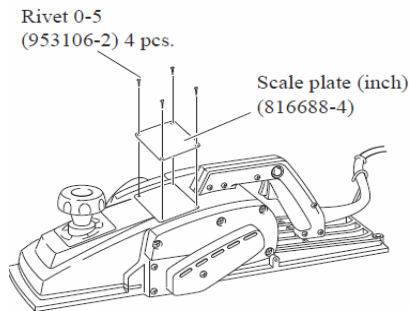
2. Changes on Main frame

(TI#A3962)

Item No	Description	Type 1	Type 2
26	Main Frame	159984-0	142892-2
26 INC.	Scale Plate > Scale Label	816688-4	804W95-1
26 INC.	Rivet 0-5	953106-2	-----
E01	Torsion Spring 15	-----	231668-3
E02	Plate	-----	346815-4
E03	Foot	-----	418155-1
E04	Pan Head Screw M5x12	-----	911211-1

Above parts are completely interchangeable as a set.

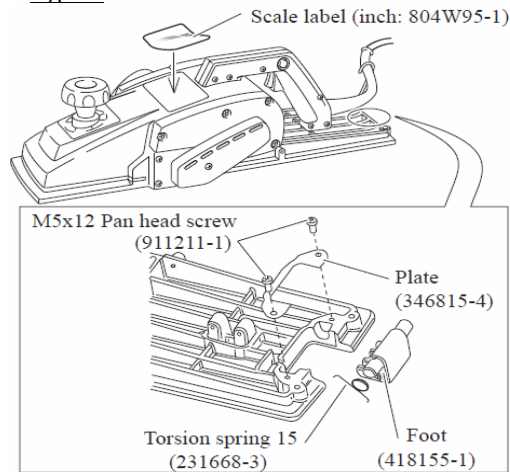
Type 1



Rivet 0-5 (953106-2) 4 pcs.

Scale plate (inch) (816688-4)

Type 2



Scale label (inch: 804W95-1)

M5x12 Pan head screw (911211-1)

Plate (346815-4)

Torsion spring 15 (231668-3)

Foot (418155-1)