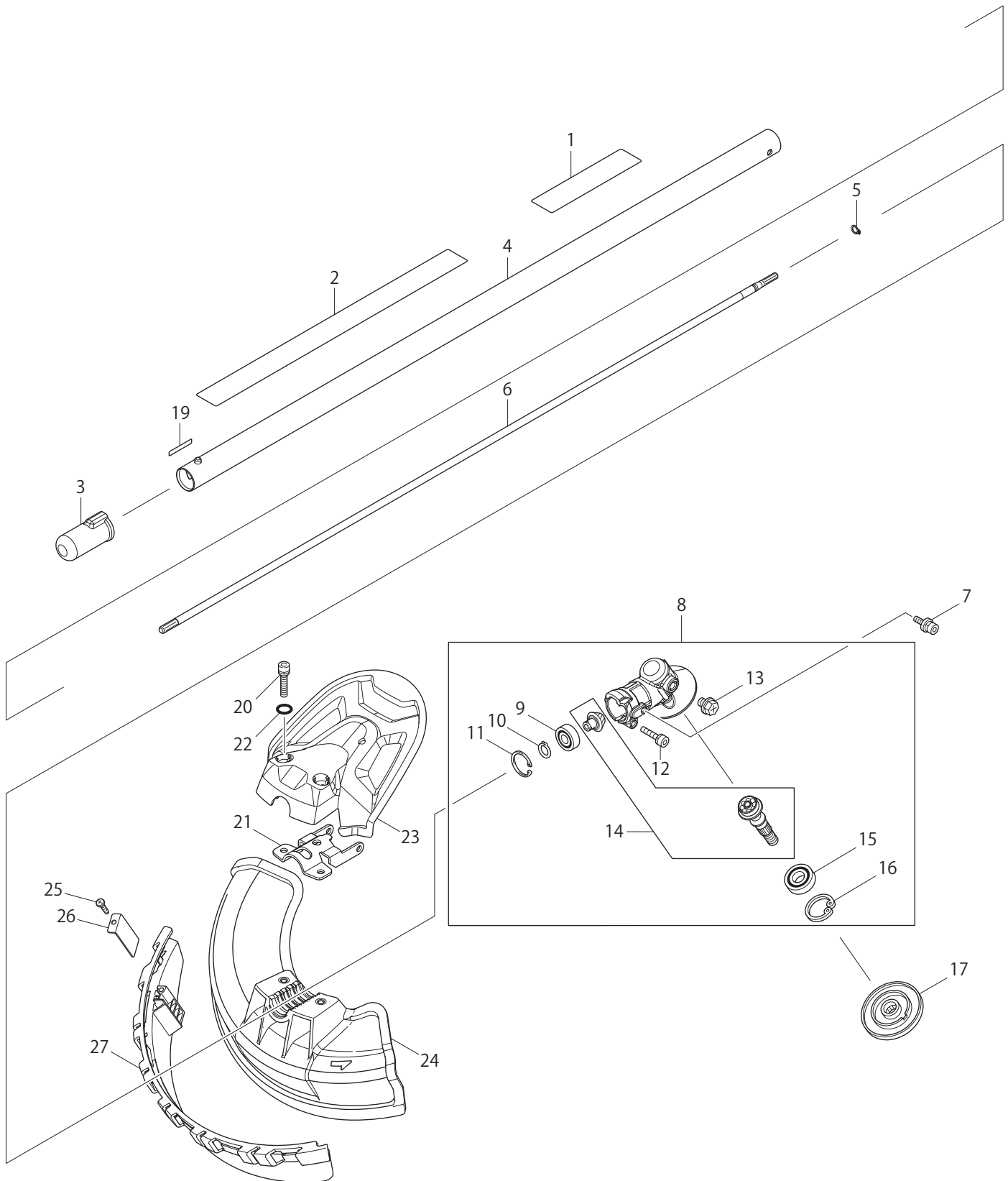




03 - 2013
EM401MP
BRUSHCUTTER/LINE TRIMMER ATTACHMENT



Item N.	Type	Ref	Part No	Description	Qty	Unit
001			819312-8	MAKITA LOGO LABEL	1	PC.
002			898272-7	CAUTION LABEL	1	PC.
003			424434-7	CAP 24	1	PC.
004			141538-7	SHAFT PIPE A COMPLETE	1	PC.
		INC.		INC. 1,2		
005			961003-8	RETAINING RING S-7	1	PC.
006	2		327723-8	SHAFT A	1	PC.
007			922218-2	H.S.H.BOLT M5X14 WITH WR	2	PC.
008			125791-3	GEAR CASE ASSY	1	PC.
		INC.		INC. 9-16		
009			210049-4	BALL BEARING 609ZZ	1	PC.
010			961005-4	RETAINING RING S-9	1	PC.
011			962103-7	RETAINING RING R-24	1	PC.
012			922241-7	HEX. SOCKET HEAD BOLT M5X25	1	PC.
013			265590-2	+HEX.BOLT M8X10 WITH R	1	PC.
014	2		183A00-2	CUTTER SHAFT SET	1	PC.
015			210115-7	BALL BEARING 6001LLU	1	PC.
016			962106-1	RETAINING RING R-28	1	PC.
017			331861-0	RECEIVE WASHER	1	PC.
019			814A82-0	DATE CODE LABEL	1	PC.
020			922353-6	HEX.SOCKET HEAD BOLT M6X30	2	PC.
021			346073-2	PROTECTOR CLAMP	1	PC.
022			213105-9	O RING 11	2	PC.
023			451565-9	PROTECTOR COVER	1	PC.
024			451566-7	PROTECTOR	1	PC.
025			265995-6	TAPPING SCREW 4X18	1	PC.
026			346280-7	CUTTER	1	PC.
027			140583-9	PROTECTOR EXTENSION COMPLETE	1	PC.
		INC.	891041-5	INDICATION LABEL	1	PC.
C01			873248-5	CARTON F/EM401MP	1	PC.
<u>ACCESSORIES</u>						
A01			195149-0	BUMP&FEED HEAD ASSY 4" UN-74L M10X1.25LH	1	PC.
	Opt.		B-02945	ULTRA AUTO 4Y HEAD ASSY LH - Parts Breakdown available	1	PC.
	Opt.		B-05125	ULTRA AUTO 4XL HEAD ASSY LH - Parts Breakdown available	1	PC.
	Opt.		B-02951	TRIMMER HEAD ASSY, MANUAL	1	PC.
A02	Opt.		B-14118	9" BRUSHCUTTER STAR BLADE 4T 1"	1	PC.