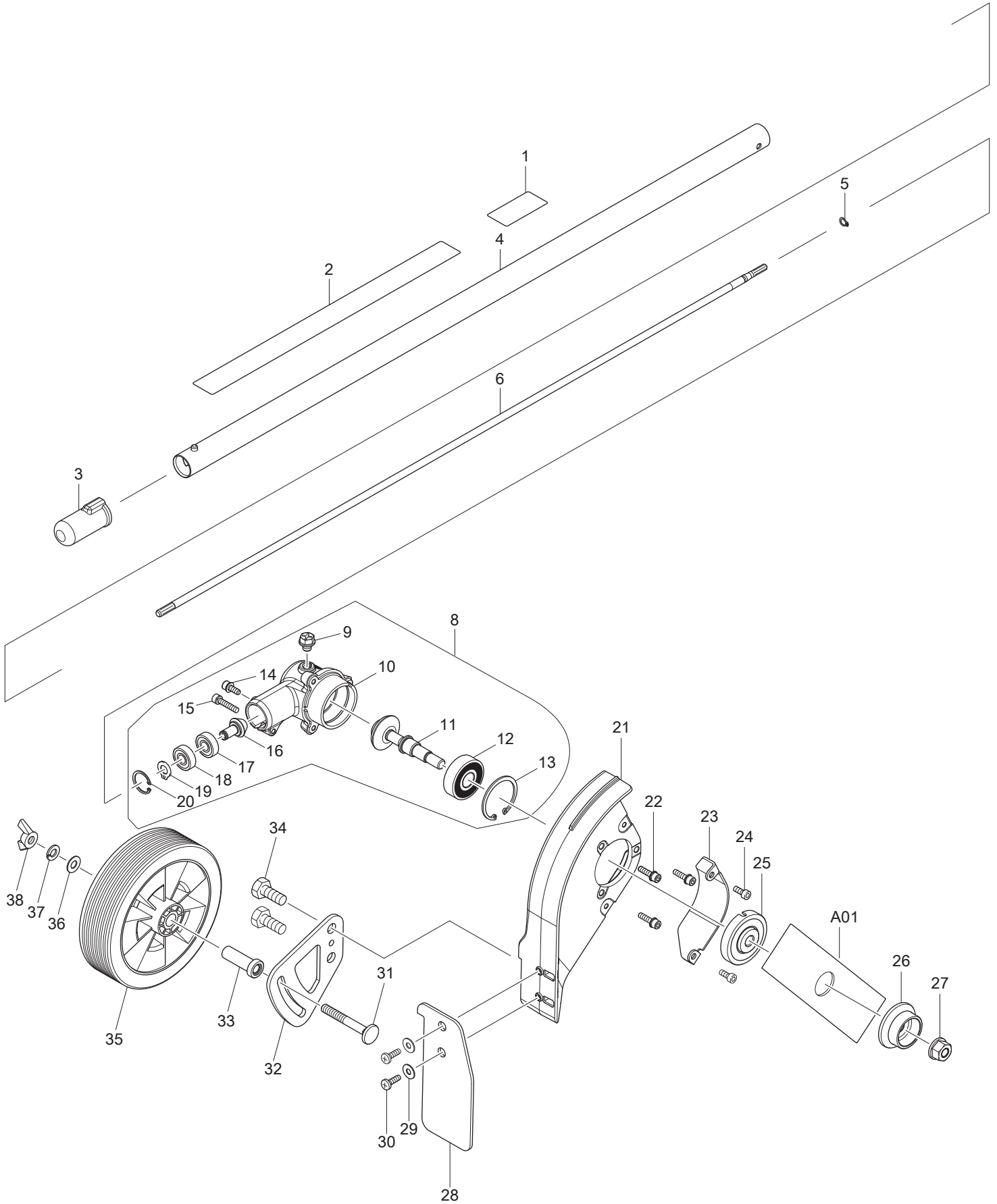




03 - 2014
EE400MP
EDGER ATTACHMENT



Item No	Type	Sub	Part No	Description	Qty	Unit
001			893670-0	MAKITA LOGO LABEL	1	PC.
002			803G36-8	CAUTION LABEL	1	PC.
003			424434-7	CAP 24	1	PC.
004			142561-5	SHAFT PIPE A COMPLETE	1	PC.
		INC.		Item No. 2		
		INC.	819K86-7	CAUTION LABEL (Added)	1	PC.
005			961003-8	RETAINING RING S-7	1	PC.
006			326088-5	SHAFT A	1	PC.
007			814A82-0	DATE CODE LABEL	1	PC.
		INC.		Item No. 9-13,15-20		
008			126414-6	GEAR CASE ASS'Y	1	PC.
009			265590-2	+HEX.BOLT M8X10 WITH R	1	PC.
010			319102-4	GEAR CASE	1	PC.
011			126415-4	CUTTER SHAFT ASS'Y	1	PC.
012			211231-8	BALL BEARING 6302DDW	1	PC.
013			962201-7	RETAINING RING (INT) R-42	1	PC.
014			922218-2	H.S.H.BOLT M5X14 WITH WR	1	PC.
015			922241-7	HEX. SOCKET HEAD BOLT M5X25	1	PC.
016			227629-9	SPIRAL BEVEL GEAR 14	1	PC.
017			210049-4	BALL BEARING 609ZZ	1	PC.
018			210049-4	BALL BEARING 609ZZ	1	PC.
019			961005-4	RETAINING RING S-9	1	PC.
020			962103-7	RETAINING RING R-24	1	PC.
021	1		319103-2	BLADE CASE	1	PC.
	2		319835-1	BLADE CASE	1	PC.
022			922233-6	HEX SOCKET HEAD BOLT M5X20	3	PC.
023	1		346759-8	GUARD PLATE	1	PC.
	2		347557-3	GUARD PLATE	1	PC.
024			266874-1	H.S.H.BOLT M5X14	2	PC.
025	1		326382-5	RECEIVE WASHER	1	PC.
	2		326734-0	RECEIVE WASHER	1	PC.
026			326381-7	CLAMP	1	PC.
027			264025-0	HEX. NUT M10-17	1	PC.
028			424615-3	DEFLECTOR	1	PC.
029			253804-1	FLAT WASHER 6	2	PC.
030			266027-2	TAPPING SCREW CT5X16	2	PC.
031	1		266876-7	* C.H.SQUARE NECK BOLT M8X62	1	PC.
	2		266937-3	* C.H.SQUARE NECK BOLT M8X64	1	PC.
032			346758-0	PLATE	1	PC.
033			257821-3	SLEEVE 8	1	PC.
034			921542-0	HEX. BOLT M10X25	2	PC.
035			454843-6	WHEEL	1	PC.
036			941201-0	FLAT WASHER 8	1	PC.
037			942201-3	SPRING WASHER 8	1	PC.
038			934401-9	WING NUT M8	1	PC.
039			234355-3	* RING SPRING 5	1	PC.

ACCESSORIES

A01			196745-7	EDGER BLADE SET	1	PC.
-----	--	--	----------	-----------------	---	-----

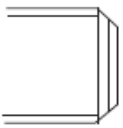
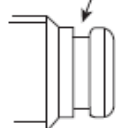
SERVICE CHANGES

1. Changes on Gear housing complete, Grip, M4x16 Hex socket head bolt

(TI#A6017)

Item No.	Description	Type 1	Type 2
31	C.H.SQUARE NECK BOLT M8X62 > C.H.SQUARE NECK BOLT M8X64	266876-7	266937-3
39	RING SPRING 5	-----	234355-3

Above parts are completely interchangeable as a set.

Type 1	Type 2
 <p>Threaded end of M8x62 C.H. Square neck bolt</p>	<p>Groove to set Ring spring 5</p>  <p>End of M8x64 C.H. Square neck bolt (2 mm longer than the current because of the modified portion.)</p>