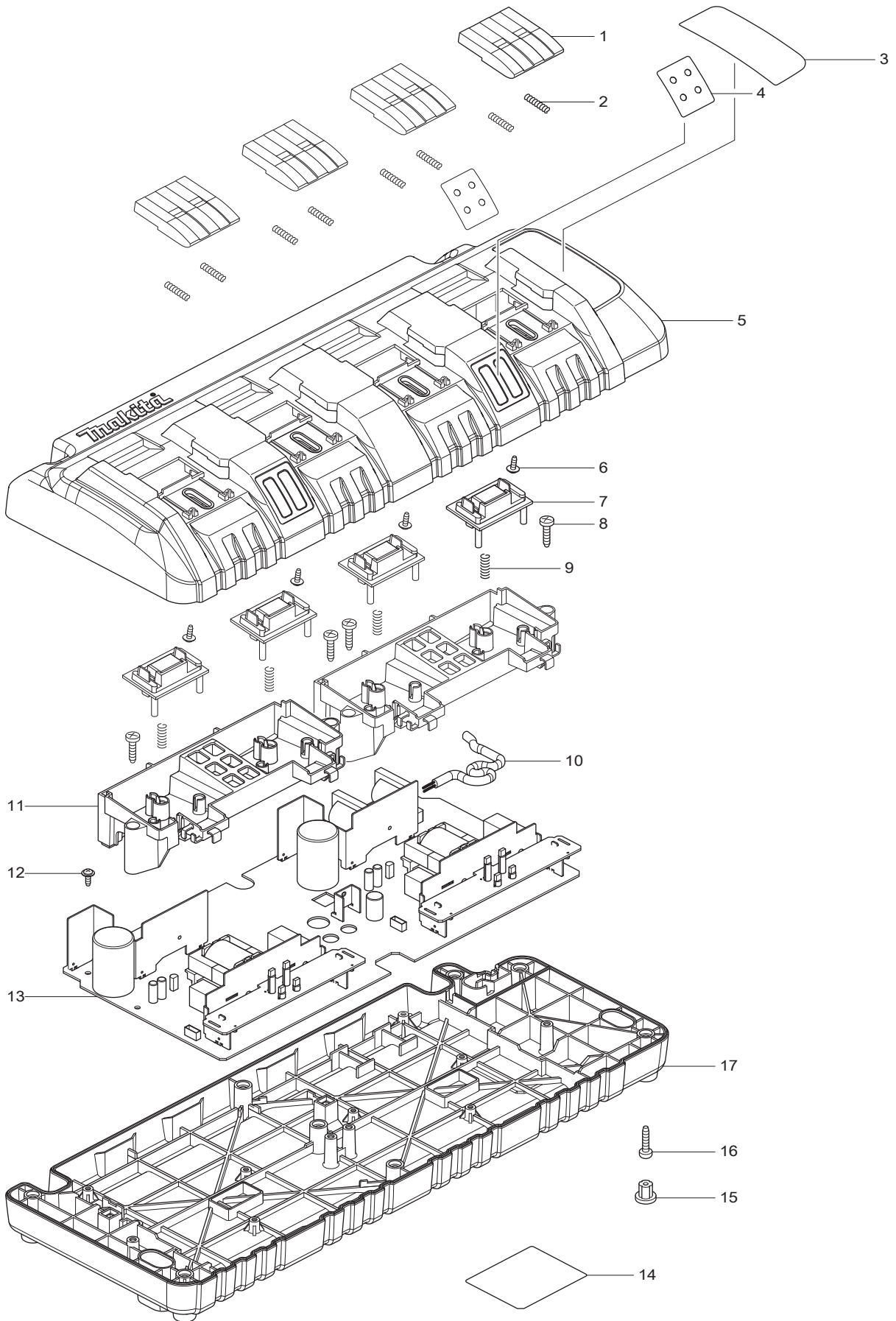




04 - 2013

DC18SF

4 PORT CHARGER DC18SF



Item No	Type	Ref.	Part No	Description	Qty	Unit
001			454262-6	TERMINAL COVER (Transparent)	4	PC.
002			231474-6	COMPRESSION SPRING 4	8	PC.
003			801K88-7	CHARGING CONDITION LABEL	1	PC.
004			801M82-1	INDICATION LABEL	2	PC.
005			141900-6	CHARGER CASE COMPLETE	1	PC.
006			266278-7	TAPPING SCREW FLANGE BT3X10	4	PC.
007			632B34-3	TERMINAL UNIT	4	PC.
008	2		265B01-9	TAPPING SCREW BT 4X20	4	PC.
009			233194-8	COMPRESSION SPRING 4	4	PC.
010			667982-5	VINYL CORD #18-2-2.0	1	PC.
011			454263-4	TERMINAL BASE	2	PC.
012			266278-7	TAPPING SCREW FLANGE BT3X10	8	PC.
013			620190-9	CHARGING CIRCUIT (N/A individually)	1	PC.
		INC.	647321-5	VARISTOR	1	PC.
		INC.	652782-6	FUSE	1	PC.
014			814K86-2	NAME PLATE F/DC18SF	1	PC.
015			286255-3	CAP 13	4	PC.
016	2		265B01-9	TAPPING SCREW BT 4X20	8	PC.
017			454261-8	CHARGER CASE COVER	1	PC.
E01			801K89-5	CAUTION LABEL	1	PC.
E02			810K36-5	CAUTION LABEL	1	PC.
C01			874853-1	CARTON F/DC18SF	1	PC.