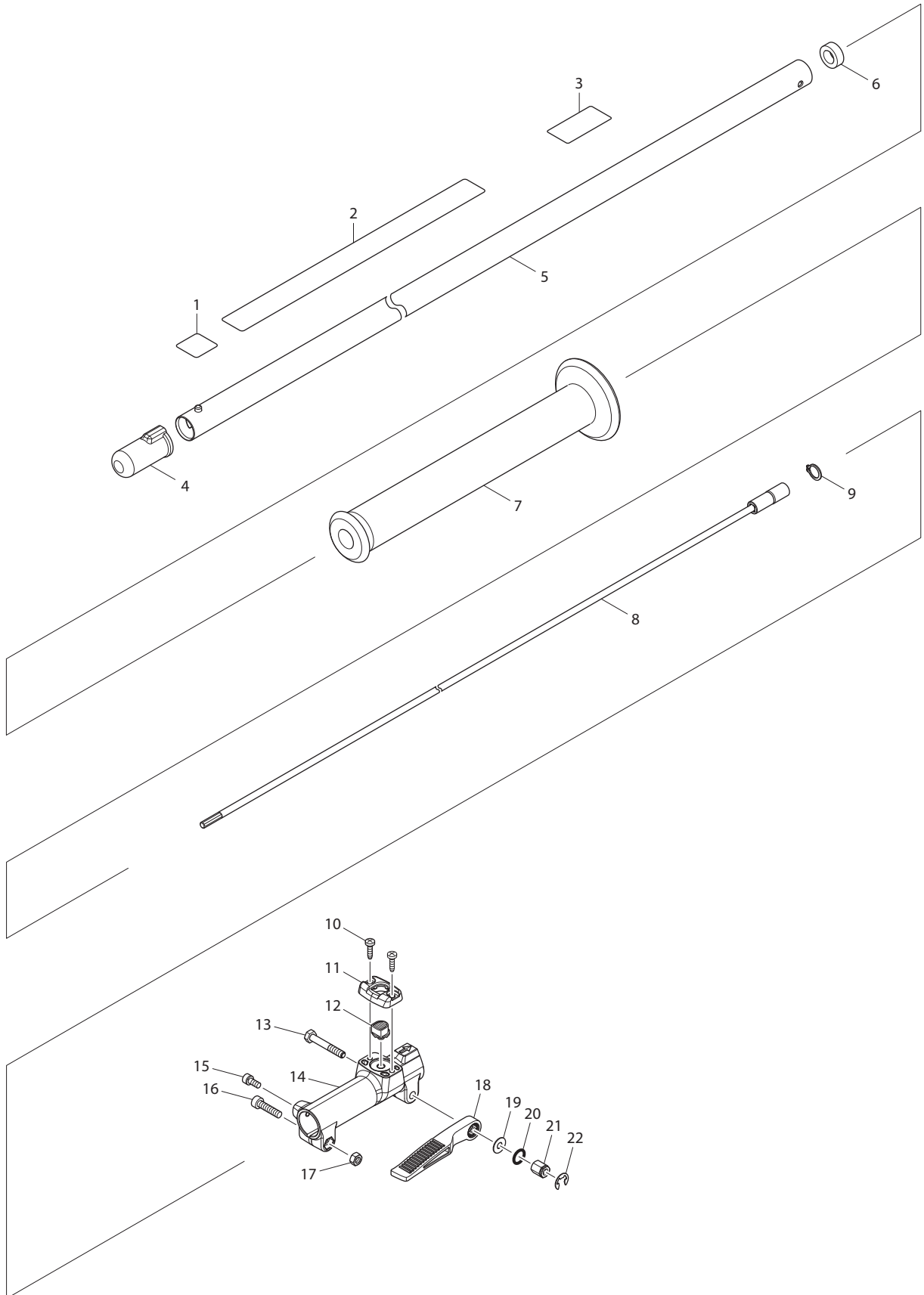




06 - 2012

LE400MP

SHAFT EXTENSION ATTACHMENT SET
(For Model EX2650LH and HXU03ZX2)



Item No.	Type	Sub	Part No.	Description	Qty	Unit
001			800A07-0	INDICATION LABEL	1	PC.
002			800A06-2	CAUTION LABEL, EN	1	PC.
003			893670-0	MAKITA LOGO LABEL	1	PC.
004			424434-7	CAP 24	1	PC.
005	2		141526-4	SHAFT PIPE C COMPLETE	1	PC.
		INC.	163525-6	LEAF SPRING COMPLETE	1	PC.
	3		140T35-0	SHAFT PIPE C COM.	1	PC.
		INC.	163525-6	LEAF SPRING COM.	1	PC.
		INC.		Item No. 7		
006			443181-1	FELT RING 13	1	PC.
007	1		273668-7	GRIP 40	1	PC.
	2		422561-4	GRIP 33	1	PC.
008			141527-2	SHAFT C COMPLETE	1	PC.
009			961052-5	RETAINING RING S-12	1	PC.
010			266034-5	TAPPING SCREW CT 4X16	2	PC.
011			452840-6	RELEASE BUTTON COVER	1	PC.
012			452839-1	RELEASE BUTTON	1	PC.
013			265596-0	HEX.BOLT M6X40	1	PC.
014			318750-6	JOINT 24	1	PC.
015			922211-6	HEX. SOCKET HEAD BOLT M5X12	1	PC.
016			922342-1	HEX. SOCKET HEAD BOLT M6X25	1	PC.
017			931302-2	HEX. NUT M6	1	PC.