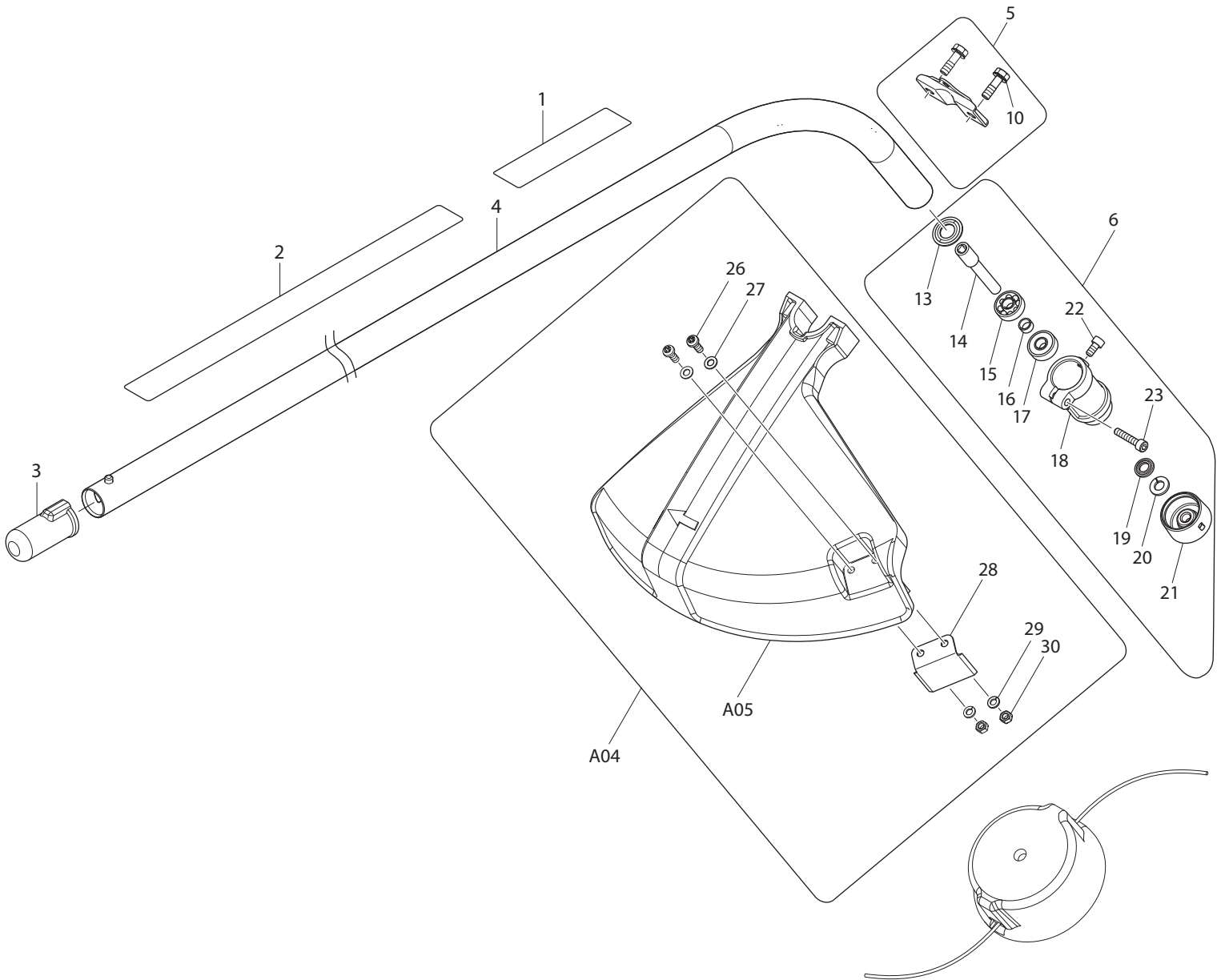




03 - 2012
ER400MP
Curved Shaft Line Trimmer
(For EX2650LH)



Item No.	Type	Sub	Part No.	Description	Qty	Unit
001			893670-0	MAKITA LOGO LABEL	1	PC.
002			893779-8	CAUTION LABEL	1	PC.
003			424434-7	CAP 24	1	PC.
004			126063-9	BENT PIPE ASSEMBLY	1	PC.
005			141014-1	CLAMP COMPLETE	1	PC.
006	2		141894-5	HEAD CASE COMPLETE	1	PC.
		INC.		Item No. 14-21, 23		
010			266775-3	HEX BOLT M6X20 WR - N/L/A as individually	2	PC.
013			267845-1	BEARING WASHER	1	PC.
014			326195-4	CUTTER SHAFT	1	PC.
015			211368-1	BALL BEARING 608ZZ	1	PC.
016			257335-2	COLLAR	1	PC.
017			211367-3	BALL BEARING 608DDW	1	PC.
018			318900-3	HEAD CASE	1	PC.
019			267844-3	WASHER	1	PC.
020			267846-9	SPRING WASHER M8	1	PC.
021			318901-1	CUTTER HOLDER	1	PC.
022			922207-7	HEX. SOCKET HEAD BOLT M5X10	1	PC.
023			922242-5	HEX. SOCKET HEAD BOLT M5X25	1	PC.
026			266776-1	SCREW M5X14	2	PC.
027			267842-7	WASHER M5	2	PC.
028			346612-8	CUTTER	1	PC.
029			267843-5	SPRING WASHER M5	2	PC.
030			264079-7	NUT M5	2	PC.
100			256530-1	PIN 4 (For Item No.A01, Cutter Assembly)	1	PC.

ACCESSORIES

- See catalogue or visit www.makita.ca for more optional accessories -

A01			122980-1	BUMP&FEED 4 HEAD ASSY RH	1	PC.
		INC.	141329-6	HOUSING COMPLETE	1	PC.
		INC.	234229-8	COMPRESSION SPRING 13	1	PC.
		INC.	318816-2	EYE LET	2	PC.
		INC.	318848-9	NUT M8	1	PC.
		INC.	453227-5	COVER	1	PC.
		INC.	453228-3	BOBBIN	1	PC.
		INC.	-----	NYLON CORD - N/A as individually	1	PC.
A03			782233-6	BOX DRIVER 10-16	1	PC.
A04			141015-9	PROTECTOR COMPLETE	1	PC.
		INC.		Item No. A05, 26-30		
A05			453782-7	SAFETY COVER	1	PC.
A06			A-89193	NYLON CODE, DIA 2.4MMX3M	1	PC.
A06			B-01971	NYLON CORD, DIA 2.4MMX5M	1	PC.