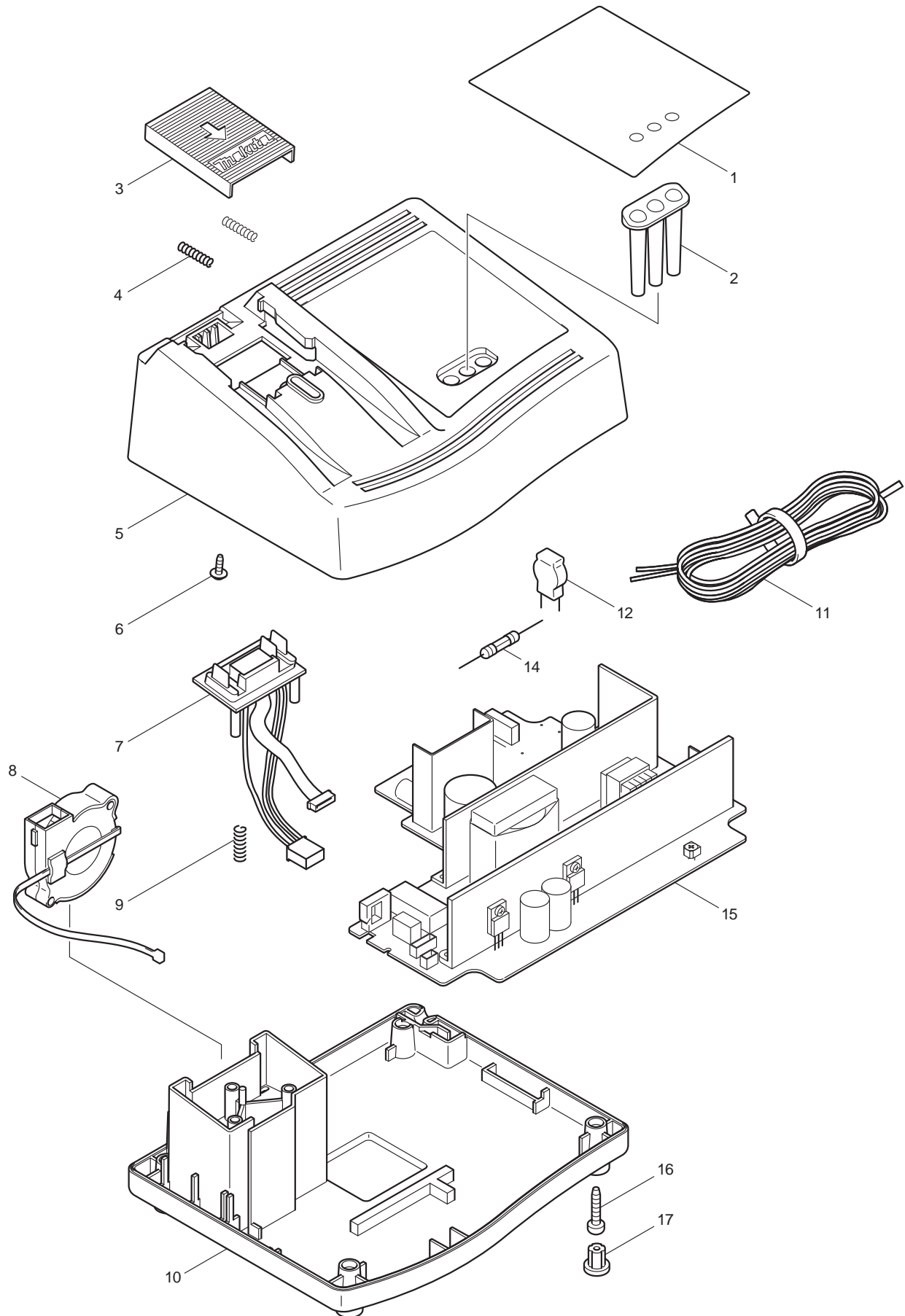




09 - 2008
DC24SC CHARGER
(FOR 7.2-24V, 1.3-3.3AH BATTERY)



Item No	Type	Ref	Part No	SC Description	Qty	Unit
001			803399-0	CHARGING CONDITION LABEL	1	PC.
002			418278-5	ACRYRIC PIN	1	PC.
003			418181-0	TERMINAL COVER	1	PC.
004			231474-6	COMPRESSION SPRING 4	2	PC.
005			188060-3	CHARGER CASE SET	1	SET
005		INC.	*****	Item No. 1, 2	1	PC.
006			266278-7	TAPPING SCREW FLANGE BT3X10	1	PC.
007			638418-1	TERMINAL UNIT	1	PC.
008			638499-5	SCIROCCO FAN	1	PC.
009			233194-8	COMPRESSION SPRING 4	1	PC.
010			418891-9	CHARGER CASE COVER	1	PC.
011			667982-5	VINYL CORD #18-2-2.0	1	PC.
012			647321-5	VARISTOR	1	PC.
014			652782-6	FUSE	1	PC.
015			631837-0	CHARGING CIRCUIT	1	PC.
015		INC.	*****	Item No. 12,14	1	PC.
016	2		265B01-9	TAPPING SCREW BT 4X20	4	PC.
017			286255-3	CAP 13	4	PC.
E01			810448-6	CAUTION LABEL	1	PC.