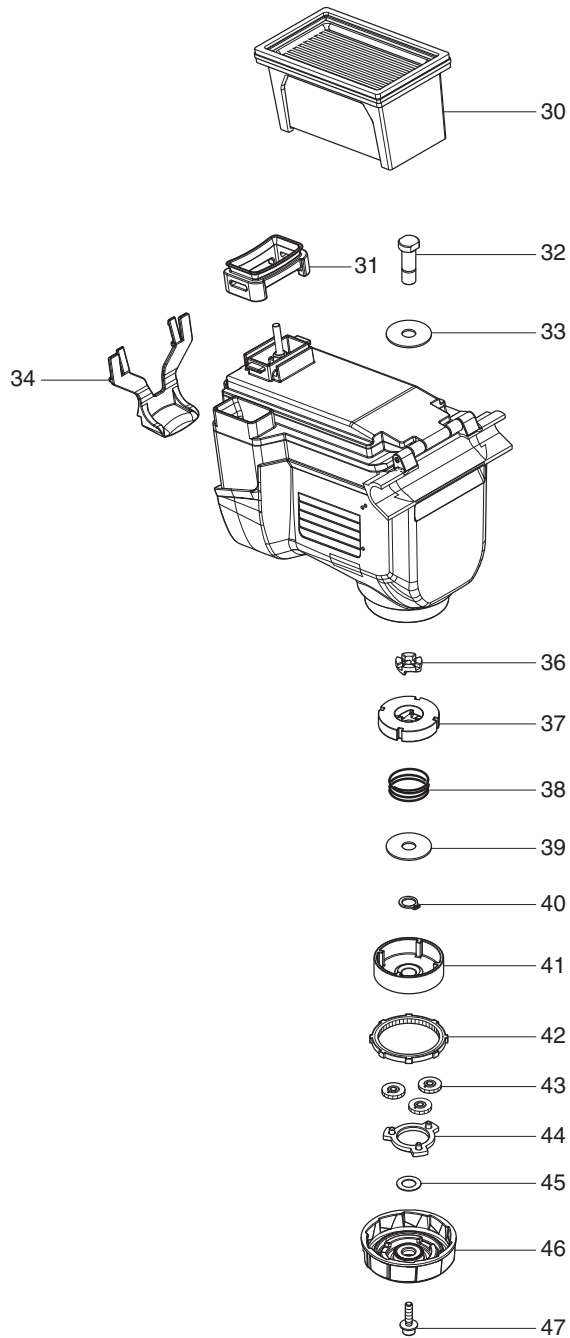


28



Item No.	Type	Sub	Part No.	Description	Qty	Unit
001			459207-9	FITTING RUBBER	1	PC.
002			459206-1	SEALING CAP	1	PC.
003			459205-3	COLLECTOR	1	PC.
004			251568-1	H.S.H.BOLT M3X12 WITH WR	2	PC.
005			459193-4	COLLECTOR BASE A	1	PC.
006			347505-2	STOPPER	1	PC.
007			327278-3	SLIDE PIPE	1	PC.
008			459196-8	RACK	1	PC.
009			263002-9	RUBBER PIN 4	1	PC.
010			140R30-8	END STOPPER ASSEMBLY	1	PC.
		INC.		Item No. 9		
011			251568-1	H.S.H.BOLT M3X12 WITH WR	2	PC.
012			245045-3	HOSE 30	1	PC.
013			459195-0	LOCK BUTTOM	2	PC.
014			232504-6	COMPRESSION SPRING 4	2	PC.
015			459194-2	SLIDE BASE	2	PC.
016			818U63-6	CLEAR LABEL	1	PC.
017			856V52-9	DX10 NAME PLATE	1	PC.
018			266326-2	TAPPING SCREW 4X18	5	PC.
019			183R37-1	HOUSING SET	1	SET
		INC.	459204-5	SPONGE SHEET B	1	PC.
020			459202-9	CUSHION	2	PC.
021			459191-8	LOCK LEVER	1	PC.
022			232505-4	COMPRESSION SPRING 7	1	PC.
023			266326-2	TAPPING SCREW 4X18	2	PC.
024			347503-6	SLIDE RAIL	1	PC.
025			266421-8	TAPPING SCREW 3X10	4	PC.
026			347504-4	PLATE	1	PC.
028			191F50-3	DUST CASE SET	1	PC.
		INC.		Item No. 30-47		
030			199557-7	HEPA FILTER	1	PC.
031			459201-1	JOINT CUSHION	1	PC.
032			327221-2	SHAFT	1	PC.
033			253431-4	FLAT WASHER 8	1	PC.
034			453148-1	RELEASE LEVER	1	PC.
036			310918-0	CAM	1	PC.
037			310919-8	HAMMER	1	PC.
038			232482-0	COMPRESSION SPRING 21	1	PC.
039			253431-4	FLAT WASHER 8	1	PC.
040			961004-6	RETAINING RING S-8	1	PC.
041			226856-5	SUPER GEAR 17	1	PC.
042			226857-3	INTERNAL GEAR 49	1	PC.
043			226855-7	SUPER GEAR 15	3	PC.
044			140F90-8	CARRIER COMPLETE	1	PC.
045			253430-6	FLAT WASHER 8	1	PC.
046			140H88-7	DIAL COMPLETE	1	PC.
		INC.	422431-7	SPONGE SHEET	1	PC.
047			922129-1	H.S.H.BOLT M4X16 WITH WG	1	PC.
048			136331-2	SLIDE PIPE ASSY	1	PC.
		INC.		Item No. 1-15,24		

ACCESSORIES

- Visit www.makita.ca for more accessories information -

A01			459206-1	SEALING CAP	5	PC.
-----	--	--	----------	-------------	---	-----