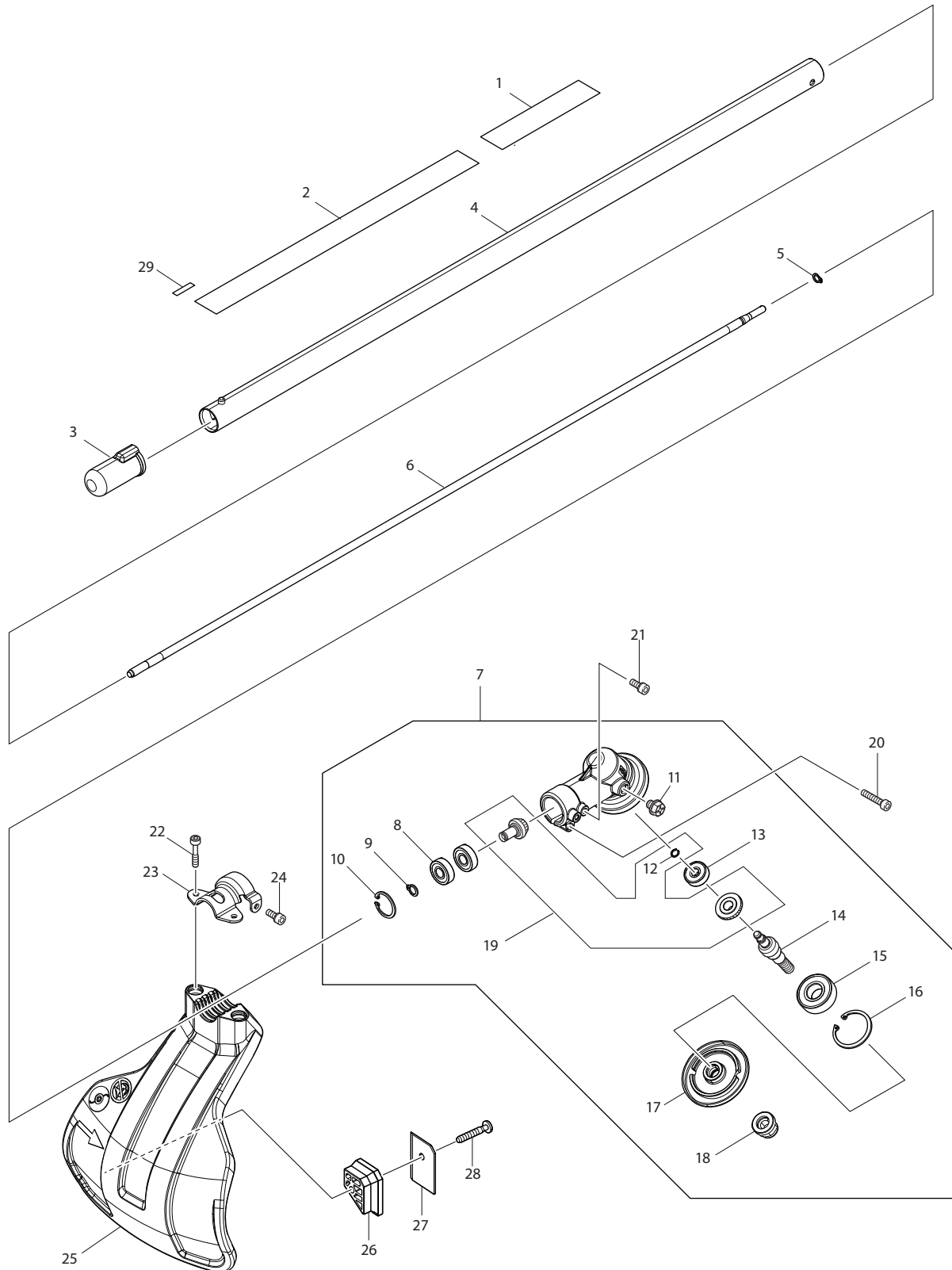




07 - 2017
EM405MP

Line Trimmer Attachment, narrow guard



Item No.	Type	Sub	Part No.	Description	Qty	Unit
1			819312-8	MAKITA LOGO LABEL	1	PC
2			813M13-8	CAUTION LABEL	1	PC
3			424434-7	CAP 24	1	PC
4			141010-9	SHAFT PIPE A COMPLETE	1	PC
5			961003-8	RETAINING RING S-7	1	PC
6			326088-5	SHAFT A	1	PC
7			123975-7	GEAR CASE ASSEMBLY US	1	PC
		INC.		Item No. 8-11,13-19		
8			210049-4	BALL BEARING 609ZZ	2	PC
9			257986-1	RETAINING RING (EXT) S-9	1	PC
10			257987-9	RETAINING RING (INT)R-24	1	PC
11			265590-2	+HEX.BOLT M8X10 WITH R	1	PC
12			232350-7	RING SPRING 6	1	PC
13			210030-5	BALL BEARING 627ZZ	1	PC
14			326853-2	CUTTER SHAFT	1	PC
15			211228-7	BALL BEARING 6202DDW	1	PC
16			257432-4	RETAINING RING R-35	1	PC
17			144312-2	RECEIVE WASHER COMPLETE	1	PC
18			252236-9	HEX. LOCK NUT M10-17	1	PC
19			183J06-4	SPIRAL BEVEL GEAR SET	1	PC
		INC.		Item No. 12		
20			922242-5	HEX. SOCKET HEAD BOLT M5X25	1	PC
21			922216-6	HEX. SOCKET HEAD BOLT M5X14	1	PC
22			251513-6	H.S.H.BOLT M5X25	2	PC
23			347107-4	PROTECTOR CLAMP 24	1	PC
24			922216-6	HEX. SOCKET HEAD BOLT M5X14	1	PC
25			457273-0	PROTECTOR N 420-450	1	PC
26			457794-2	CUTTER EXTENSION	1	PC
27			347115-5	CUTTER	1	PC
28			266553-1	TAPPING SCREW 5X30	1	PC
29			814A82-0	DATE CODE LABEL	1	PC
<u>ACCESSORIES</u>			- Visit www.makita.ca for more accessories information -			
A01			782238-6	BOX WRENCH 17	1	PC