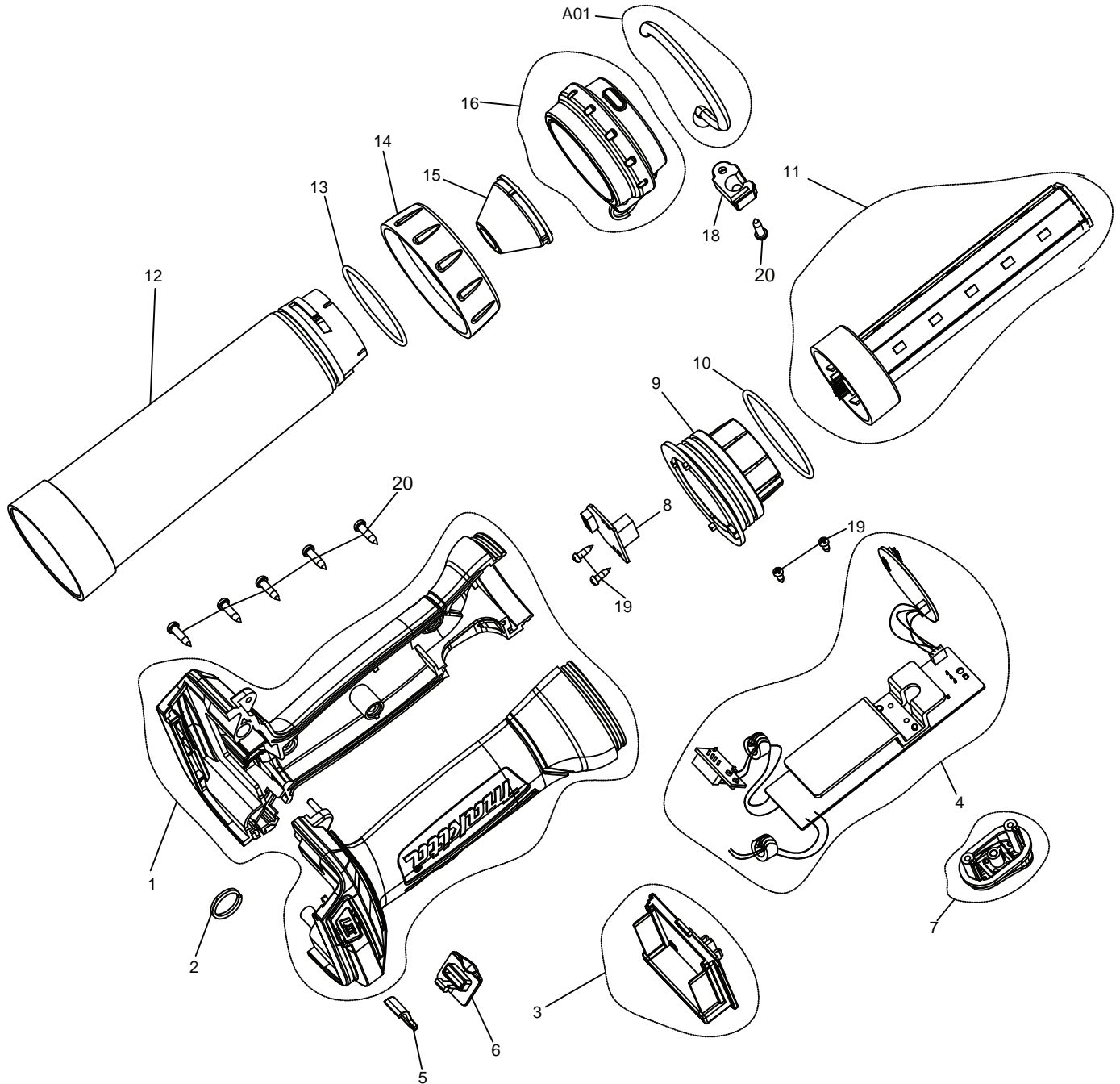




10 - 2015

DML807

14.4/18.8V LED Flashlight w/USB Port



Item No.	Type	Sub	Part No.	Description	Qty	Unit
1	1		GM00001456	HOUSING SET	1	SET
		2	GM00001669	HOUSING SET (USB SWITCH TYPE)	1	SET
2			SM00000190	RING	1	PC.
3			GM00001457	BATTERY HOLDER	1	PC.
4	1		GM00001458	MAIN+USB PCBA ASSY	1	PC.
		2	GM00001670	MAIN+USB PCBA ASSY (USB SWITCH TYPE)	1	PC.
5			GM00001459	METAL STRAP HOOK	1	PC.
6			GM00001460	USB RUBBER COVER	1	PC.
7			GM00001461	SWITCH HOLDER ASSY	1	PC.
8			GM00001462	FEMALE SOCKET PCBA	1	PC.
9			GM00001463	LAMP HOLDER	1	PC.
10			GM00001464	O-RING (CAP)	1	PC.
11			GM00001465	LED LAMP TUBE ASSY	1	PC.
12			GM00001466	DIFFUSING CAP	1	PC.
13			GM00001467	O-RING	1	PC.
14			GM00001468	LOCK RING	1	PC.
15			GM00001469	REFLECTOR	1	PC.
16			GM00001470	BEZEL ASSY	1	PC.
18			GM00001472	HOOK BALL COVER	1	PC.
19			GM00001395	SCREW 2.6X8PB	4	PC.
20			GM00001024	SCREW 3X12	6	PC.
21	2		GM00001713	USB SWITCH BUTTON (USB SWITCH TYPE)	1	PC.
22	2		GM00001672	HEAT TRANSFER PAD (USB SWITCH TYPE)	1	PC.
23	2		GM00001673	USB SWITCH PCB A (USB SWITCH TYPE)	1	PC.

ACCESSORIES

- Visit www.makita.ca for more accessories information -

A01			GM00001471	HOOK ASSY	1	PC.
A03			---	BATTERY CHARGER		
A04			---	14.4V/18V LI-ION BATTERY		
A05			---	LI-ION BATTERY ACCESSORIES		

SERVICE NOTE

Type 1 and Type 2 (Parts for USB Switch Type) are completely interchangeable as a set. (T/I# Y07311)