





# 6-1/2" Sub-Compact Cordless Circular Saw with AWS DHS661ZB



Photo: DHS661

## Compact and Lightweight



Predecessor Model	DHS661 / DHS660
13-3/4"	10-5/8"
	
3-1/8" Shorter	

# Compact with Only 270 mm (10-5/8") Length for Better Maneuverability

Net weight  
**6.4lbs**  
with BL1815N



## Dust nozzle

is attachable for connecting to vacuum cleaner.



## Rear dust exhaust port

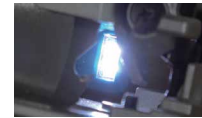


## Work amount

Test material:  
SPF of 2 x 10 (38mm x 235mm)  
Bevel angle: 0°  
Battery: BL1850B  
(on a single full battery charge)

**200 cuts**

## Twin LED Job light



## Blower function



## Flat motor housing design

Increases stability when changing blades.



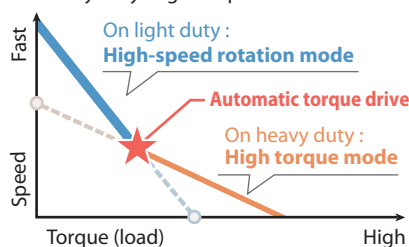
## Bevel cuts up to 50 degrees



## ADT Automatic torque Drive Technology

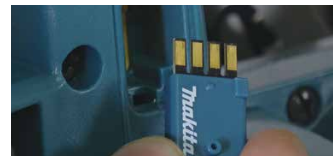
automatically changes the cutting speed according to load conditions for an optimum operation:

- On light duty: high-speed rotation mode
- On heavy duty: high torque mode



## AWS Auto-start Wireless System

The wireless activation function enables clean and comfortable operation. By connecting a supported tool to the cleaner, you can run the cleaner automatically along with the switch operation of the tool.



Wireless unit is compatible with all supported tools

## Bluetooth® AWS connects to power tool with Bluetooth

The Bluetooth® word mark and logos are registered trademarks owned by the Bluetooth SIG, Inc. and any use of such marks by Makita is under license. Other trademarks and trade names are those of their respective owners.

## Accessories

### Dust Nozzle

Part No.  
199230-9



### Guide rail adapter set

Part No.  
199232-5



### Tool hanger

Part No.  
199231-7



## 6-1/2" Sub-Compact Cordless Circular Saw with AWS

### DHS661ZB

Brake	<b>Battery Capacities</b>	18V Li-Ion
Soft Start	<b>Blade Diameter</b>	6-1/2" (165 mm)
Dust Collection	<b>Arbor</b>	5/8" (15.88 mm)
Built-in Job Light	<b>Max. Cutting Depth:</b>	0°: 2-1/4" (57 mm) 45°: 1-5/8" (41 mm) 50°: 1-7/16" (37 mm)
	<b>No Load Speed</b>	5,000 RPM
	<b>Overall Length</b>	10-5/8" (270 mm)

**Standard Equipment: Tool Only. Battery and Charger Sold Separately.**  
6-1/2" C.T. Blade 24T (A-85092), Guide Rule (164095-8), Dust Nozzle Set (199230-9)

When QUALITY & SERVICE COUNTS – Choose Makita  
makita.ca