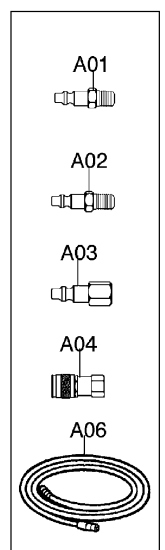
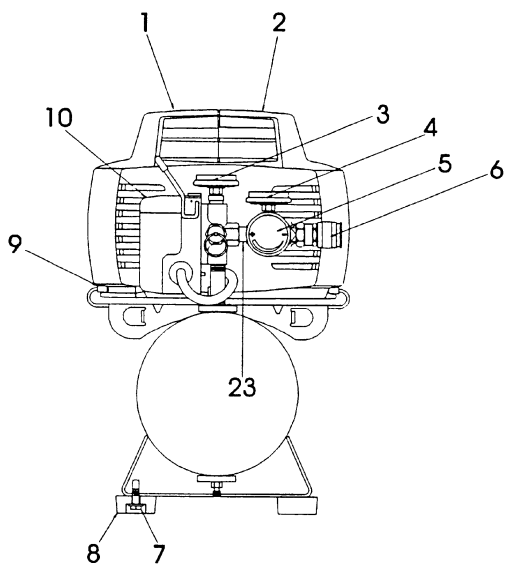
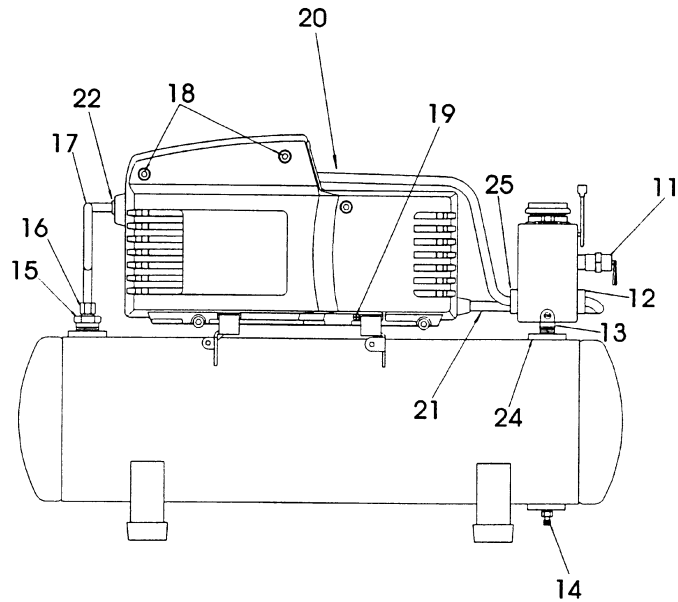




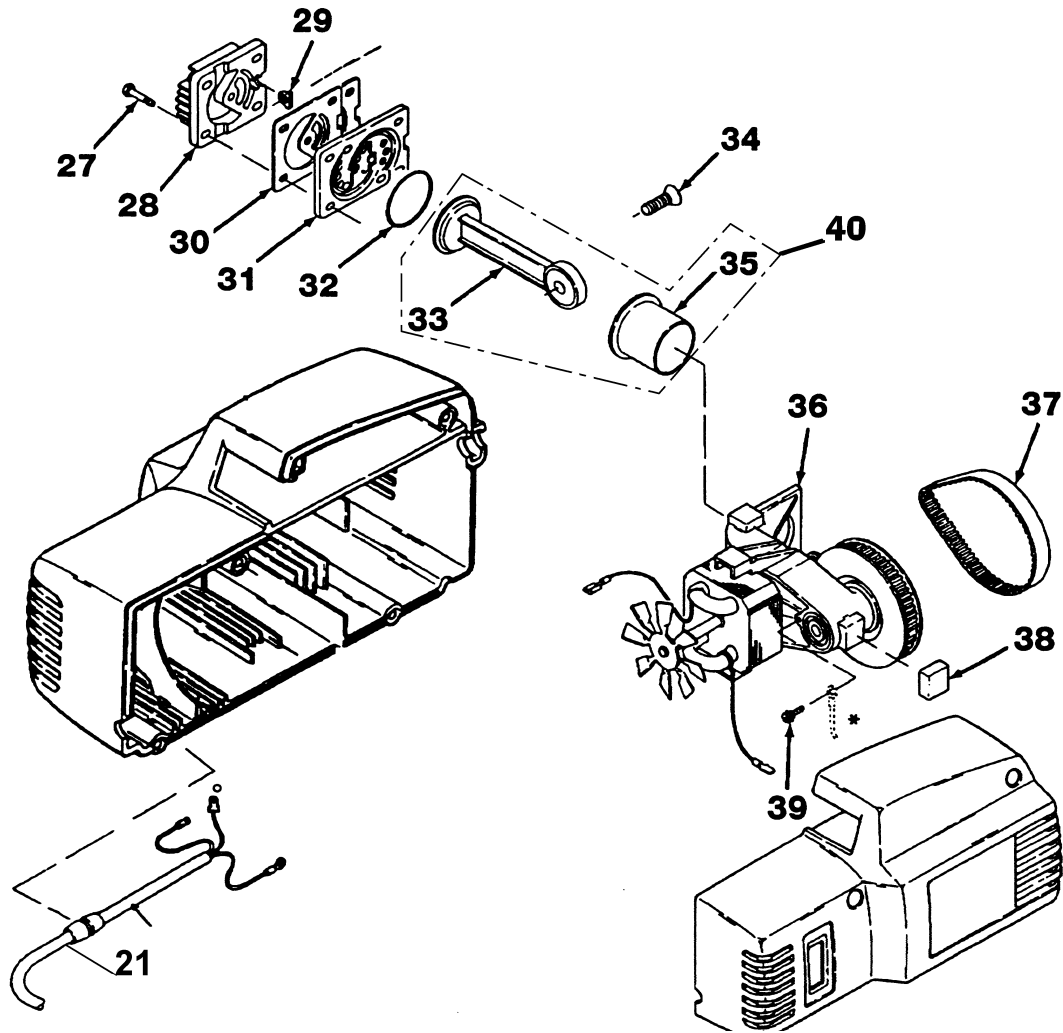
**1.5 HP 3.0 Gal COMPRESSOR**  
(Old Type 1.0 HP 2.5Gal)

**Model MAC500**



Item No.	Part No.	No. Used	Description	Item No.	Part No.	No. Used	Description
1	AC-0471	1	Left Shroud (Old AC-0473)	19	SSF-621	2	Screw (N/A)
2	AC-0472	1	Right Shroud	20	SUDL-403-1	1	Power Cord
3	AC-0266	1	Gauge - Tank Pressure	21	AC-0474	1	Motor Cord
4	AC-0266	1	Gauge - Regulator Pressure	22	AC-0206	1	Tube Isolator
5	CAC-4296-1	1	Regulator	23	SS-1286	1	Nipple 1/4" - 18
6	YY036003-1	1	Quick Connect (Old AC-0173)	24	SSP-6021	1	Reducer Bushing
7	91895680	4	Bolt, Rubber Bumper (Old SSF-607)	25	SSW-7480	1	Strain Relief Bushing
8	SST-5314-1	4	Bumper, Rubber	<b>Accessories</b>			
9	CAC-1254	1	Isolator, Pump	A01	YY036003-A	1	Quick Connect 1/4" X 1/4" Male
10	DAC-4105-2	1	Pressure Switch (Old DAC-4105-1)	A02	YY36003-1	1	Quick Connect 1/4" x 3/8" Male
	CAC-359	1	Pressure Switch Cover	A03	YY311002-X	1	Quick Connect 1/4" x 1/4" Female
11	TIA-4150	1	Safety Valve	A04	YY311018-A	1	Universal Air Coupler 1/4" x 1/4" Female
12	SSW-7367	1	Strain Relief Bushing	A06	YYVAH25	1	3/8" x 25' P.V.C. Air Hose
13	AC-0248	1	Nipple 1/4" NPT x 2.5"		YYVAH50	1	3/8" x 50' P.V.C. Air Hose
14	AC-0430	1	Drain Valve		YYRAH25	1	3/8" x 25' Rubber Air Hose
15	D24879	1	Check Valve (Old CAC-1275)		YYRAH50	1	3/8" x 50' Rubber Air Hose
16	SSP-473	1	Nut/Sleeve Assy		YYRAH100	1	3/8" x 100' Rubber Air Hose
17	AC-0161	1	Outlet Tube				
18	SSF-3156	1	Screw				

**AIR TOOL SYSTEM** - Air Tool + A01 or A02 + A04 + A06 + A03 —————> Compressor (Includes Universal Air Coupler 1/4" X 1/4" Male)



Item No.	Part No.	No. Used	Description	Item No.	Part No.	No. Used	Description
21	AC-0474	1	Motor Cord	36	<b>Z-CAC-4130-1</b>	1	Endbell (Motor) Assy (Old) [Includes Carbon Brush - Z-D20041 - (2pcs/Set)]
27	SSF-995	4	Screw #10-24x7/8 LG Hex Head Thd Forming		<b>Z-CAC-4130-2</b>	1	Endbell (Motor) Assy (New) [Includes Carbon Brush - Z-D20041 (2pcs/Set)]
28	CAC-1196	1	Cylinder Head	37	CAC-1342	1	Timing Belt
29	CAC-1212	1	Tube Seal	38	CAC-1213	1	Pump Isolator
30	CAC-1199	1	Head Gasket	39	SUDL-9-1	5	Screw, Ground #8-32x3/8"
31	Z-CAC-4323	1	Valve Plate Assy	40	KK-4964	1	Connecting Rod Kit (Includes Items 33 & 35)
32	SSG-8169	1	O Ring		<b>CAC-1206-1</b>	1	Clamp (Old CAC-1206)
33	----	1	Rod Assy (N/A)	*	K-0387	1	Isolator Kit (Includes Items 7, 8, 9, 19, 29, 30, 32 & 38)
34	SSF-3147	1	Screw 3/8-16x1.25 LG Hex Socket Flat Head	*	KK-4929	1	Fastener Kit (Includes Items 18, 27, 34, & 39)
35	----	1	Cylinder Sleeve (N/A)				