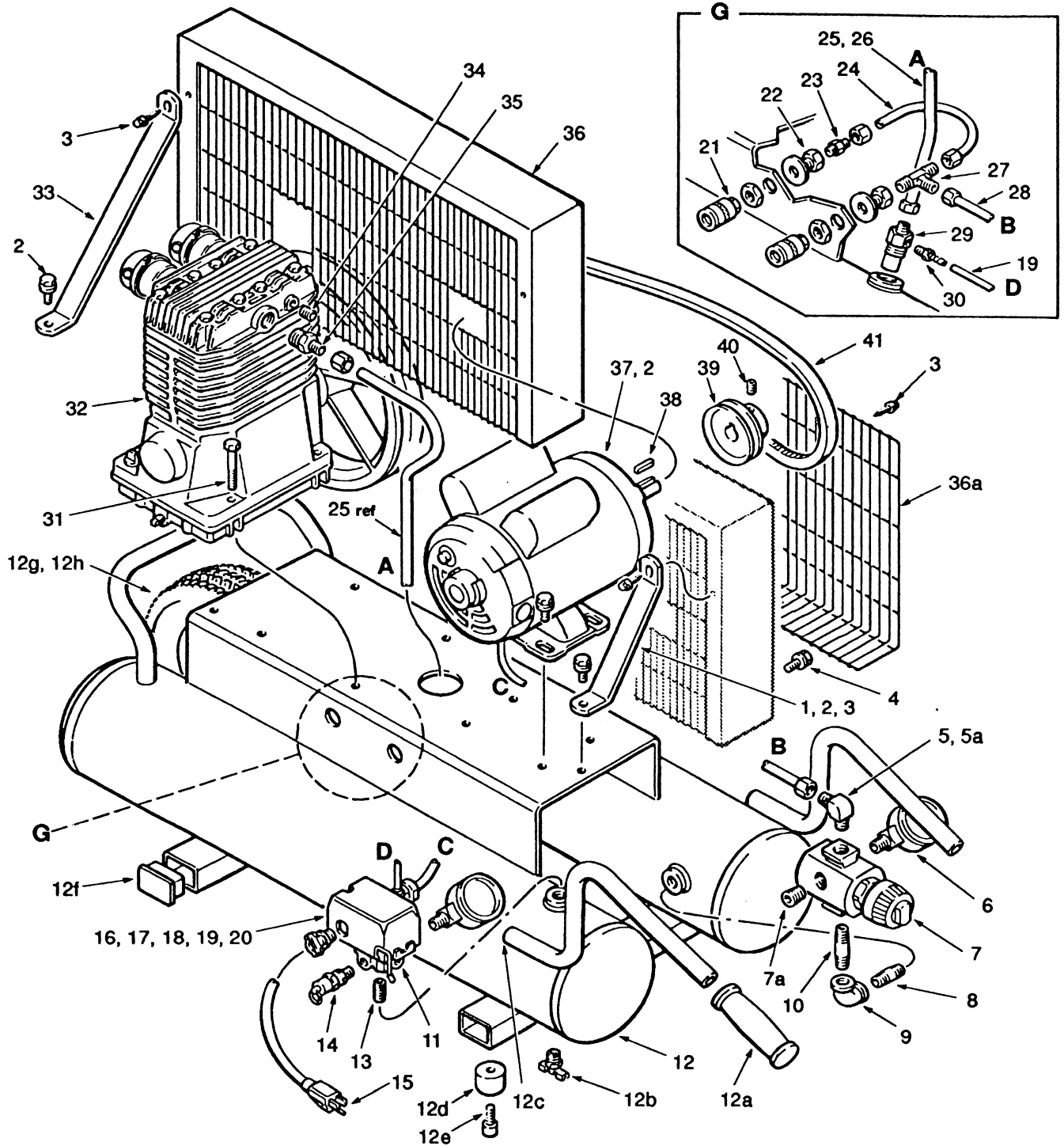


1.5HP TWIN-4GAL COMPRESOR

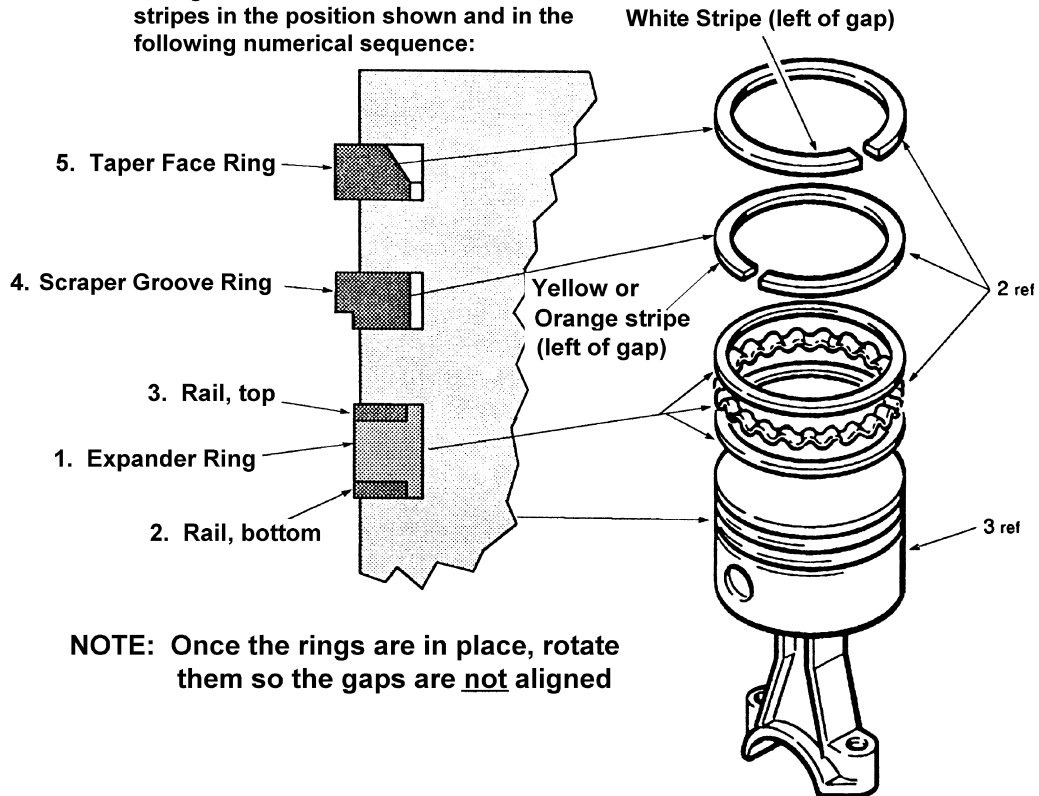
Model MAC3000



Item No.	Part No.	No. Used	Description	Item No.	Part No.	No. Used	Description
1	YY114000-6	1	Bracket	21	YY036003-1	2	Coupler
2	YY059028-4	6	Screw 5/16-18 x .50" lg Black	22	YY036002-9	2	Coupler
3	YY061010-5	10	Screw #10 x .50" lg Black	23	YY068001-7	1	Connector
4	YY059028-6	3	Screw 1/4-20 x .50" lg Black	24	YY145028-0	1	Tube, Regulator/Outlet (At same time order 2 of YY058000-7)
5	YY064000-5	1	Elbow 90° 3/8NPT x 3/8 Tube (Includes Item 5a)	25	YY145025-3	1	Tube Transfer (At same time order 2 of YY058001-6)
5a	YY058000-7	1	Nut, 3/8" O.D. Tube	26	YY058001-6	2	Nut, 1/2" O.D. Tube
6	YY032002-5	2	Gauge	27	YY069001-9	1	Tee, 1/4 NPT x 3/8" O.D. Tube
7	YY019011-5	1	Regulator (Includes item 7a)	28	YY145028-0	1	Tube, Regulator/Outlet B-B (At same time order 2 of YY058000-7)
7a	YY062003-5	1	Plug, Pipe 1/4"	29	031-0060	1	Valve, Check
8	YY065007-5	1	Nipple, 3/8" x 1.50"	30	YY068050-6	1	Connector, Barb
9	YY064003-6	1	Elbow 90° 3/8NPT	31	YY059028-5	4	Screw, 5/16-18 x 2-1/4
10	YY065005-7	1	Nipple, 3/8"NPT x 2.0"	32	040-0311	1	Pump Assy (Old YY040019-6)(For Breakdown - See Page 3)
11	YY062003-5	1	Plug, Pipe 1/4"	33	YY114012-9	1	Bracket
12	YY150003-6	1	Tank Assy, 8 Gal. (Includes Items 12a - 12h)	34	YY062000-1	1	Plug, 1/8 NPT
12a	YY093002-7	2	Grip, Handle	35	YY068000-9	1	Connector
12b	AC-0430	2	Drain Valve	36	YY142009-8	1	Beltguard Assy, (Includes Item 36a)
12c	YY077010-5	2	Plug, Snap 1"	36a	YY115006-5	1	Beltguard, Back
12d	YY094000-9	4	Pad	37	YY160016-1	1	Motor (Includes Items 37a - 37f)
12e	YY061003-6	4	Screw, #14 x 1.0" lg	37a	YY166005-0	1	Capacitor, Start, Black
12f	YY077014-4	4	Plug, Cap	37b	YY166002-5	1	Cover
12g	YY110002-2	1	Axle, 5/8" x 4.63" lg	37c	YY166005-2	1	Capacitor, Run, Silver
12h	YY095002-3	1	Wheel 10"	37d	YY166002-8	1	Cover
13	YY065003-1	1	Nipple 1/4" x 7/8"	37e	YY166004-Y	1	Overload protector (Old YY166004-3)
14	YY136003-7	1	Valve, Pressure Relief	37f	YY077013-7	1	Cover, Terminal
15	YY026003-0	1	Cord, Power	38	YY146001-6	1	Key
16	034-0094	1	Switch, Pressure (Old YY034011-5)	39	YY006001-4	1	Pulley
17	YY071000-2	1	Strain Relief, 3/8", Metal	40	YY061000-2	1	Setscrew
18	YY071000-8	1	Strain, Relief	41	YY007001-1	1	V-Belt
19	YY145025-3	1	Tube, Bleeder D-D (At same time Order 1 of YY058001-7)				
20	YY026022-1	1	Cord, Interconnect C-C				

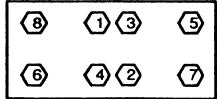
YY054011-2 - Ring Set page 3

IMPORTANT: Ring must be assembled with colored stripes in the position shown and in the following numerical sequence:



YY040019-6 - PUMP ASSY

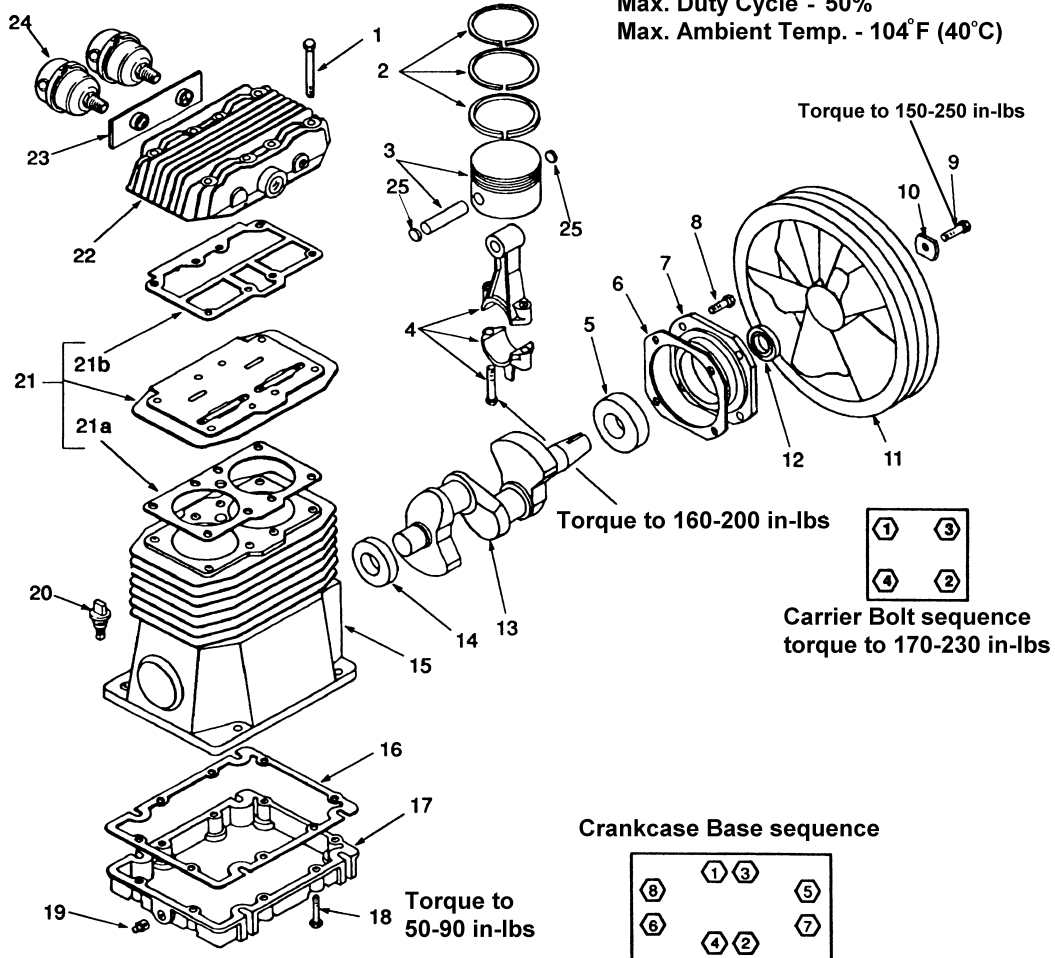
Head Bolt sequence



Sequence # - 1, 2, 3 & 4
torque to 240-320 in-lbs
Sequence # - 5, 6, 7 & 8
torque to 200-280 in-lbs

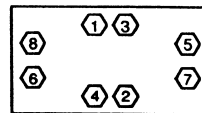
PUMP SPECIFICATIONS

Weight - 39lbs
Oil Capacity - 18oz (In Winter 10W30)
Min. RPM - 700
Max RPM - 1200
Max. Outlet Pressure - 125psi
Max. Duty Cycle - 50%
Max. Ambient Temp. - 104°F (40°C)



Carrier Bolt sequence
torque to 170-230 in-lbs

Crankcase Base sequence



Item No.	Part No.	No. Used	Description	Item No.	Part No.	No. Used	Description
1	YY059014-4	8	Screw 5/16-18 x 2.50" lg	14	YY051001-3	1	Bearing
2	YY054011-2	1	Ring Set (See Page 2 for information on how to assemble the Ring Set)	15	YY049004-4	1	Crankcase
3	YY048006-5	1	Piston Assy	16	YY046015-0	1	Gasket
4	YY047006-9	2	Rod	17	YY077006-5	1	Base
5	YY051004-3	1	Bearing	18	YY059014-5	8	Screw, 1/4-20 x 1.25" lg
6	YY046014-9	1	Gasket	19	YY062000-2	1	Plug, 1/8 NPT
7	YY045004-3	1	Carrier	20	YY056001-9	1	Dipstick
8	YY059014-3	4	Screw, 5/16-18 x .87" lg	21	YY043014-2	1	Plate Assy, (Includes 21a & 21b)
THESE ITEMS MUST BE PURCHASED SEPARATELY. 9 YY059000-2 1 Screw, 5/16-18 X 1.0" lg 10 YY060005-3 1 Washer 11 YY044003-9 1 Flywheel, 12" A width				21a	YY046015-2	1	Gasket
				21b	YY046015-1	1	Gasket
				22	YY042006-8	1	Head
23	YY019009-6	1	Plate	24	YY019016-5	2	Filter, Canister (Includes Item 24a)
24	YY019016-5	2	Filter, Canister (Includes Item 24a)	24a	YY019016-6	2	Element
24a	YY019016-6	2	Element	25	YY062004-8	2	Plug, Wrist Pin
25	YY062004-8	2	Plug, Wrist Pin				

AVAILABLE SERVICE KITS

YY046015-9 Gaskets, Complete set
----- Overhaul Kit, (Use Items 2, 6, 16, 21 & 24)