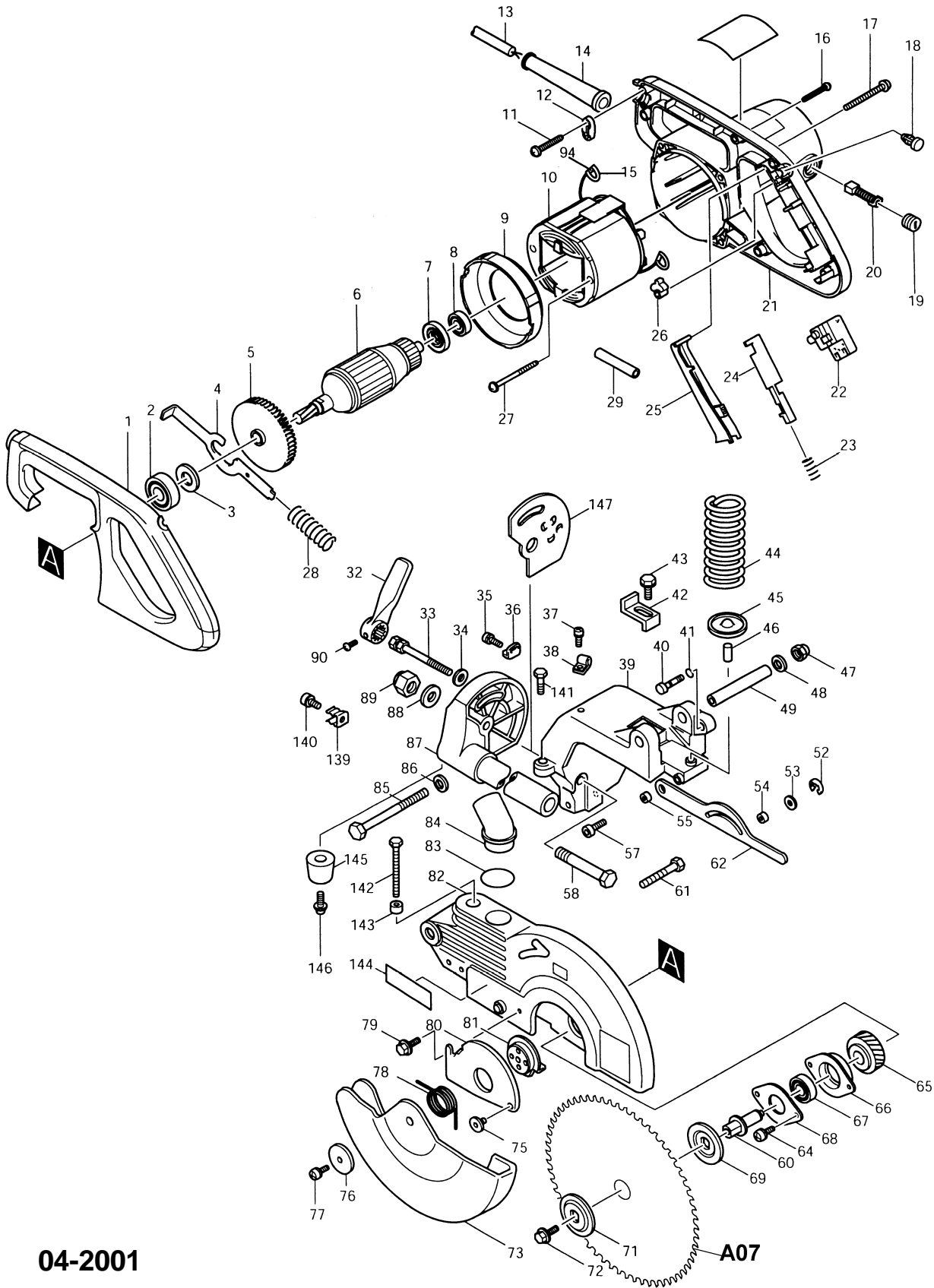


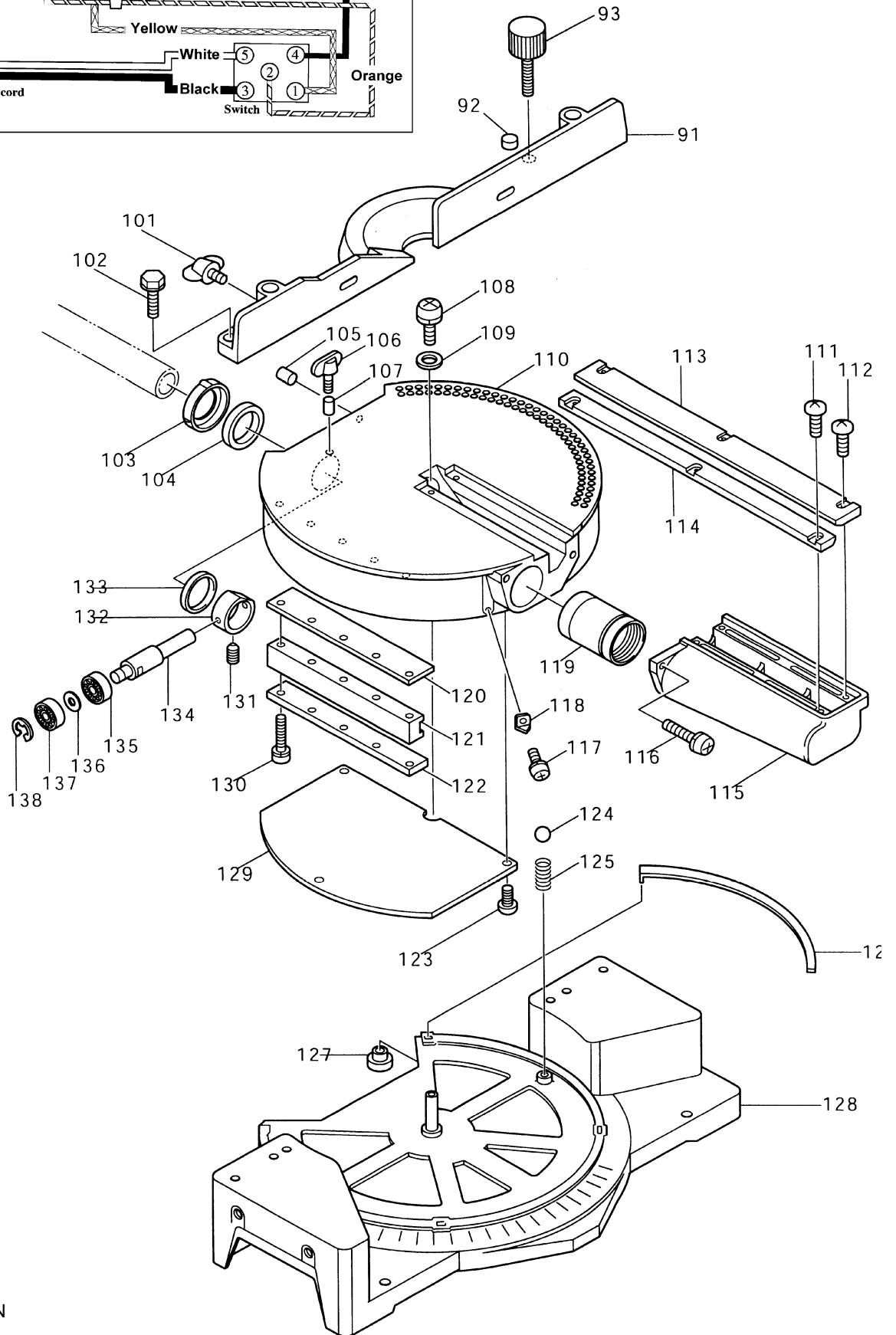
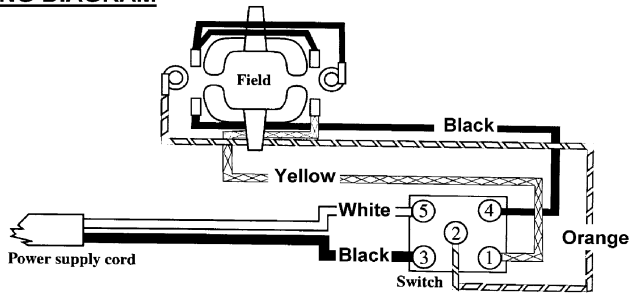


10" SLIDE COMPOUND SAW

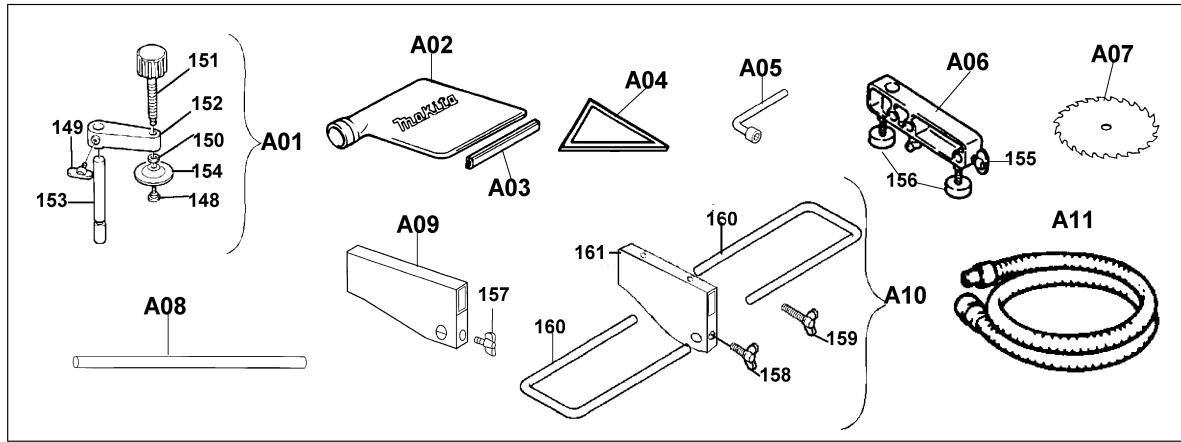
Model LS1011N (MCA)



WIRING DIAGRAM



Item No.	Part No.	No. Used	Description	Item No.	Part No.	No. Used	Description
1	416004-6	1	Handle Cover	66	316821-3	1	Bearing Box
2	211206-7	1	Ball Bearing 6202LLB	67	211256-2	1	Ball Bearing 6203LLB
3	253853-8	1	Flat Washer 15	68	285685-5	1	Bearing Retainer 64
4	343641-2	1	Shaft Lock	69	224333-1	1	Flange 53
5	241909-9	1	Fan 80	71	224333-1	1	Flange 53
6	516716-2	1	Armature Assy (Includes Items 2, 3, 5, 7 & 8)	72	265355-2	1	Hex. Flange Head Bolt M8X20
7	681640-9	1	Insulation Washer	73	415387-1	1	Safety Cover
8	211061-7	1	Ball Bearing 6000LLB	75	265985-9	1	Hex.Socket Head Bolt M6
9	416002-0	1	Baffle Plate	76	267136-0	1	Flat Washer 5
10	636136-5	1	Field Assy (Includes Items 15 & 94)	77	911213-7	1	P.H. Screw M5X12
11	265995-6	2	Tapping Screw 4X18	78	231593-8	1	Torsion Spring 36
12	687052-4	1	Strain Relief	79	265324-3	1	Hex. Flange Head Bolt M8X12
13	664463-0	1	Cord with Plug 2P-14-2.5M	80	343673-9	1	Center Cover
14	682505-8	1	Cord Guard 10-90	81	343639-9	1	Center Plate
15	654020-2	2	Garter Spring	82	183375-3	1	Blade Case Set (Includes Item 144 & 263005-3 - Rubber Pin 6, 817874-0 - Caution Label)
16	265995-6	5	Tapping Screw 4X18	83	213460-9	1	O Ring 35
17	911383-2	4	P.H. Screw M6X60	84	414568-4	1	Elbow
18	411478-6	1	Switch Button	85	265356-0	1	Hex. Bolt M10X105
19	643650-4	2	Brush Holder Cap 6.5-13.5	86	941251-5	1	Flat Washer 10
20	181047-4	2	Carbon Brush CB-154 (2pcs/Set)	87	151607-6	1	Arm Holder Com. (Includes 816711-5 - Scale Label)
21	159916-7	1	Motor Housing Com. (Includes 2X643660-1 - Brush Holder 6.5-13.5 & 817881-3 - Caution Label)	88	253771-0	1	Flat Washer 16
22	651923-1	1	Switch	89	252044-8	1	Hex. Nut M16-24
23	231457-6	1	Compression Spring 3	90	911213-7	1	P.H. Screw M5X12
24	416000-4	1	Lock Off Lever	91	317171-9	1	Guide Rule
25	415999-0	1	Switch Lever	92	263019-2	1	Nylon Pin 8
26	414546-4	1	Cam	93	271302-3	1	Knob 40
27	266029-8	2	Tapping Screw 5X65	94	654502-4	2	Connector P-2
28	231297-2	1	Compression Spring 9	101	251887-5	1	Screw M6X10
29	683050-6	1	Vinyl Tube 12-45	102	921451-3	4	Hex. Bolt M8x30
32	272216-9	1	Lever 125	103	343676-3	1	Cap
33	265937-0	1	Lock Bolt M10	104	262048-2	1	Felt Ring 30
34	253024-7	1	Flat Washer 10	105	263005-3	1	Rubber Pin 6
35	911113-1	1	P.H. Screw M4X10	106	265708-5	1	Screw M6X20
36	343678-9	1	Pointer	107	256203-6	1	Pin 4.5
37	911113-1	1	P.H. Screw M4X10	108	911213-7	1	P.H. Screw M5X12
38	687095-6	1	Strain Relief	109	253807-5	1	Flat Washer 5
39	151609-2	1	Arm Com. (Includes 810642-0 - Caution Label)	110	151610-7	1	Turn Base Com. (Includes 219002-7 - Bearing 30)
40	322317-4	1	Stopper Pin	111	251314-2	3	(+) Screw M4X12
41	213021-5	1	O Ring 5	112	251314-2	3	(+) Screw M4X12
42	343677-1	1	Stopper Plate	113	416885-8	1	Kerf Board L
43	251644-1	1	Hex. Flange Head Bolt M8X20	114	416884-0	1	Kerf Board R
44	233297-8	1	Compression Spring 28	115	415388-9	1	Front Cover
45	343638-1	1	Spring Holder	116	911228-4	2	P.H. Screw M5X18
46	256199-1	1	Pin 8	117	911113-1	1	P.H. Screw M4X10
47	252111-9	1	Hex. Lock Nut M10	118	343678-9	1	Pointer
48	941251-5	1	Flat Washer 10	119	211444-1	1	Linear Ball Bearing 3064
49	331350-5	1	Pipe 16-90	120	343671-3	1	Slide Guide Plate
52	961018-5	1	Stop Ring E-5	121	331353-9	1	Slide Guide Support
53	253804-1	1	Flat Washer 6	122	331352-1	1	Slide Guide
54	257163-5	1	Ring 6	123	922114-4	3	Hex. Socket Head Bolt M4X10
55	257163-5	1	Ring 6	124	216004-4	1	Steel Ball 7.9
57	922334-0	1	Hex. Socket Head Bolt M6X20	125	231038-6	1	Compression Spring 6
58	265359-4	1	Hex. Bolt M16X78	126	344036-2	3	Slide Plate
60	322865-3	1	Spindle	127	286212-1	2	Cap 20
61	265357-8	1	Hex. Bolt M8X50	128	151612-3	1	Base Com. (Includes 816726-2 - Indication Label & 817838-4 - Caution Label)
62	343672-1	1	Link Plate	129	150210-0	1	Under Cover Com.
64	911223-4	2	P.H. Screw M5X16	130	922264-5	5	Hex. Socket Head Bolt M5X40
65	226465-0	1	Helical Gear 42	131	265940-1	1	Hex. Socket Head Bolt M5X6



Item No.	Part No.	No. Used	Description	Item No.	Part No.	No. Used	Description
132	322417-0	1	Lock Ring 30	158	251887-5	1	Screw M6X10
133	261087-9	1	Rubber Washer	159	251896-4	2	Screw M5X20
134	322416-2	1	Rod	160	322312-4	2	Holder
135	212036-9	1	Needle Bearing 808	161	343652-7	1	Set Plate (Black)
136	253823-7	1	Flat Washer 7	Accessories			
137	212035-1	1	Needle Bearing 708	A01	192625-5	1	Vertical Vise Assy (Includes Items 148 - 154)
138	961012-7	1	Stop Ring E-6	A02	122351-2	1	Dust Bag Assy (Includes Item A03)
139	232075-3	1	Leaf Spring	A03	410602-8	1	Fastener
140	911113-1	1	P.H. Screw M4X10	A04	762001-3	1	Triangular Rule
141	265371-4	1	Hex. Bolt M8X30	A05	782212-4	1	Socket Wrench 13
142	251667-9	1	Hex. Bolt M8X75	A06	192713-8	1	Holder Assy (Includes Items 155 & 156)
143	262511-5	1	Rubber Sleeve 6	A07	721414-A	1	10" C.T. Saw Blade 64 Teeth (See Catalogue for other Saw Blades)
144	819064-1	1	Makita Mark	A08	256812-1	1	Extension Rod 12 [For Holder Assy 192713-8 (A06)]
145	421391-0	1	Cushion	A09	122472-0	1	Set Plate Assy (Includes Item 157)
146	911333-7	1	P.H. Screw M6X20	A10	192118-2	1	Extension Holder(Includes 158 - 161)
147	343854-5	1	Arm Holder Plate	A11	192375-4	1	Hose 1-1/2" dia. X 8ft
148	251370-2	1	(+) P.H. Screw M5		192376-0	1	Hose 1-1/2" dia X 16ft
149	251887-5	1	Screw M6X10				
150	253804-1	1	Flat Washer 6				
151	271286-5	1	Knob 40				
152	316938-2	1	Vise Arm				
153	322313-2	1	Vise Rod				
154	343651-9	1	Vise Plate				
155	251887-5	2	Screw M6X10				
156	265917-6	2	Adjust Bolt M8X42				
157	251887-5	1	Screw M6X10				