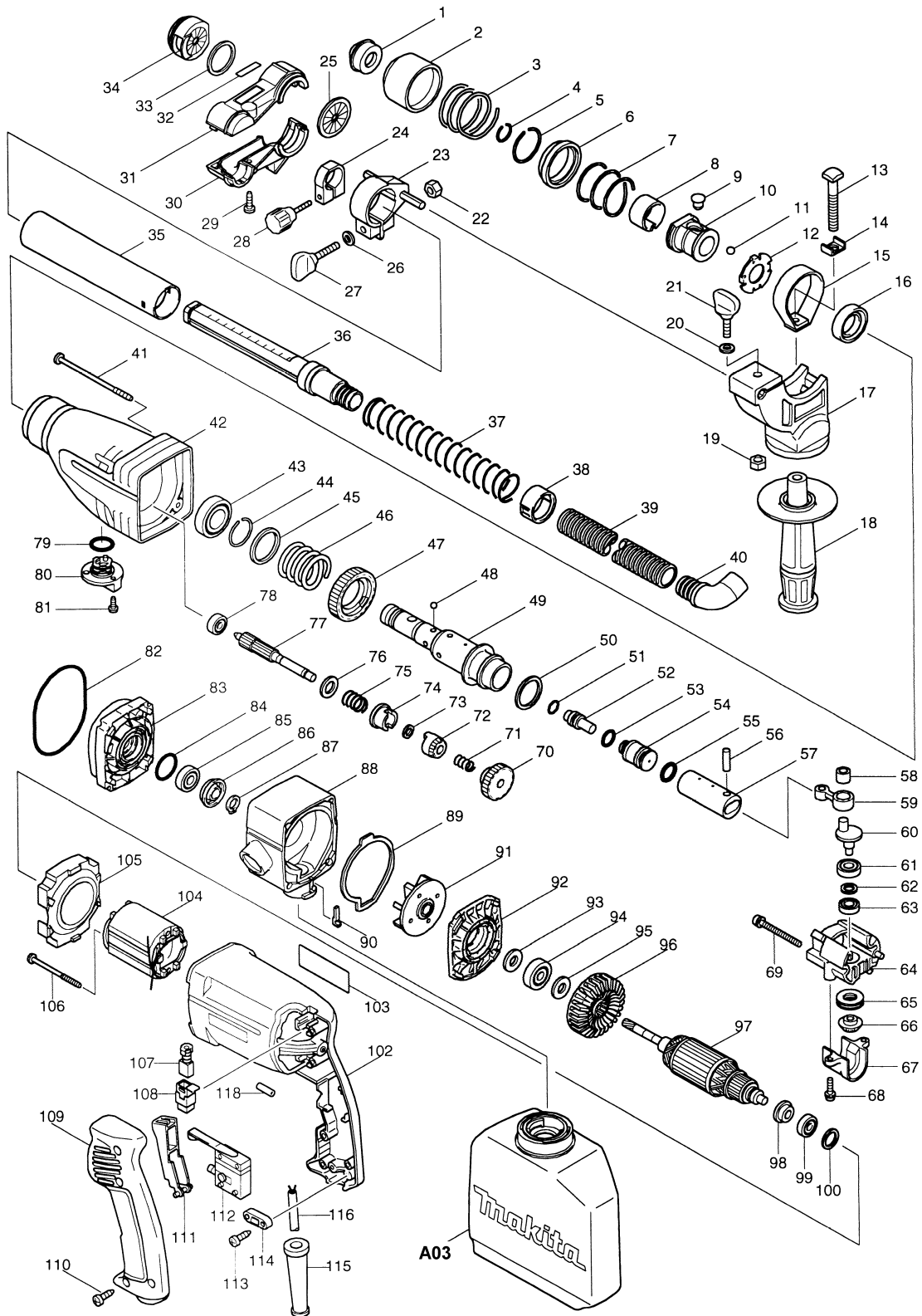


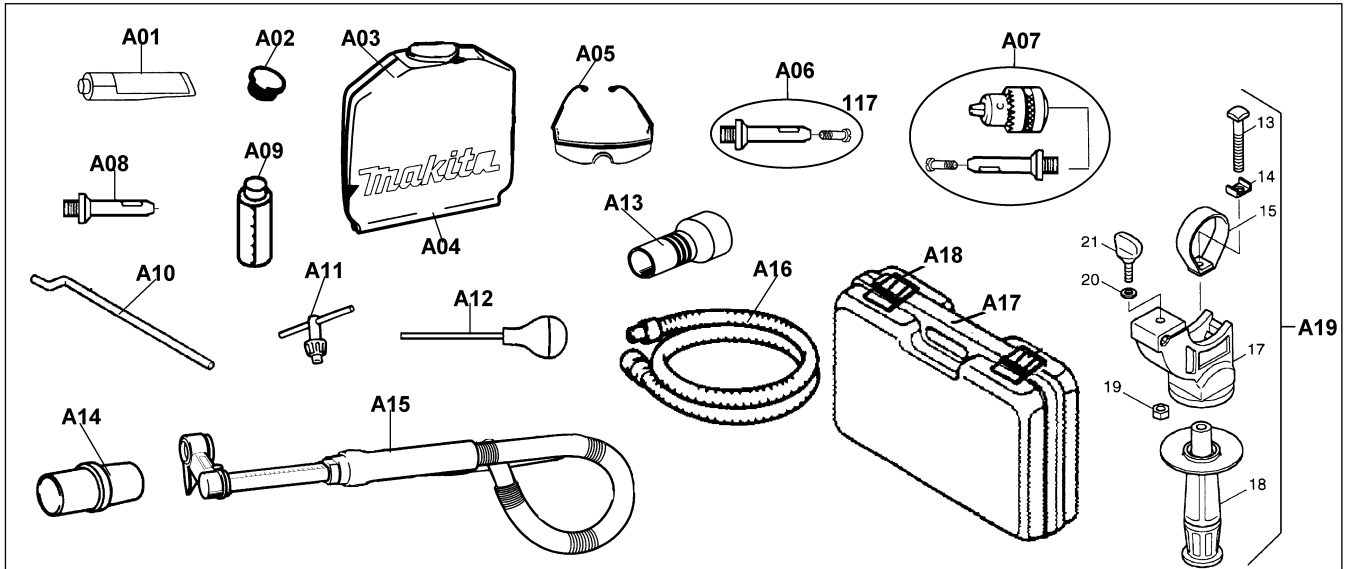
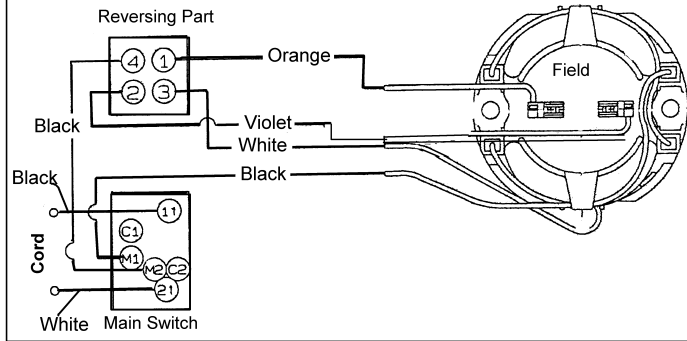


1" DUSTLESS ROTARY HAMMER SDS-PLUS

Model HR2430 (MJ)



WIRING DIAGRAM



Item No.	Part No.	No. Used	Description
1	286265-0	1	Cap 31 (Olde 286248-0)
2	416410-5	1	Chuck Cover
3	233203-3	1	Compression Spring 38
4	231979-6	1	Ring Spring 17
5	231936-4	1	Ring Spring 30.5
6	323819-3	1	Spring Guide
7	233234-2	1	Compression Spring 35
8	232190-3	1	Leaf Spring 26
9	256447-8	1	Pin 8
10	323820-8	1	Chuck Ring
11	216022-2	1	Steel Ball 7.0
12	344690-2	1	Guide Washer
13	266092-1	1	Square Bolt M8X60
14	267719-6	1	Square Washer 9
15	344205-5	1	Belt
16	213313-2	1	Oil Seal 20
17	417157-4	1	Grip Base
18	152521-9	1	Grip 36 Com.
19	931202-6	1	Hex. Nut M5
20	941101-4	1	Flat Washer 5
21	251878-6	1	Screw M5X20
22	931302-2	1	Hex. Nut M6
23	417156-6	1	Pipe Holder
24	414795-3	1	Stopper Ring

Item No.	Part No.	No. Used	Description
25	421384-7	1	Sealing Cap 40
26	941151-9	1	Flat Washer 6
27	265705-1	1	Thumb Screw M6X30
28	265706-9	1	Thumb Screw M4X24
29	265926-5	1	Tapping Screw 4X16
30	414800-6	1	Collector 25L
31	414799-5	1	Collector 25R
32	819071-4	1	Label
33	267091-6	1	Flat Washer 28
34	421726-5	1	Fitting Rubber
35	414797-9	1	Support Pipe
36	417309-7	1	Slide Pipe
37	233015-4	1	Compression Spring 25
38	414794-5	1	Spring Stopper
39	414898-3	1	Hose 19
40	417153-2	1	Cuffs 19-22
41	266243-6	4	Tapping Screw 4X90
42	150965-7	1	Gear Housing Com. (Includes
		1	216011-7 - Steel Ball 5.6 &
		1	231234-6 - Compression
			Spring 3.5)
43	211323-3	1	Ball Bearing 6904LLU
44	231962-3	1	Ring Spring 26
45	267132-8	1	Flat Washer 29

