

Item No.	Part No.	No. Used	Description	Item No.	Part No.	No. Used	Description
1	*	1	Cap 37 (Type 1 & 2)	44	322939-0	1	Clutch Cam (Type 2)(4 Grooves)
2	*	1	Thin Washer 10 (Type 1)		322743-7	1	Clutch Cam (Type 1 & 3) (2 Grooves)
3	*	1	O Ring 10 (Type 1)				
4	*	1	Change Ring Cover (Type 1 & 2)	45	233089-5	1	Compression Spring 12
5	*	1	Change Ring Com. (Type 1 & 2)	46	253744-3	1	Flat Washer 12
6	344205-5	1	Belt	47	226293-3	1	Spur Gear 10
7	266092-1	1	Square Bolt M8x60	48	211012-0	1	Ball bearing 606ZZ
8	267719-6	1	Square Washer 9	49	*	2	Roller 7 (Type 1 & 2)
9	213313-2	1	Oil Seal 20	50	213261-5	1	O Ring 17
10	*	1	Gear Housing Com. (Includes 1/216011-7 - Steel Ball 5.6 & 1/231234-6 - Compression Spring 3.5)	51	152471-8	1	Change Lever Com.
11	266069-6	4	Tapping Screw Flange PT4x45	52	251392-2	1	(+) P.H. Screw M4
12	211322-5	1	Ball Bearing 6904LLU	54	931202-6	1	Hex Nut M5
13	231962-3	1	Ring Spring 26	55	415658-6	1	Grip Base
14	267132-8	1	Flat Washer 29	56	265720-5	1	Thumb Screw M5x14
15	233109-5	1	Compression Spring 29	57	213720-9	1	O Ring 67
16	226290-9	1	Spur Gear 48	58	159760-2	1	Inner Housing Com.
17	216022-2	1	Steel Ball 7.0 (Old 216009-4)	59	211051-0	1	Ball Bearing 609LLB
18	216011-7	4	Steel Ball 5.6	60	241883-1	1	Fan 60
19	*	1	Tool Holder	61	517141-0	1	Armature Assy (Includes Items 60, 62 & 63)
20	267129-7	1	Flat Washer 27	62	681600-1	1	Insulation Washer
21	213063-9	1	O Ring 10	63	211021-9	1	Ball Bearing 607LLB
22	*	1	Impact Bolt	64	253842-3	1	Flat Washer 14
23	213117-2	1	O Ring 11	65	415628-5	1	Baffle Plate
24	322740-3	1	Striker	66	633351-2	1	Field
25	213214-4	1	O Ring 16	67	*	1	Motor Housing
26	256099-5	1	Pin 6	69	682502-4	1	Cord Guard 8-85
27	331446-2	1	Piston Cylinder	70	664013-1	1	Cord With Plug 2P-18-2.5M
28	212005-0	1	Needle Bearing 810	71	687063-9	1	Strain Relief
29	331447-0	1	Connecting Rod	72	265995-6	2	Tapping Screw 4x18
30	322741-1	1	Crankshaft	73	416248-8	1	Handle Cover
31	211098-4	1	Ball Bearing 699ZZ	75	*	1	Switch
32	267130-2	1	Flat Washer 9	76	415629-3	1	Switch Lever
33	211099-2	1	Ball Bearing 689ZZ	78	266052-3	2	Tapping Screw Flange PT 4x60
34	159761-0	1	Crank Housing Com.	79	191927-6	2	Carbon Brush CB-407 (2pcs/Set)
35	212110-3	1	Thrust Needle Bearing 1224	80	643923-5	2	Brush Holder
36	226726-8	1	Straight Bevel Gear 12	81	265995-6	6	Tapping Screw 4x18
37	415630-8	1	Gear Cover	82	*	1	Cap 31
38	911526-6	2	P.H. Screw M4x16	83	*	1	Chuck Cover
39	911576-1	3	P.H. Screw M4x50	84	*	1	Compression Spring 38
40	226434-1	1	Helical Gear 31	85	*	1	Ring Spring 17
41	233110-0	1	Compression Spring 8	86	*	1	Ring Spring 30.5
42	226725-0	1	Straight Bevel Gear 14	87	*	1	Spring Guide
43	267131-0	1	Flat Washer 8	88	*	1	Compression Spring 35
				89	*	1	Leaf Spring 26
				90	*	1	Pin 8

Item No.	Part No.	No. Used	Description	Item No.	Part No.	No. Used	Description
91	*	1	Chuck Ring	A07	765009-6	1	Blow-Out Bulb 64
92	*	1	Guide Washer	A08	-----	1	SDS Hammer Bit (See Catalogue for Details)
100	534023-1	1	Lead Assy (With Item 102)	A09	181573-3	1	Bit Grease 100g
101	534024-9	1	Lead Assy (With Item 102)	A10	182749-5	1	Oil Vessel 30cc (Hammer Grease)
102	654069-2	2	Receptacle	A11	192176-8	1	Dust Extractor Attachment
Accessories				A12	192278-0	1	Hose 1.5M (4.9ft) ϕ 28mm (1-1/8")
A01	134777-6	1	Grip 36 Assy (Includes Grip 36 - 152521-9 (Old 152489-9), Items 6 - 8, & 54 - 56)	192279-8	1	Hose 3.0M (9.8ft) ϕ 28mm (1-1/8")	
A02	321144-6	1	Depth Gauge	A13	192564-9	1	Hose 2.5M (8.2ft) ϕ 36mm (1-13/32")
A03	122331-8	1	Chuck Adaptor Assy (With Screw P/N - 251425-3) (For Swivel-Chuck System)	A14	192108-5	1	Hose 2.5M(8.2ft) ϕ 19mm (23/32")
	122573-4	1	Chuck Adaptor Assy (With Screw P/N - 251425-3) (Old 122554-8) (For Slide-Chuck System)	A15	824487-0	1	Plastic Carrying Case (Includes Item A16)
A04	763047-2	1	Drill Chuck S13	A16	186347-7	2	Slide Latch Set (2pcs/Set) (Type 1)
A05	798341-3	1	Chuck Key	417059-4	2	Latch (2pcs) (Type 2)	
A06	421342-3	1	Dust Cup 5 (For Bits 7/32" ~ 9/16")	A17	410871-A	1	Vacuum Adaptor 1" X 2-1/8" (I.D.), 1-3/16" X 2-1/4" (O.D.) (Used between A11 and Vacuum)
	421664-1	1	Dust Cup 9 (For Bits 15/32" ~ 5/8" & For Shank 3/8" ~ 11-16")				

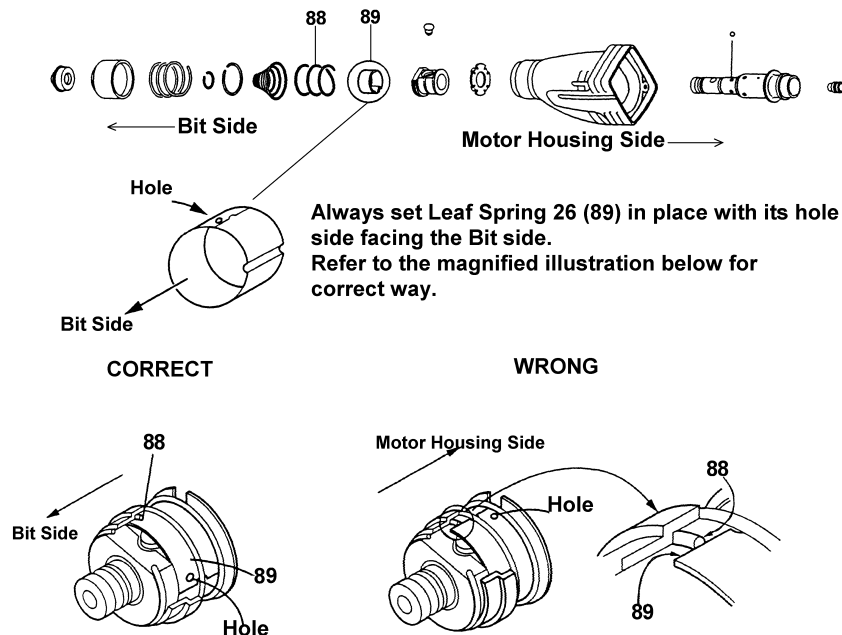
DUSTLESS SYSTEM

* SEE SERVICE CHANGES

HR2420 + A11—> connect to 192278-0 (S.E of 420S) + 420S
 HR2420 + A11 + A14—> connect to 192564-9 (S.E. of 406) + 406

SERVICE NOTE:

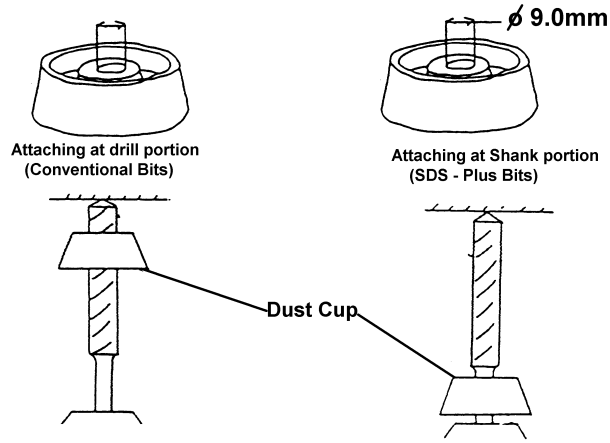
How to Set Leaf Spring 26 (89) in place in Assembling Chuck



If Chuck is assembled in the wrong way in repairing - with the hole side of Leaf Spring 26 (89) facing the Motor Housing side, the function of "Easy bit change by merely turning chuck" might be lost due to the interference between the end face of Compression Spring 35 (88) and that of the Leaf Spring 26 (89).

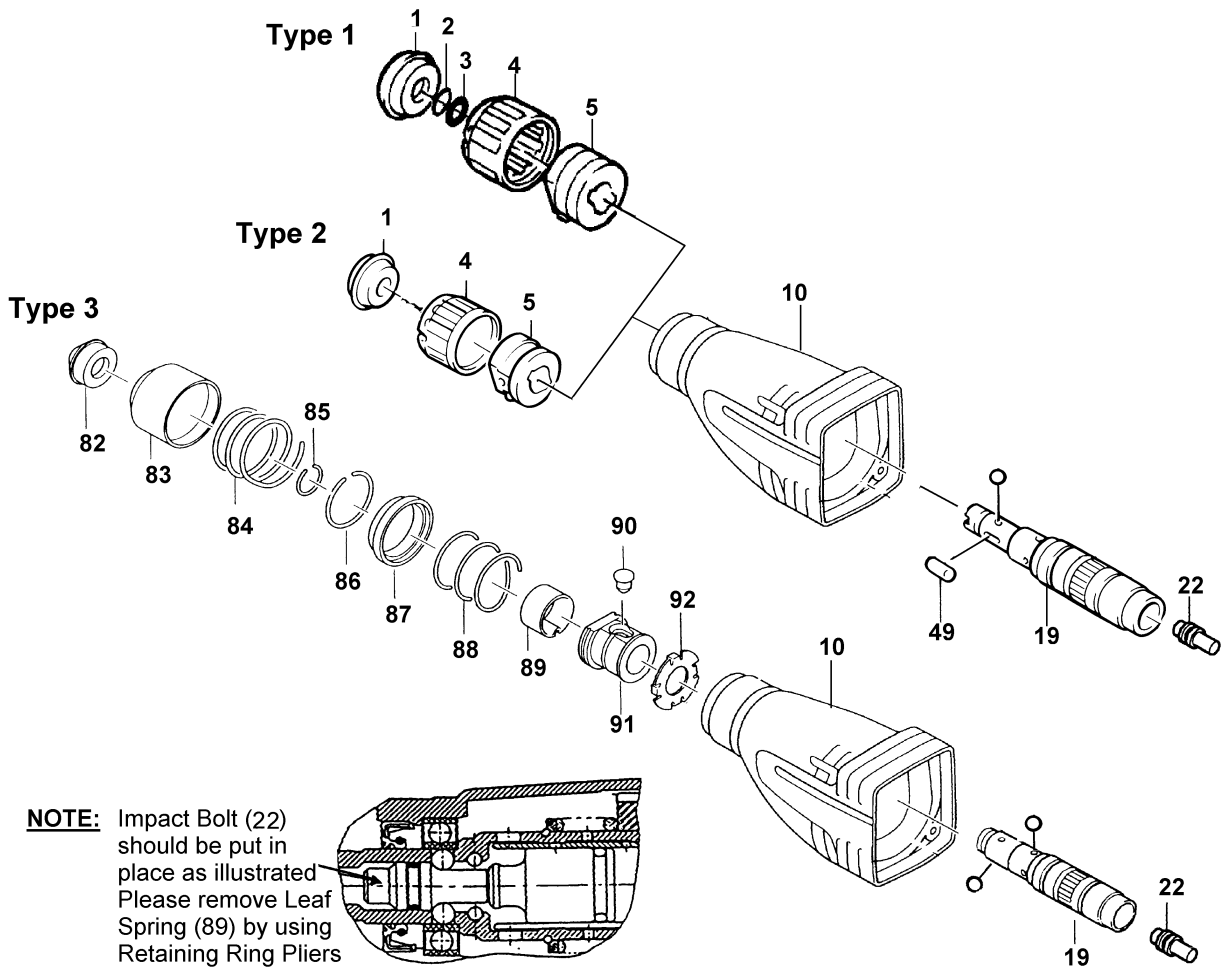
SERVICE CHANGES

1. Addition of Dust Cup 9.



Item No	Description	Part No.		
A06	Dust Cup 5	421342-3	For Bits 7/32" ~ 9/16"	-----
	Dust Cup 9	421664-1	For Bits 15/32" ~ 5/8"	For Shank 3/8" ~ 11/16"

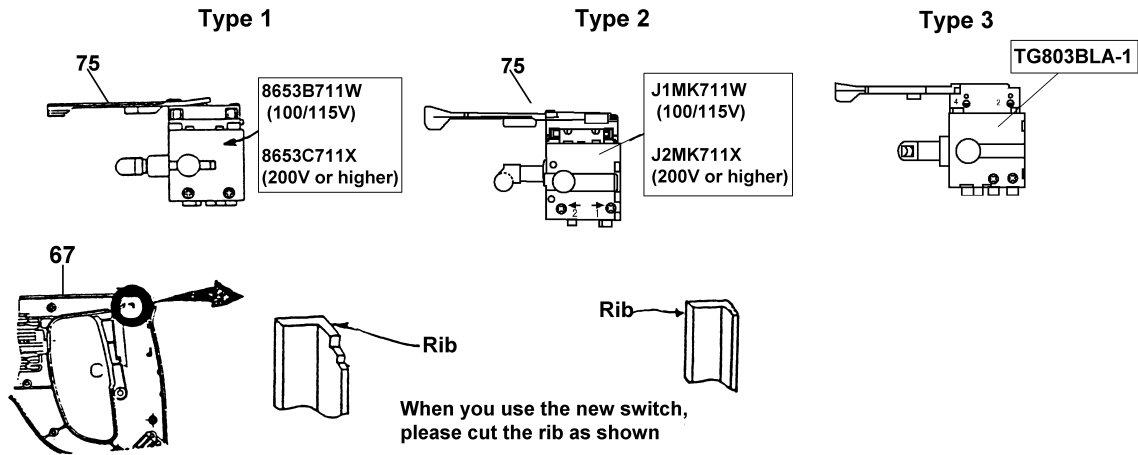
2. Change on Gear Hsg Com, Tool Holder and Slide Chuck System and Swivel-Chuck System.



Item No.	Description	Swivel - Chuck System		Slide - Chuck System
		Type 1	Type 2	Type 3
1	Cap 37	286240-6 (No Longer Available)	286251-1	-----
2	Thin Washer 10	253350-4		-----
3	O Ring 10	213068-9		-----
4	Change Ring Cover	415076-8		-----
5	Change Ring Com.	152470-0		-----
10	Gear Hsg. Com.	159759-7 (No Longer Available)		150965-7
19	Tool Holder	322744-5		323822-4
22	Impact Bolt	322739-8		323818-5
49	Roller 7	322517-6		-----
82	Cap 31	-----		286265-0 (286248-0)
83	Chuck Cover	-----		416410-5
84	Compression Spring 38	-----		233203-3
85	Ring Spring 17	-----		231979-6
86	Ring Spring 30.5	-----		231936-4
87	Spring Guide	-----		323819-3
88	Compression Spring 35	-----		233234-2
89	Leaf Spring 26	-----		232190-3
90	Pin 8	-----		256447-8
91	Chuck Ring	-----		323820-8
92	Guide Washer	-----		344690-2
	Serial No.	~ 7191E	7192E ~ 8645E	8646E ~

Above parts are completely interchangeable as a set.

3. Change on Switch and Motor Housing.



Item No	Description	Type 1	Type 2	Type 3
67	Motor Housing	416249-6	416926-0	
75	Switch	651932-0 (No Longer Available)	651972-8	650514-5
	Serial # HR2420	~ 12473E	12474 ~	N/A

Above parts are completely interchangeable as a set.

Type 1 Motor Housing accepts Type 2 Switch if the indicated part of the Rib is knocked down.