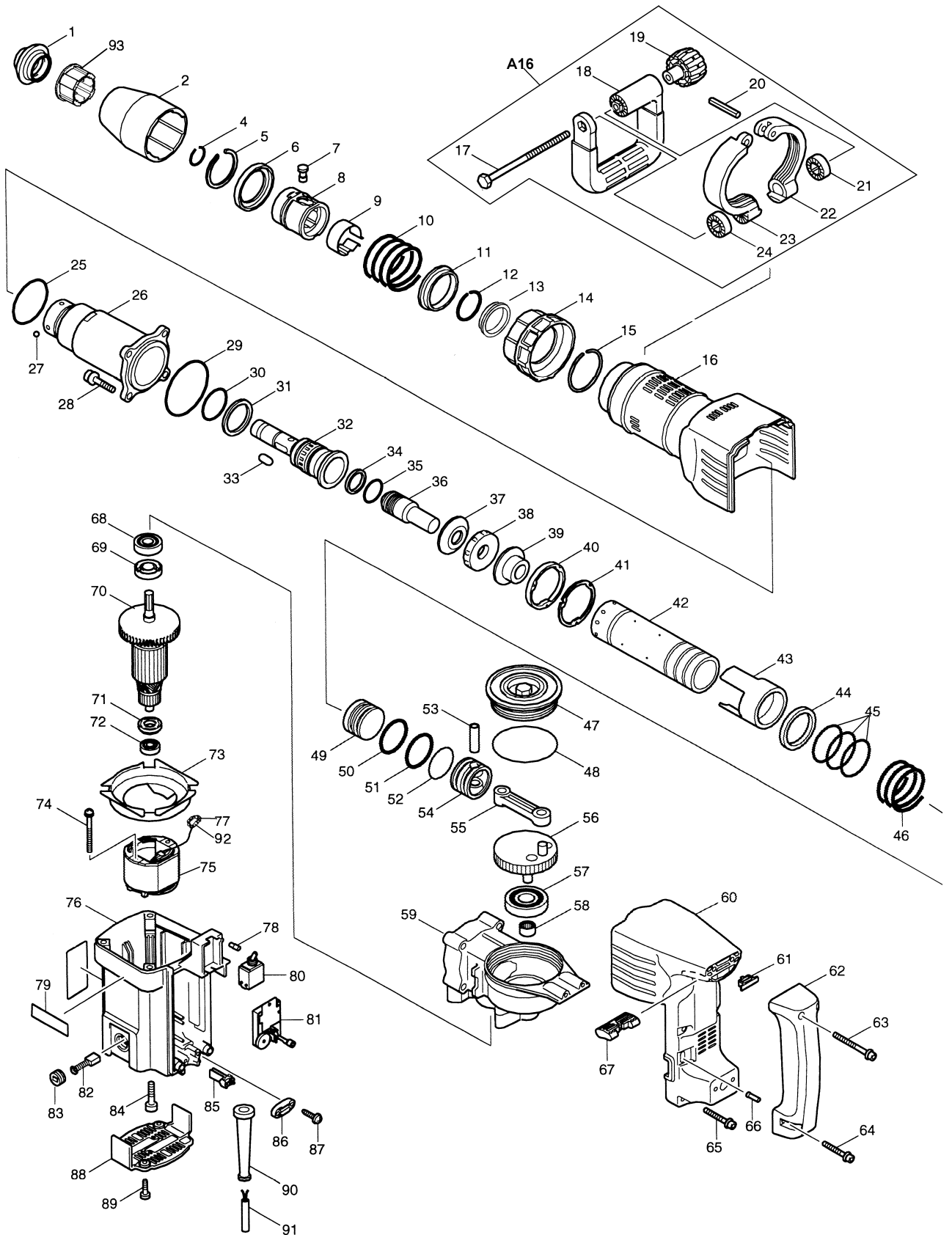
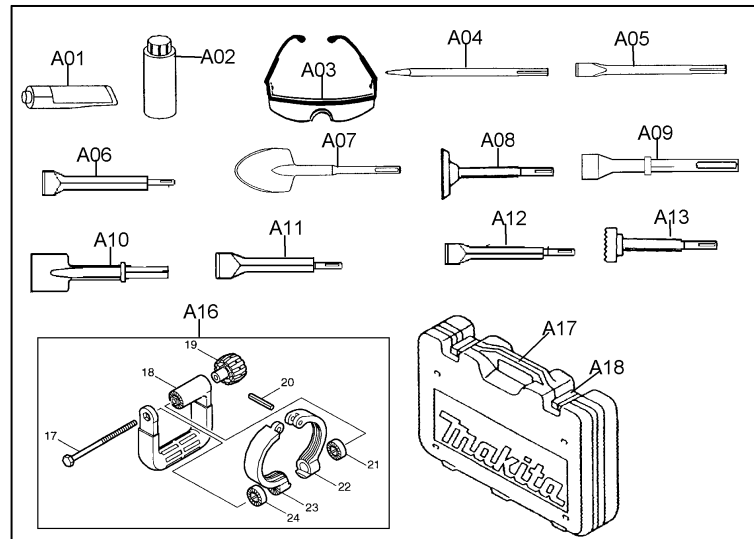
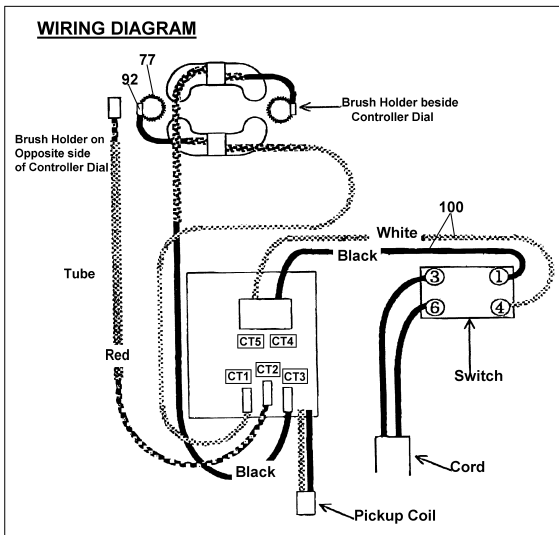


**20.6lb DEMOLITION HAMMER V.S. SDS-MAX
 Model HM1202C (MJ)**





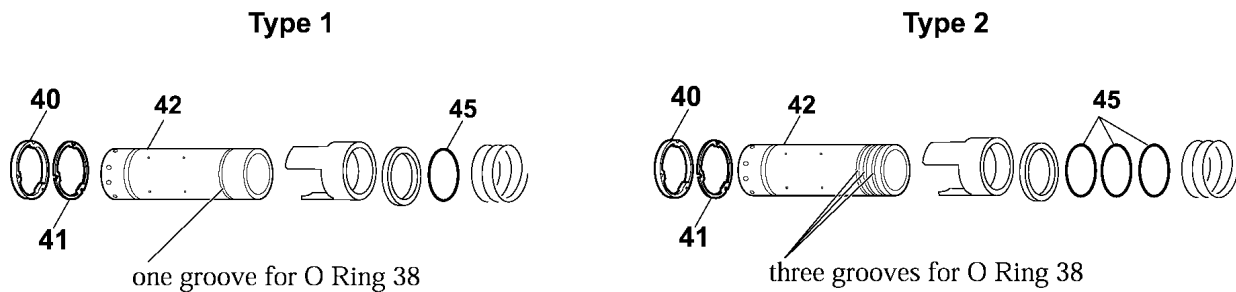
Item No.	Part No.	No. Used	Description	Item No.	Part No.	No. Used	Description
1	286250-3	1	Tool Holder Cap	46	233246-5	1	Compression Spring 50
2	*	1	Tool Holder Cover	47	416935-9	1	Crank Cap
3	233217-2	1	Compression Spring 51 * (Type 1)	48	213806-9	1	O Ring 90
4	231984-3	1	Ring Spring 25	49	323910-7	1	Striker
5	961232-3	1	Retaining Ring WR-45	50	213485-3	1	O Ring 34
6	267735-8	1	Cup Washer 45	51	213485-3	1	O Ring 34
7	323767-6	1	Pin 8	52	213523-1	1	O Ring 36
8	*	1	Chuck Ring	53	257693-6	1	Sleeve 9
9	232180-6	1	Leaf Spring 41	54	416929-4	1	Piston
10	233218-0	1	Compression Spring 55	55	416930-9	1	Rod
11	*	1	Steel Ball Guide	56	323877-9	1	Crank Shaft
12	*	1	Ring Spring	57	211327-5	1	Ball Bearing 6304LLU
13	*	1	Flat Washer 37	58	212113-7	1	Needle Bearing 1212
14	416934-1	1	Change Ring	59	317225-2	1	Crank Housing
15	231989-3	1	Ring Spring 46	60	416940-6	1	Controller Cover
16	416938-3	1	Housing Cover	61	415692-6	1	Stopper
17	265439-6	1	Hex. Bolt M8X150	62	421507-7	1	Handle
18	417003-1	1	Side Handle	63	922361-7	2	Hex. Socket Head Bolt M6X40
19	252640-2	1	Wing Nut M8	64	922353-6	2	Hex.Socket Head Bolt M6X30
20	951166-8	1	Spring Pin 5-24	65	922353-6	4	Hex.Socket Head Bolt M6X30
21	417002-3	1	Side Handle Cam	66	416932-5	2	Acrylic Pin 5
22	317223-6	1	Side Handle Base 82A	67	416931-7	1	Switch Lever
23	317224-4	1	Side Handle Base 82B	68	211238-4	1	Ball Bearing 6202LLU (Old 211228-7)
24	417002-3	1	Side Handle Cam	69	213273-8	1	Oil Seal 17
25	213670-8	1	O Ring 58	70	516801-1	1	Armature Assy (Includes 241908-1 - Fan 80 & Items 71 & 72)
26	310087-7	1	Barrel	71	681642-5	1	Insulation Washer
27	216011-7	4	Steel Ball 5.6	72	211088-7	1	Ball Bearing 6000DDW
28	922451-6	4	Hex. Socket Head Bolt M8X30	73	416936-7	1	Baffle Plate
29	213720-9	1	O Ring 67	74	266095-5	2	Tapping Screw 5X55
30	213510-0	1	O Ring 36(Old 213508-7)	75	526091-8	1	Field Assy (Includes Items 77 & 92)
31	262095-3	1	Urethane Ring 41 (Old 262083-0)	76	151795-9	1	Motor Housing Com. (Includes 643653-8 - Brush Holder 6.5-13.5, 643661-9 - Brush Holder & 632924-8 - Lead Wire Unit)
32	*	1	Tool Holder	77	654020-2	2	Garter Spring
33	322908-1	2	Roller 8	78	263002-9	1	Rubber Pin 4
34	213431-6	2	Fluoride Ring 28	79	819064-1	2	Makita Mark
35	213394-6	2	O Ring 23	80	651481-7	1	Switch STE215K
36	*	1	Impact Bolt	81	631274-8	1	Controller
37	323909-2	1	Impact Bolt Guide	82	181048-2	1	A.C. Carbon Brush CB-155
38	421691-8	1	Rubber Ring 25	83	643650-4	2	Brush Holder Cap 6.5-13.5
39	323875-3	1	Collared Sleeve 24	84	922364-1	4	Hex. Socket Head Bolt M6X40
40	*	1	Guide Ring				
41	*	1	Flat Washer 49				
42	*	1	Cylinder Liner 44				
43	416928-6	1	Slide Sleeve 49				
44	257224-1	1	Ring 49				
45	213508-7	*	O Ring 38				

Item No.	Part No.	No. Used	Description	Item No.	Part No.	No. Used	Description
85	415695-0	1	Fix Rod	A06	A-80824	1	SDS-MAX Scaling Chisel 50-400 (2"X15-3/4")
86	687052-4	1	Strain Relief		751229-A	1	SDS-MAX Scaling Chisel 2" X 12"
87	265995-6	2	Tapping Screw 4X18		751230-A	1	SDS-MAX Scaling Chisel 3" X 12"
88	416937-5	1	Rear Cover				
89	265995-6	2	Tapping Screw 4X18	A07	751626-A	1	SDS-MAX Clay Spade 4-1/2"
90	682560-0	1	Cord Guard 10	A08	751304-C	1	SDS-MAX Tamper 12"
91	664471-1	1	Cord With Plug 2P-14-5.0	A09	751108-A	1	SDS-MAX Spike/Pin Driver 13/16" (3/4"X2-3/4")
92	654502-4	2	Connector P-2	A10	751625-A	1	SDS-MAX Asphalt Cutter 4-1/2"
93	417576-4	1	Sleeve 39 * (Added)	A11	751305-C	1	SDS-MAX Scraping Chisel 1-1/2"
100	632851-9	1	Lead Unit				
Accessories							
A01	181573-3	1	Grease Vessel 100g (3.5oz)	A12	A-80830	1	SDS-MAX Tile Chisel 50-300 (2"X11-3/4")
A02	A-90582	1	Hammer Grease 30g (1oz) (Old 181490-7)		751227-A	1	SDS-MAX Tile Chisel 2"X12"
A03	191686-A	1	Makita Safety Glasses	A13	751715-A	1	SDS-MAX Bushing Tool (1pc) 1-3/4" Square
A04	A-80793	1	SDS-MAX Bull Point 400mm(15-3/4")	A14	751306-C	1	SDS-MAX Seam Tool 1-1/8"X15" (Picture N/A)
	751423-A	1	SDS-MAX Bull Point 12"	A15	751307-C	1	SDS-MAX Slotting Tool 1-1/8"X15" (Picture N/A)
	751424-A	1	SDS-MAX Bull Point 18"	A16	134885-3	1	Side Handle Assy (Includes Items 17 - 24)
A05	A-80802	1	SDS MAX Flat Chisel 25-280(1"X11")	A17	824564-8	1	Plastic Carrying Case (Includes Item A18)
	A-80818	1	SDS-MAX Flat Chisel 25-400 (1" X15-3/4")	A18	417075-6	2	Slide Latch (Old 416401-6)
	751228-A	1	SDS-MAX Flat Chisel 1" X 12"				
	751231-A	1	SDS-MAX Flat Chisel 1" X 18"				

* SEE SERVICE CHANGES

SERVICE CHANGES

1. Change on Cylinder, Flat Washer, Guide Ring etc.

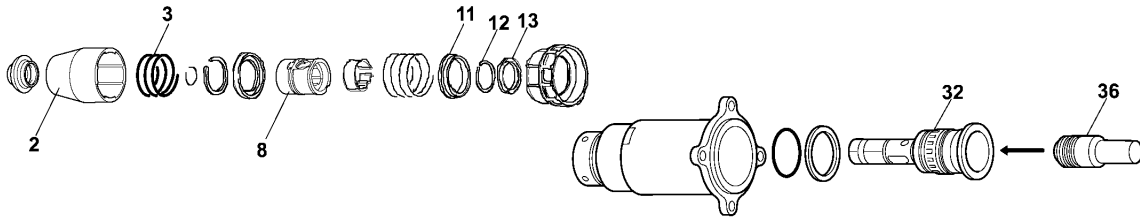


Item No.	Description	Type 1	Type 2
40	Guide Ring	416927-8 Thickness: 8.0mm	417600-3 Thickness: 7.0mm
41	Flat Washer 49	344790-8 Thickness 1.0mm	344998-4 Thickness: 2.0mm
42	Cylinder Liner 44	331554-9	331608-2
45	O Ring 38	213508-7	
		1 piece	3 pieces
	Serial #	~ 15196E	15197E ~

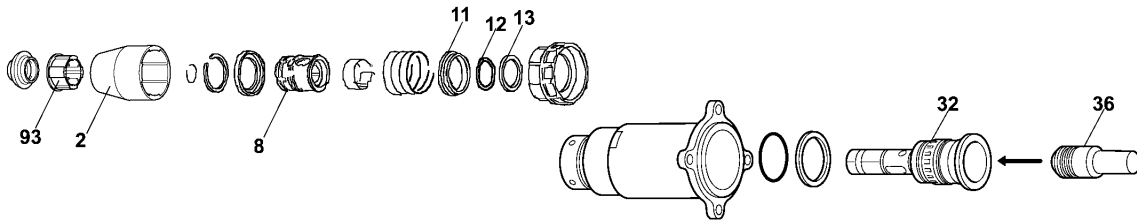
Above parts are completely interchangeable as a set.

2. Change on Tool Holder, Tool Holder Cover, Impact Bolt, Steel Ball Guide etc.

Type 1



Type 2



Item No.	Description	Type 1	Type 2
2	Tool Holder Cover	416933-3	417577-2
3	Compression Spring 51	233217-2	-----
8	Chuck Ring	323773-1	324185-1
11	Steel Ball Guide	323876-1	324131-4
12	Ring Spring	231988-5 I.D. 34mm	233909-3 I.D. 33.5mm
13	Flat Washer 37	267197-0 - 2.2mm Thickness	267760-9 - 5.2mm Thickness
32	Tool Holder	323878-7	324109-7
36	Impact Bolt	323908-4 - 96.0mm Long	324132-2 - 100.0mm Long
93	Sleeve 39	-----	417576-4
	Serial #	~ 15196E	15197E ~

Above parts are completely interchangeable as a set.