

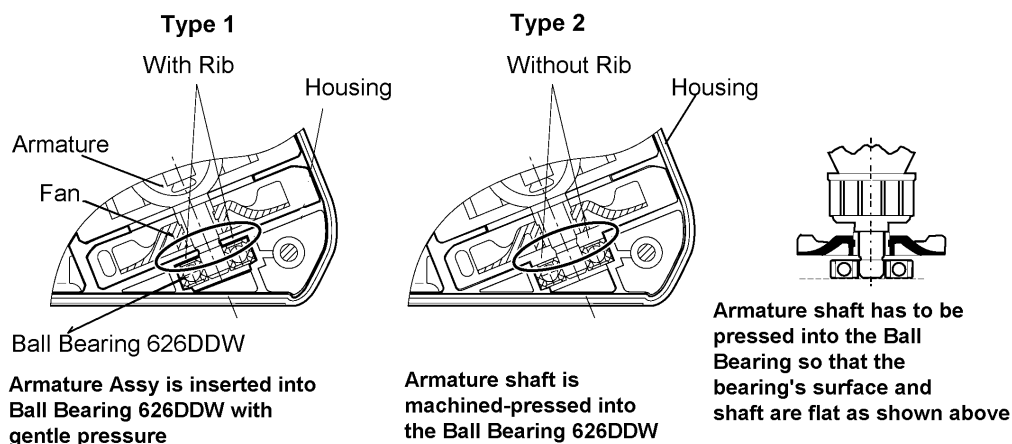
Item No.	Part No.	No. Used	Description	Item No.	Part No.	No. Used	Description
1	286265-0	1	Cap 31(Old 286248-0)	34	267104-3	1	Flat Washer 12
2	417299-4	1	Chuck Cover	35	211012-0	1	Ball Bearing 606ZZ
3	233203-3	1	Compression Spring 38	36	344905-7	1	Cup Washer 6
4	231936-4	1	Ring Spring 30.5	37	231999-0	1	Conical Comp. Spring 7-14
	323819-3	1	Spring Guide	38	226399-7	1	Spur Gear 10
6	233234-2	1	Compression Spring 35	39	323988-0	1	Clutch Cam
7	232190-3	1	Leaf Spring 26	40	324018-0	1	Cam Shaft
8	231979-6	1	Ring Spring 17	41	219014-0	1	Swash Bearing 10 (Old 219013-2)
9	256447-8	1	Pin 8	42	226792-5	1	Z Bevel Gear 32
10	323820-8	1	Chuck Ring	43	210022-4	1	Ball Bearing 626DDW
11	344690-2	1	Guide Washer	44	257235-6	1	Ring 6
12	213360-3	1	Oil Seal 25	46	344901-5	1	Grip Spring 50
13	961105-0	1	Retaining Ring S-25	47	266250-9	1	Cup Square Neck Bolt M8X50
14	231987-7	1	Ring Spring 21	49	265995-6	14	Tapping Screw 4X18
15	323846-0	1	O Ring Case	50	*	1	Housing Set
16	213117-2	1	O Ring 11	51	344898-8	1	Support Plate
17	213125-3	1	O Ring 12	52	643955-2	1	Terminal
18	257231-4	1	Ring 12	53	417291-0	1	Switch Lever
19	324015-6	1	Impact Bolt	54	651990-6	1	Switch
20	213124-5	1	O Ring 12	55	911006-2	1	P.H. Screw M3X8
21	214405-0	1	Plane Bearing 26	56	689099-4	1	Heat Sink
22	324014-8	1	Tool Holder	57	265995-6	2	Tapping Screw 4X18
23	216022-2	1	Steel Ball 7.0	58	210022-4	1	Ball Bearing 626DDW
24	227002-3	1	Spur Gear 49	59	240037-7	1	Fan 44
25	233109-5	1	Compression Spring 29	60	643963-3	1	Brush Holder
26	267132-8	1	Flat Washer 29	61	643964-1	1	Brush Holder
27	231962-3	1	Ring Spring 26	62	*	1	Armature Assy
28	211377-0	1	Ball Bearing 6905LLB				(Includes Items 58, 59 & 63)
29	324016-4	1	Striker	63	210024-0	1	Ball Bearing 608 2RS
30	213230-6	1	O Ring 15	64	226793-3	1	Z Bevel Gear 11
31	317380-0	1	Piston Cylinder	65	632828-4	1	Yoke Unit
32	267104-3	1	Flat Washer 12	66	152624-9	1	Grip 36 Com.
33	324017-2	1	Piston Joint	67	931202-6	1	Hex. Nut M5

Item No.	Part No.	No. Used	Description	Item No.	Part No.	No. Used	Description
68	417294-4	1	Grip Base	A03	193131-3	1	24V Battery B2430 (3.0AH)
69	265720-5	1	Thumb Screw M5X14	A06	134901-1	1	Grip 36 Assy (Includes Items 46 ,47 & 66-70)
70	344902-3	1	Plate	A04	DC24SA	1	DC24SA Battery Charger
71	421750-8	1	Seal Ring B	A05	122573-4	1	Chuck Adapter Assy (Consists of Items 91 & 92)
72	421749-3	1	Seal Ring A	A07	122574-2	1	Drill Chuck Assy (Includes Items A05)
73	421748-5	1	Seal Ring		763047-2	1	Drill Chuck S13
74	344899-6	1	Change Plate	A08	182749-5	1	Oil Vessel(Hammer Grease No 1) 30cc
75	344900-7	1	Guide Plate	A09	421342-3	1	Dust Cup 5
76	266020-6	2	Tapping Screw 4X12		421664-1	1	Dust Cup 9
77	417292-8	1	F/R Change Lever	A10	763432-9	1	Chuck Key S13
78	344903-1	1	Vibration Isolator Plate	A11	765009-6	1	Blow-Out Bulb 64
79	417297-8	1	Foot	A13	152790-2	1	Plastic Carrying Case - Type 1 (Includes Item A14 - Type 1)
80	265995-6	2	Tapping Screw 4X18		824613-1	1	Plastic Carrying Case - Type 2 (Includes Item A14 - Type 2)
81	643941-3	2	Holder Cap	A14	416401-6	2	Latch (Type 1)
82	191971-3	1	Carbon Brush CB-430		417075-6	2	Latch (Type 2)
83	417293-6	1	Change Lever	A15	193681-3	1	Refreshing Adaptor ADP03
84	213265-7	1	O Ring 17	A16	193689-2	1	24V Battery Adaptor BAP24 used for easy holding of 24V Tools
85	961078-7	1	Retaining Ring (EXT) S-18				
86	233279-0	1	Compression Spring 4				
87	417298-6	1	Lock Button				
89	819063-3	1	Makita Label				
90	233278-2	1	Compression Spring 4				
91	751099-5	1	Chuck Adapter				
92	251425-3	1	- Flat Head Screw M6X22				
100	652031-1	4	P.H. Screw M3X6				
101	654037-5	4	Insulated Terminal RBV1.25-3				
102	685730-0	1	Sponge (Add)				
Accessories							
A01	181573-3	1	Grease Vessel				
A02	321144-6	1	Depth Gauge				

* SEE SERVICE CHANGES

SERVICE CHANGES

1. Change on Housing Set and Armature Assy.



Item No.	Description	Type 1	Type 2
50	Housing Set	183247-2	183393-1
62	Armature Assy	519060-6	519066-4
	Serial #	~7734E	7735E

Above parts are completely interchangeable as a set.