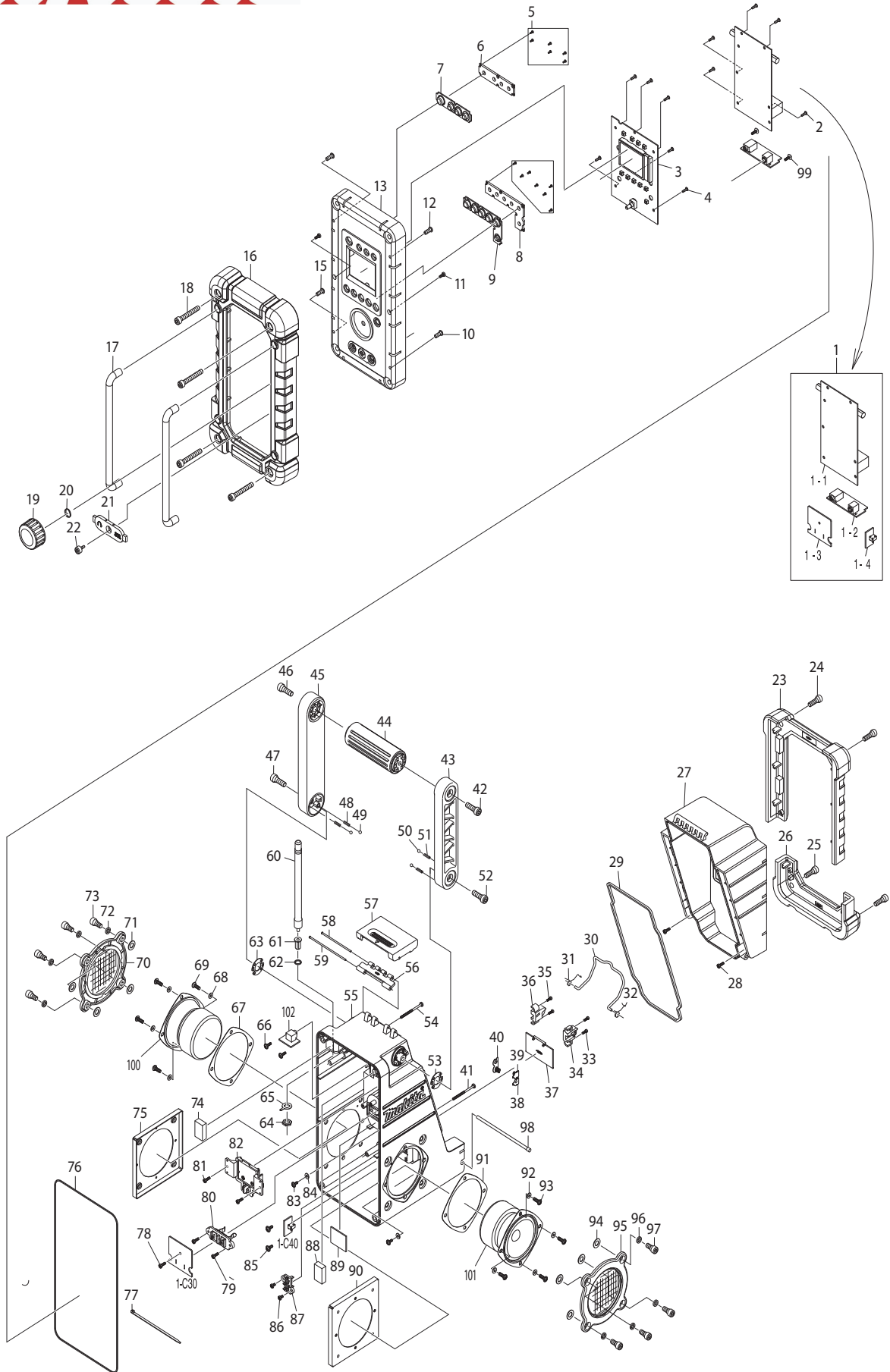




09 - 2014  
DMR102  
AM/FM JOB SITE RADIO



Item No	Type	Part No	Description	Qty	Unit
1		SE00000266	PCB-A ALL ASS'Y JP	1	PC.
1-1	INC.	SE00000267	CIRCUIT BOARD A	1	PC.
1-2	INC.	SE00000268	PCB-A DC_JACK ASS'Y	1	PC.
1-3	INC.	SE00000269	PCB-A PWR_WIRE ASS'Y	1	PC.
1-4	INC.	SE00000270	PCB-A BATT._DET ASS'Y	1	PC.
1-5	INC.	SE00000220	CIRCUIT BOARD C AUX-2 ASS'Y ( Image N/A )	1	PC.
2		SE09163102	SCREW M3X10	5	PC.
3		SE00000299	CIRCUIT BOARD C ASSY	1	PC.
4		SE09163102	SCREW M3X10	6	PC.
5		SE09090011	SCREW 1.7	13	PC.
6		SE020PC020	POWER BUTTON HOLDER	1	PC.
7		SE00000157	POWER BUTTON (GRY)	1	PC.
8		SE020PC030	PRESET BUTTON HOLDER	1	PC.
9		SE00000158	PRESET BUTTON (GRY)	1	PC.
10		SE09064161	SCREW M4X16	1	PC.
11		SE09163102	SCREW M3X10	2	PC.
12		SE09064161	SCREW M4X16	2	PC.
13		SE00000204	FRONT CABINET ASSY	1	PC.
15		SE09064161	SCREW M4X16	1	PC.
16		SE00000159	FRONT BUMPER	1	PC.
17		SE0338PC5Z	FRONT BAR	2	PC.
18		SE00000160	SCREW PTHE6X47(CR)	4	PC.
19		SE00000161	ROTARY KNOB	1	PC.
20		SE21B1110A	ROTARY KNOB RING	1	PC.
21		SE0335PC5Z	JACK COVER	1	PC.
22		SE09173106	HEX SCREW M3X10	1	PC.
23		SE00000162	BATTERY COVER BUMPER	1	PC.
24		SE09176166	HEX SCREW M6X16	2	PC.
25		SE09176166	HEX SCREW M6X16	2	PC.
26		SE00000165	REAR BUMPER	1	PC.
27		SE00000166	BATTERY COVER	1	PC.
28		SE09163102	SCREW M3X10	2	PC.
29		SE00000168	PACKING	1	PC.
30		SE00000169	SUPPORT BAR	1	PC.
31		SE00000170	SPRING-L	1	PC.
32		SE00000171	SPRING-R	1	PC.
33		SE09163102	SCREW M3X10	2	PC.
34		SE00000173	SPRING HOLDER-R	1	PC.
35		SE09163102	SCREW M3X10	2	PC.
36		SE00000175	SPRING HOLDER-L	1	PC.
37		SE0307PC5Z	BACK UP BATTERY COVER	1	PC.
38		SE021E9010	BATTERY CONTACT (+)	1	PC.
39		SE021E9020	BATTERY CONTACT (-)	1	PC.
40		SE021E9030	+/- BATTERY CONTACT ASS'Y	1	PC.
41		SE09163452	SCREW M3X45	1	PC.
42		SE00000176	SCREW PTHE6X20(CR)	1	PC.
43		SE00000177	HANDLE HOLDER(R)	1	PC.
44		SE00000179	HANDLE	1	PC.
45		SE00000180	HANDLE HOLDER (L)	1	PC.
46		SE00000176	SCREW PTHE6X20(CR)	1	PC.
47		SE09176166	HEX SCREW M6X16	1	PC.
48		SE00000184	SPRING	2	PC.
49		SE09994007	STEEL BALL	2	PC.
50		SE09994007	STEEL BALL	2	PC.
51		SE00000184	SPRING	2	PC.
52		SE09176166	HEX SCREW M6X16	1	PC.
53		SE00000187	HANDLE SUS-PLATE (R)	1	PC.
54		SE09163452	SCREW M3X45	1	PC.
55		SE00000188	REAR CABINET	1	PC.

Item No	Type	Part No	Description	Qty	Unit
56		SE00000067	LOCKER HINGER	1	PC.
57		SE00000190	BATTERY COVER LOCKER	1	PC.
58		SE021PC050	LOCKER FIXER PIN 63.8	1	PC.
59		SE021PC040	LOCKER FIXER PIN 79.5	1	PC.
60		SE00000191	ROD ANT (BLK)	1	PC.
61		SE021J9032	ROD ANT HOLDER	1	PC.
62		SE024J9050	PACKING	1	PC.
63		SE00000192	HANDLE SUS-PLATE(L)	1	PC.
64		SE021P0020	NUT	1	PC.
65		SE021PC100	ROD ANT TERMINAL	1	PC.
66		SE00000193	SCREW 3X10	2	PC.
67		SE024J9030	PACKING	1	PC.
68		SE024J9070	PACKING	4	PC.
69		SE09090023	SCREW M4X12	4	PC.
70		SE00000205	SPEAKER NET ASSY	1	PC.
71		SE024J9090	PACKING	4	PC.
72		SE024J9040	PACKING	4	PC.
73		SE9076146A	HEX SCREW M6X14	4	PC.
74		SE023PC020	EVA 25X18X5.5	1	PC.
75		SE021J9010	SPEAKER HOLDER	1	PC.
76		SE024PC040	PACKING	1	PC.
77		SE00000195	W/TIES 100MM	1	PC.
78		SE09163102	SCREW M3X10	1	PC.
79		SE09163102	SCREW M3X10	2	PC.
80		SE00000098	CLUSTER BATTERY HOLDER	1	PC.
81		SE09163102	SCREW M3X10	2	PC.
82		SE00000197	TERMINAL D	1	PC.
83		SE00000193	SCREW 3X10	2	PC.
84		SE00000199	SILICON RUBBER WASHER	2	PC.
85		SE00000193	SCREW 3X10	2	PC.
86		SE09163062	SCREW M3X6	2	PC.
87		SE00000200	TERMINAL C	1	PC.
88		SE023PC020	EVA 25X18X5.5	2	PC.
89		SE02311000	SPACER (A)	1	PC.
90		SE021J9010	SPEAKER HOLDER	1	PC.
91		SE024J9030	PACKING	1	PC.
92		SE024J9070	PACKING	4	PC.
93		SE09090023	SCREW M4X12	4	PC.
94		SE024J9090	PACKING	4	PC.
95		SE00000205	SPEAKER NET ASSY	1	PC.
96		SE024J9040	PACKING	4	PC.
97		SE9076146A	HEX SCREW M6X14	4	PC.
98		SE021PC030	BATTERY COVER LOCKER	1	PC.
99		SE00000193	SCREW 3X10	2	PC.
100		SE01620771	SPEAKER	1	PC.
101		SE01620771	SPEAKER	1	PC.

**ACCESSORIES**

A01		SE00000077	AC ADAPTER 3A83PCF01B11	1	PC.
A02		-----	<a href="#">10.8V-18V LI-ION BATTERY</a>		
			***See other Batteries below		
A03		-----	<a href="#">BATTERY CHARGER</a>		

**\*\*\* OTHER USABLE MAKITA BATTERIES**

Ni-MH 9.6V-18V (1234,1235,1434,1435,1834,1835, 9134, 9135, BH9020, BH9033)

Ni-Cad 9.6V-18V (1202,1220,1222,1420,1422,1822, 9100, 9120, 9122, PA09, PA12, PA14, PA18)