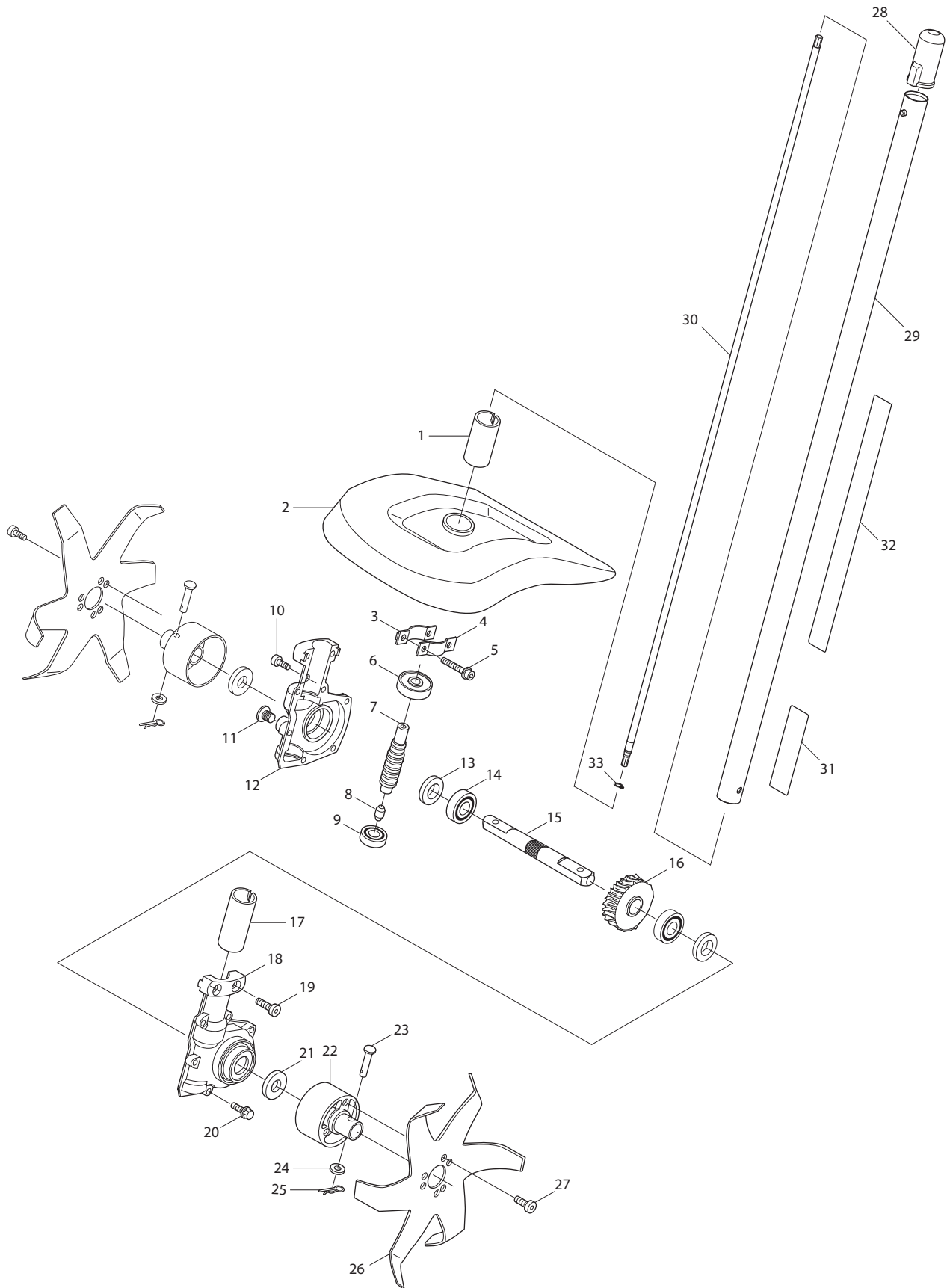




03 - 2012
KR400MP
Cultivate Attachment
(For EX2650LH, HXU03ZX2)



Item No.	Type	Sub	Part No.	Description	Qty	Unit
1			328145600N	COVER SLEEVE	1	PC.
2	1		328145100N	BLADE COVER	1	PC.
	2		XNR0000441	BLADE COVER	1	PC.
3	1		311030200N	CLAMPING COLLAR	1	PC.
	2		XNR0000436	CLAMPING COLLAR	1	PC.
4	1		311030300N	GUARD CLAMP B	1	PC.
	2		XNR0000487	GUARD CLAMP B	1	PC.
5			065063000N	TORX BOLT M6X30	2	PC.
6	1		035630102C	BALL BEARING #6301ZZ	1	PC.
	2		XNR0000060	BALL BEARING #6301ZZ	1	PC.
7	1		328130400N	WORM	1	PC.
	2		XNR0000439	WORM	1	PC.
8	1		312910500N	PLUG	1	PC.
	2		XNR0000484	PLUG	1	PC.
9	1		035600102C	BALL BEARING #6001ZZ	1	PC.
	2		XNR0000052	BALL BEARING #6001ZZ	1	PC.
10	1		065051000N	TORX BOLT M5X10	1	PC.
	2		XNR0000094	TORX BOLT M5X10	1	PC.
11	1		090181000N	PLUG	1	PC.
	2		XNR0000123	PLUG	1	PC.
12	1		329830200N	WORM CASE B	1	PC.
	2		XNR0000452	WORM CASE B	1	PC.
13	1		039173007N	OIL SEAL	2	PC.
	2		XNR0000063	OIL SEAL	2	PC.
14	1		035600302C	BALL BEARING #6003ZZ	2	PC.
	2		XNR0000055	BALL BEARING #6003ZZ	2	PC.
15	1		329830600N	SHAFT	1	PC.
	2		XNR0000454	SHAFT	1	PC.
16	1		329830500N	WHEEL	1	PC.
	2		XNR0000453	WHEEL	1	PC.
17	1		328133000N	CASE SLEEVE	1	PC.
	2		XNR0000485	CASE SLEEVE	1	PC.
18	1		329830100N	WORM CASE	1	PC.
	2		XNR0000451	WORM CASE	1	PC.
19	1		065061800N	TORX SCREW M6X18	2	PC.
	2		XNR0000113	TORX SCREW M6X18	2	PC.
20	1		028516263N	BOLT M5X16	6	PC.
	2		XNR0000021	BOLT M5X16	6	PC.
21	1		031160002N	PLAIN WASHER	2	PC.
	2		XNR0000481	PLAIN WASHER	2	PC.
22	1		329820100N	HUB	2	PC.
	2		XNR0000486	HUB	2	PC.
23	1		329820300N	PIN	2	PC.
	2		XNR0000475	PIN 8X30	2	PC.
24	1		031080001N	WASHER 8 (SMALL)	2	PC.
	2		XNR0000471	WASHER 8 (SMALL)	2	PC.
25	1		051081600N	PIN R	2	PC.
	2		XNR0000472	PIN R	2	PC.
26	1		311020200N	ROTOR	2	PC.
	2		XNR0000435	ROTOR	2	PC.
27	1		065061200N	TORX BOLT M6X12	6	PC.
	2		XNR0000109	TORX BOLT M6X12	6	PC.
28			424434-7	CAP 24	1	PC.
29			141106-6	SHAFT PIPE A COMPLETE	1	PC.
30			326088-5	SHAFT A	1	PC.
31			819312-8	MAKITA LOGO LABEL	1	PC.
32			893786-1	CAUTION LABEL	1	PC.
33			961003-8	RETAINING RING S-7	1	PC.