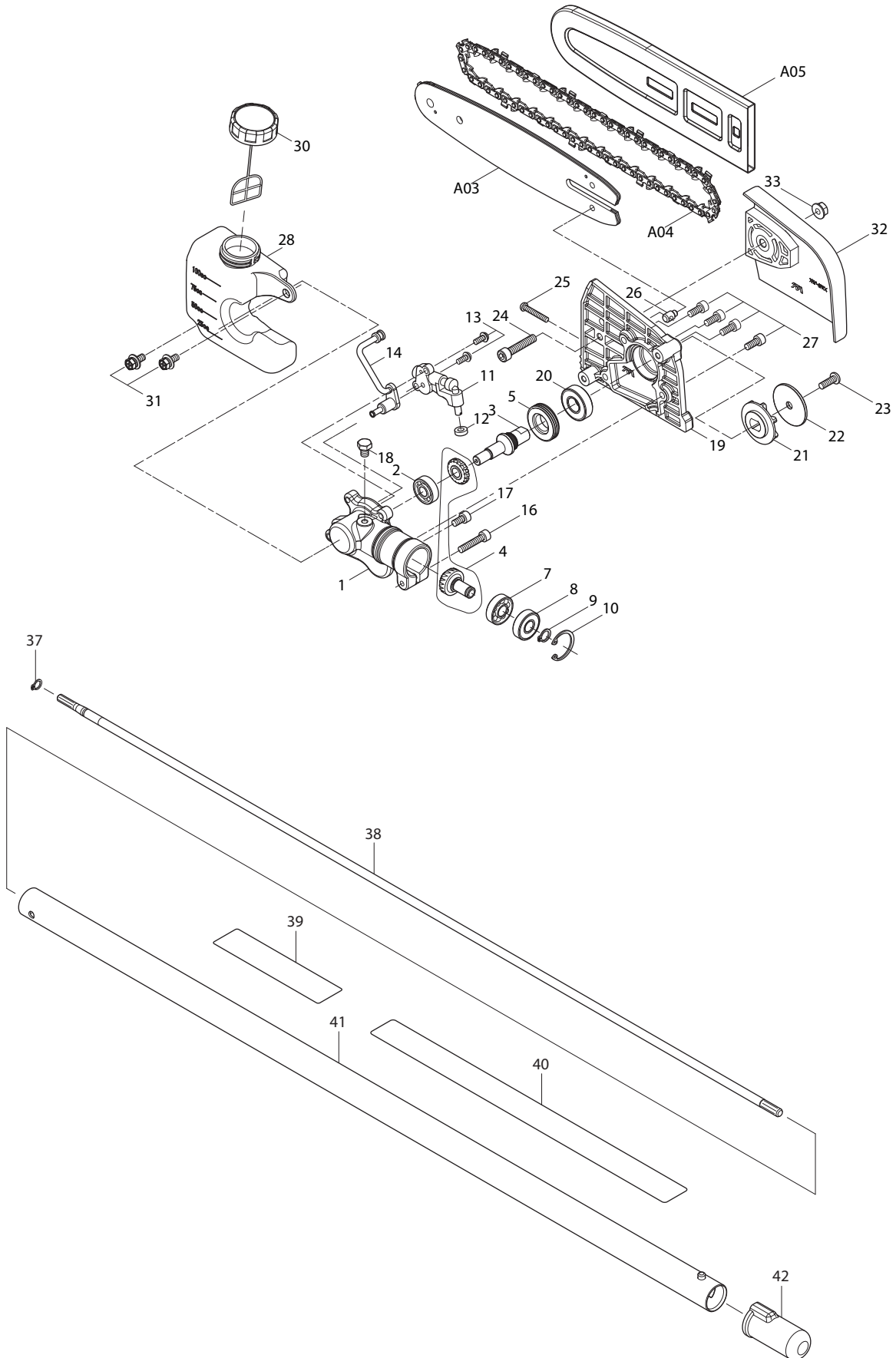




06 - 2012
EY401MP
CHAIN SAW ATTACHMENT
(For Model EX2650LH, HXU03ZX2)



| Item No | Type | Part No | Description | Qty | Unit |
|---------|------|------------|------------------------------|-----|------|
| 1 | | XTM0000001 | GEAR CASE A | 1 | PC. |
| 2 | | XTM0000002 | BALL BEARING 608 | 1 | PC. |
| 3 | 1 | XTM0000003 | GEAR SHAFT | 1 | PC. |
| | 2 | XTM0000024 | GEAR SHAFT | 1 | PC. |
| 4 | | XTM0000004 | BEVEL GEAR SET | 1 | PC. |
| 5 | | XTM0000005 | WORM WHEEL | 1 | PC. |
| 7 | | XTM0000006 | BALL BEARING 609 | 1 | PC. |
| 8 | | XTM0000007 | BALL BEARING 609Z | 1 | PC. |
| 9 | | 961005-4 | RETAINING RING S-9 | 1 | PC. |
| 10 | | 962103-7 | RETAINING RING R-24 | 1 | PC. |
| 11 | 1 | XTM0000008 | OIL PUMP | 1 | PC. |
| | 2 | XTM0000025 | OIL PUMP | 1 | PC. |
| 12 | | XTM0000009 | SEAL | 1 | PC. |
| 13 | | 911111-5 | PAN HEAD SCREW M4X10 | 2 | PC. |
| 14 | | XTM0000010 | OIL PIPE ASS'Y | 1 | PC. |
| 16 | | 922242-5 | HEX. SOCKET HEAD BOLT M5X25 | 1 | PC. |
| 17 | | 922207-7 | HEX. SOCKET HEAD BOLT M5X10 | 1 | PC. |
| 18 | | XTM0000011 | HB BOLT 6X8 | 1 | PC. |
| 19 | 1 | XTM0000012 | GEAR CASE B | 1 | PC. |
| | 2 | XTM0000026 | GEAR CASE B | 1 | PC. |
| 20 | | XTM0000013 | BALL BEARING 6001DDW | 1 | PC. |
| 21 | | XTM0000014 | SPROCKET | 1 | PC. |
| 22 | | XTM0000015 | SPEOCKET WASHER | 1 | PC. |
| 23 | | XTM0000016 | H.S. BOTTON HEAD SCREW M6X15 | 1 | PC. |
| 24 | | 922352-8 | HEX. SOCKET HEAD BOLT M6X30 | 1 | PC. |
| 25 | | XTM0000017 | ADJUSTER SCREW M4X25 | 1 | PC. |
| 26 | | XTM0000018 | ADJUSTER | 1 | PC. |
| 27 | | 922212-4 | HEX. SOCKET HEAD BOLT M5X12 | 4 | PC. |
| 28 | | XTM0000019 | OIL TANK ASS'Y | 1 | PC. |
| 30 | | XTM0000020 | TANK CAP ASS'Y | 1 | PC. |
| 31 | | XTM0000021 | H.S.H.BOLT M5X12SW | 2 | PC. |
| 32 | | XTM0000022 | CHAIN COVER | 1 | PC. |
| 33 | | XTM0000023 | FLANGE NUT M6 | 1 | PC. |
| 37 | | 961003-8 | RETAINING RING S-7 | 1 | PC. |
| 38 | | 326088-5 | SHAFT A | 1 | PC. |
| 39 | | 819312-8 | MAKITA LOGO LABEL | 1 | PC. |
| 40 | | 800E07-4 | CAUTION LABEL EN, PICTURE | 1 | PC. |
| 41 | | 141106-6 | SHAFT PIPE A COMPLETE | 1 | PC. |
| 42 | | 424434-7 | CAP 24 | 1 | PC. |
| C01 | | 873654-4 | CARTON for MC | 1 | PC. |

ACCESSORIES

| | | | | | |
|-----|--|----------|--------------------------------|---|-----|
| A01 | | 782233-6 | BOX DRIVER 10-16 | 1 | PC. |
| A02 | | 783020-6 | - DRIVER | 1 | PC. |
| A03 | | 165695-7 | GUIDE BAR 10" | 1 | PC. |
| A04 | | 196142-7 | 3/8" SEMI-CHISEL CHAIN 50G 10" | 1 | PC. |
| A05 | | 452093-7 | GUIDE BAR CASE | 1 | PC. |