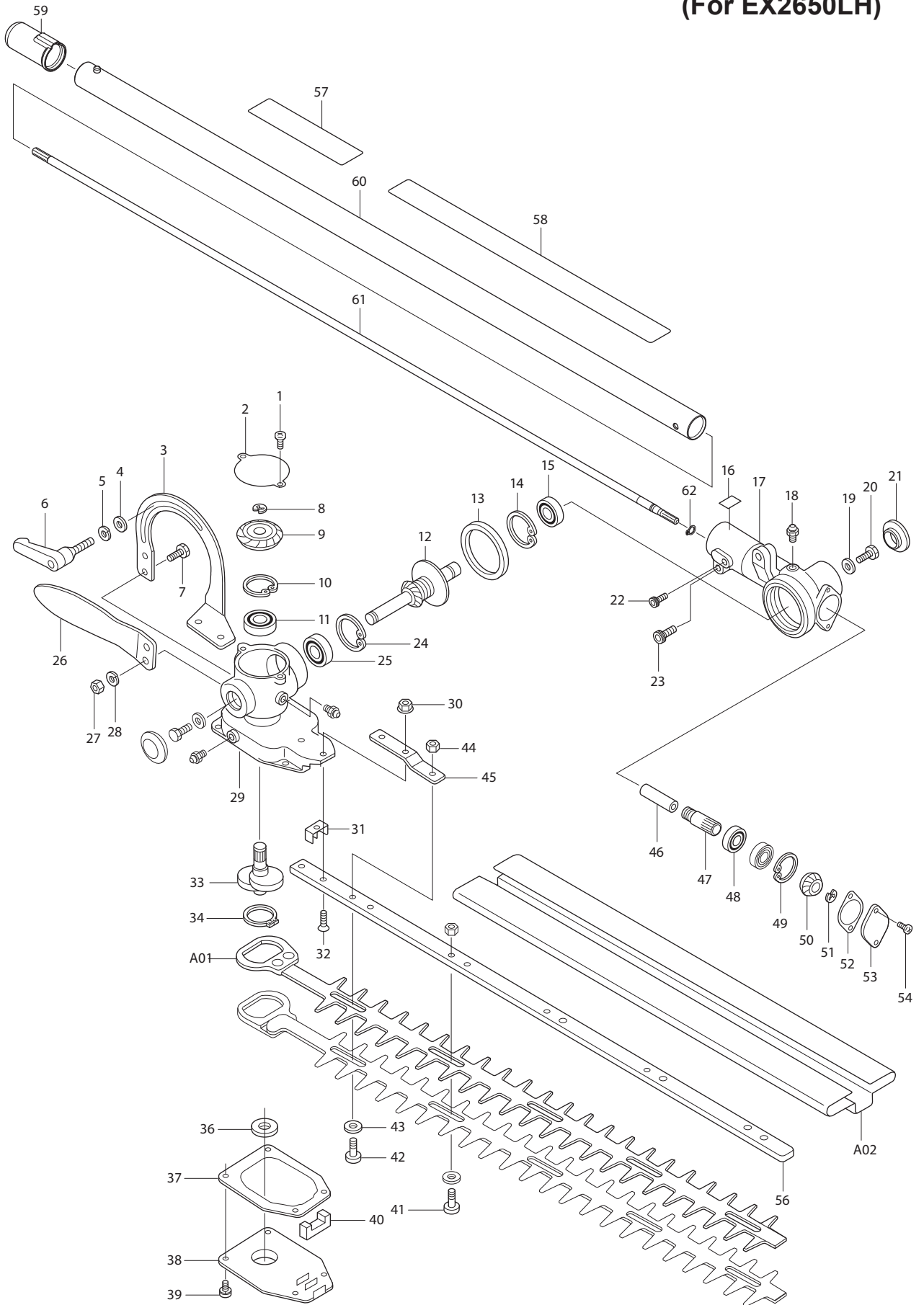




03 - 2012
EN400MP
HEDGE TRIMMER ATTACHMENT
(For EX2650LH)



Item No	Type	Part No	Description	Qty	Unit
1	1	0016040080	SCREW ASSEMBLY	2	PC.
	2	016040080K	SCREW M4X8	2	PC.
2	1	0196112004	PLATE	1	PC.
	2	196112004A	PLATE	1	PC.
3	1	0224145003	PLATE	1	PC.
	2	224145003A	PLATE	1	PC.
4	1	0207060209	WASHER	1	PC.
	2	207060209K	WASHER	1	PC.
5	1	0210060000	SPRING WASHER	1	PC.
	2	210060000K	SPRING WASHER M6	1	PC.
6	1	0034000900	CLAMP LEVER	1	PC.
	2	034000900R	CLAMP LEVER	1	PC.
7	1	0054060220	CROSS RECESS BOLT ASSEMBLY	2	PC.
	2	054060220K	BOLT M6X22	2	PC.
8	1	0280006000	CLIP	1	PC.
	2	280006000K	STOP RING ETW6	1	PC.
9	1	0023500444	GEAR	1	PC.
	2	023500444A	BEVEL GEAR	1	PC.
10	1	0282026000	INNER SNAPRING	1	PC.
	2	282026000K	SNAP RING (INNER) R26	1	PC.
11	1	0354060000	BALL BEARING	1	PC.
	2	354060000K	BALL BEARING 6000	1	PC.
12	1	0224130004	GEAR COMPL	1	PC.
	2	224130004A	GEAR SHAFT	1	PC.
13	1	0440P41000	RING-O	1	PC.
	2	440P41000K	O RING	1	PC.
14	1	0282026000	INNER SNAPRING	1	PC.
	2	282026000K	SNAP RING (INNER) R26	1	PC.
15	1	0354060000	BALL BEARING	1	PC.
	2	354060000K	BALL BEARING 6000	1	PC.
16		6019505700	LABEL	1	PC.
17		6013509000	CASE B	1	PC.
18	1	0055000100	GREASE NIPPLE M6	3	PC.
	2	055000100R	GREASING NIPPLE	3	PC.
19	1	0207060209	WASHER	2	PC.
	2	207060209K	WASHER M6	2	PC.
20	1	0054060120	CROSS RECESS BOLT ASSEMBLY	2	PC.
	2	054060120K	BOLT M6X12	2	PC.
21	1	0224147004	CAP	2	PC.
	2	224147004A	CAP	2	PC.
22	1	0080050120	SOCKET HEAD BOLT M5X12	1	PC.
	2	080050120K	SOCKET HEAD BOLT M5X12	1	PC.
23	1	0081050252	SOCKET HEAD BOLT M5X25	1	PC.
	2	081050252K	SOCKET HEAD BOLT M5X25	1	PC.
24	1	0282022000	INNER SNAPRING	1	PC.
	2	282022000K	SNAP RING (INNER) R22	1	PC.
25	1	0354006080	BALL BEARING	1	PC.
	2	354006080K	BALL BEARING 608	1	PC.
26	1	0224141003	HANDLE	1	PC.
	2	224141003A	HANDLE	1	PC.
27	1	0150060000	NUT	2	PC.
	2	150060000K	HEX. NUT M6	2	PC.
28	1	0210060000	SPRING WASHER	2	PC.
	2	210060000K	SPRING WASHER M6	2	PC.
29	1	0224148002	CASE A	1	PC.
	2	224148002A	CASE A	1	PC.
30		0162050000	FLANGE NUT M5	2	PC.
31	1	0224131004	GUIDE	1	PC.
	2	224131004A	GUIDE	1	PC.
32	1	0031050200	SCREW	2	PC.
	2	031050200K	+ COUNTERSUNK HEAD SCREW M5X20	2	PC.
33	1	0024000053	CRANKSHAFT	1	PC.

Item No	Type	Part No	Description	Qty	Unit
	2	024000053A	CRANK SHAFT	1	PC.
34	1	0283028000	OUTER SNAPRING	1	PC.
	2	283028000K	RETAINING RING STW-26	1	PC.
36	1	0353006080	BALL BEARING ZZ 608	1	PC.
	2	353006080K	BEARING 608ZZ	1	PC.
37	1	0224154004	PACKIN	1	PC.
	2	224154004A	PACKING	1	PC.
38	1	0224153003	CASE LOWER	1	PC.
	2	224153003A	CASE LOWER	1	PC.
39	1	* 0054040125	BOLT ASSEMBLY, CROSS RECESS M4	4	PC.
	2	* 0078040124	SOCKET HEAD BOLT M4 X 12	4	PC.
40	1	0224112004	FELT	1	PC.
	2	224112004A	FELT	1	PC.
41	1	0040001009	SCREW	4	PC.
	2	040001009A	BLADE SLIDE SCREW L17	4	PC.
42	1	0040002009	SCREW L=19	1	PC.
	2	040002009A	BLADE SLIDE SCREW L19	1	PC.
43		0082500000	BLADE SLIDING WASHER	5	PC.
44	1	0164060000	U-NUT M6	5	PC.
	2	164060000K	HEX. U-NUT M6	5	PC.
45	1	0224108004	PLATE	1	PC.
	2	224108004A	PLATE	1	PC.
46	1	0224146004	JOINT R	1	PC.
	2	224146004A	JOINT R	1	PC.
47	1	0196109004	GEAR SHAFT B	1	PC.
	2	196109004A	GEAR SHAFT B	1	PC.
48	1	0352069000	BALL BEARING	2	PC.
	2	352069000K	BALL BEARING 6900	2	PC.
49	1	0282022000	INNER SNAPRING	1	PC.
	2	282022000K	SNAP RING (INNER) R22	1	PC.
50	1	0023500434	GEAR	1	PC.
	2	023500434A	BEVEL GEAR	1	PC.
51	1	0280006000	CLIP	1	PC.
	2	280006000K	STOP RING ETW6	1	PC.
52	1	0196114004	PACKIN	1	PC.
	2	196114004A	PACKING	1	PC.
53	1	0196113004	PLATE	1	PC.
	2	196113004A	PLATE	1	PC.
54	1	0016040080	SCREW ASSEMBLY	2	PC.
	2	016040080K	SCREW M4X8	2	PC.
56	1	0224144003	GUIDE PLATE	1	PC.
	2	224144003A	GUIDE PLATE	1	PC.
57		819312-8	MAKITA LOGO LABEL	1	PC.
58		893784-5	CAUTION LABEL	1	PC.
59		424434-7	CAP 24	1	PC.
60		141106-6	SHAFT PIPE A COMPLETE	1	PC.
61		326088-5	SHAFT A	1	PC.
62		961003-8	RETAINING RING S-7	1	PC.
ACCESSORIES					
A01	1	0224143009	BLADE	2	PC.
	2	224143009A	BLADE	2	PC.
A02	1	0028200039	BLADE COVER	1	PC.
	2	028200039A	BLADE COVER	1	PC.

1. Changes on Cross Recess Bolt

(T/I# Y06429)

Item No.	Description	Type 1	Type 2
68	CROSS RECESS BOLT ASSEMBLY	0054040120	0078040124

