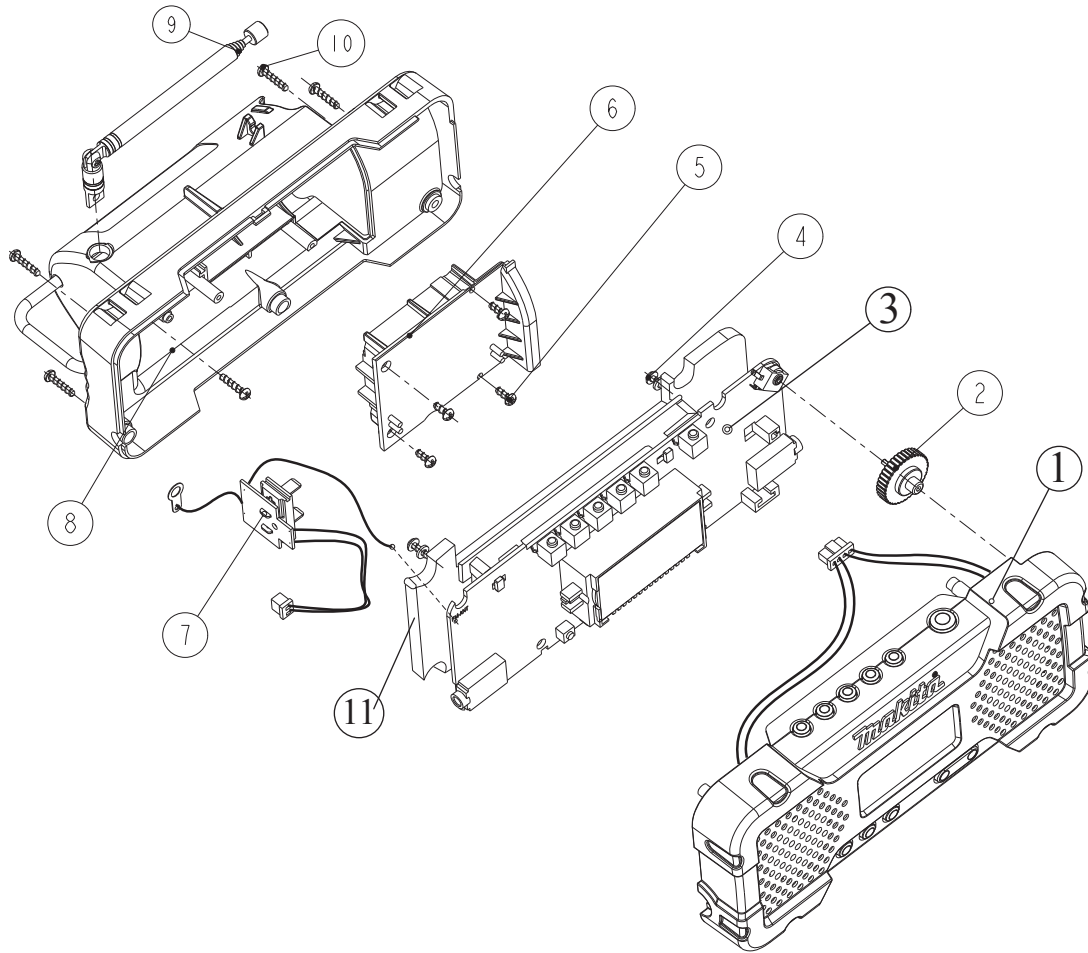




07 - 2011  
RM01  
10.8V /12V RADIO



Item No.	Part No.	Description	Qty	Unit
1	1	GM00001200 * FRONT BODY ASSY	1	PC.
	2	GM00001215 * FRONT BODY ASSY	1	PC.
2		GM00001201 TUNING KNOB	1	PC.
3	1	GM00001202 * MAIN CIRCUIT ASSY	1	PC.
	2	GM00001217 * MAIN CIRCUIT ASSY	1	PC.
4		GM00001203 SCREW 2.3X10PWA	2	PC.
5		GM00001204 SCREW 2.3X6BB	4	PC.
6		GM00001205 BATTERY COVER	1	PC.
7		GM00001206 TERMINAL ASSY	1	PC.
8		GM00001207 BACK BODY ASSY	1	PC.
9		GM00001208 ROD ANTENNA	1	PC.
10		GM00001209 SCREW 2.6X12BB	6	PC.
11		GM00001222 * SOUND SPONGE (Added)	1	PC.

#### **ACCESSORIES**

A01	DC10WB	CHARGER DC10WB	1	PC.
A02	194551-4	10.8V LI-ION BATTERY BL1013	1	PC.
	195332-9	12V LI-ION BATTERY BL1014	1	PC.
A03	GM00001245	SHOULDER BAND	1	PC.

#### **SERVICE CHANGES**

##### **1. Change on Front body and Main Circuit Assy to improve sound quality**

Item No.	Description	Type 1	Type 2
1	Front body assy	GM00001200	GM00001215
3	Main circuit assy	GM00001202	GM00001217
11	Sound sponge	-----	GM00001222

**Above parts are completely interchangeable as a set.**

- The speaker diameter has been changed from 31mm to 36mm.
- Sound sponge has been added.