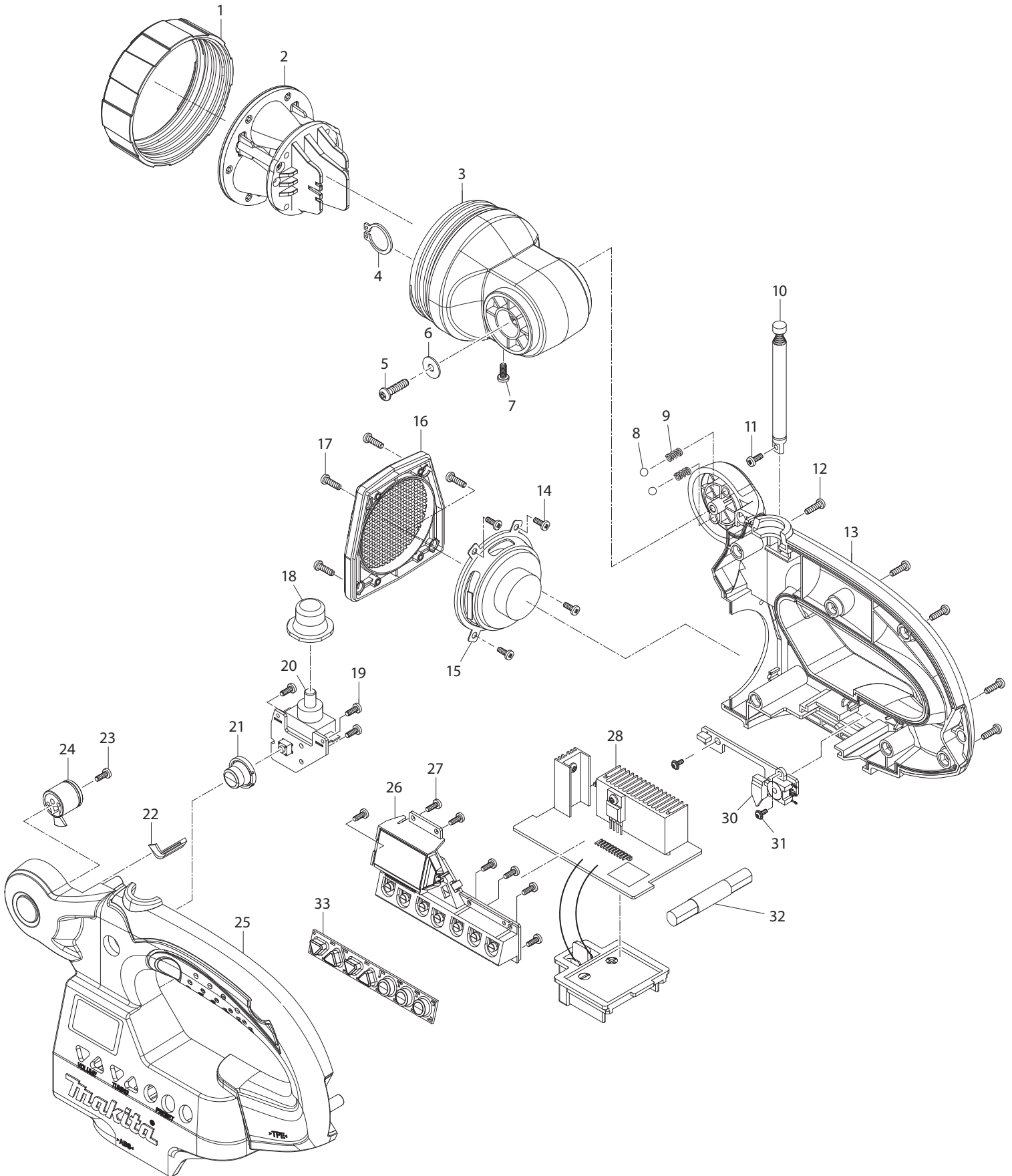




10 - 2011

LXRM01

14.4/18V FLASHLIGHT+AM/FM RADIO



| Item No. | Type | Sub  | Part No.   | Description          | Qty | Unit |
|----------|------|------|------------|----------------------|-----|------|
| 1        |      |      | SE00000108 | LIGHT COVER          | 1   | PC.  |
| 2        |      |      | SE00000109 | LED MODULE           | 1   | PC.  |
|          |      | INC. | SE00000110 | REFLECTOR            | 1   | PC.  |
| 3        |      |      | SE00000111 | LIGHT REAR COVER     | 1   | PC.  |
| 4        |      |      | SE00000112 | C RING               | 1   | PC.  |
| 5        |      |      | SE00000113 | SCREW M4X15          | 1   | PC.  |
| 6        |      |      | SE00000114 | WASHER 4             | 1   | PC.  |
| 7        |      |      | SE00000115 | SCREW M3X8           | 1   | PC.  |
| 8        |      |      | SE00000116 | STEEL BALL 4         | 2   | PC.  |
| 9        |      |      | SE00000117 | CLICK SPRING         | 2   | PC.  |
| 10       |      |      | SE00000118 | ROD ANTENNA          | 1   | PC.  |
| 11       |      |      | SE00000119 | SCREW M2.6X7         | 1   | PC.  |
| 12       |      |      | SE00000120 | SCREW M3X10          | 5   | PC.  |
| 13       |      |      | SE00000121 | REAR CABINET         | 1   | PC.  |
| 14       |      |      | SE00000119 | SCREW M2.6X7         | 4   | PC.  |
| 15       |      |      | SE00000122 | SPEAKER KIT          | 1   | PC.  |
| 16       |      |      | SE00000123 | SPEAKER GRILL        | 1   | PC.  |
| 17       |      |      | SE00000120 | SCREW M3X10          | 4   | PC.  |
| 18       |      |      | SE00000124 | PUSH KNOB            | 1   | PC.  |
| 19       |      |      | SE00000119 | SCREW M2.6X7         | 3   | PC.  |
| 20       |      |      | SE00000125 | LIGHT KNOB ASSY      | 1   | PC.  |
| 21       |      |      | SE00000126 | PUSH KNOB            | 1   | PC.  |
| 22       |      |      | SE00000127 | WIRE COVER           | 1   | PC.  |
| 23       |      |      | SE00000119 | SCREW M2.6X7         | 1   | PC.  |
| 24       |      |      | SE00000128 | LIGHT SHAFT          | 1   | PC.  |
| 25       |      |      | SE00000129 | FRONT CABINET        | 1   | PC.  |
| 26       |      |      | SE00000131 | CIRCUIT BOARD C ASSY | 1   | PC.  |
| 27       |      |      | SE00000119 | SCREW M2.6X7         | 7   | PC.  |
| 28       |      |      | SE00000133 | CIRCUIT BOARD A ASSY | 1   | PC.  |
| 30       |      |      | SE00000134 | SENSOR TERMINAL ASSY | 1   | PC.  |
| 31       |      |      | SE00000135 | SCREW M2X5           | 2   | PC.  |
| 32       |      |      | SE00000136 | BAR ANTENNA ASSY     | 1   | PC.  |
| 33       |      |      | SE00000137 | PUSH KNOB FUNCTION   | 1   | PC.  |

### **ACCESSORIES**

|     |   |  |            |  |   |     |
|-----|---|--|------------|--|---|-----|
| A01 |   |  | SE00000138 | STRAP                                      | 1 | PC. |
| A02 | 1 |  | DC18RA     | CHARGER DC18RA                             | 1 | PC. |
|     | 2 |  | DC18RC     | CHARGER DC18RC                             | 1 | PC. |
|     |   |  | DC18SD     | CHARGER DC18SD                             | 1 | PC. |
|     |   |  | DC18SE     | AUTOMOTIVE CHARGER DC18SE                  | 1 | PC. |
|     |   |  | DC24SC     | CHARGER DC24SC                             | 1 | PC. |
|     |   |  | DC18RAKIT  | CHARGER, BATTERY SET BL1830 DC18RA (N/L/A) | 1 | PC. |
| A03 |   |  | 194559-8   | 14.4V LI-ION BATTERY BL1415                | 1 | PC. |
|     |   |  | 194066-1   | 14.4V LI-ION BATTERY BL1430                | 1 | PC. |
|     |   |  | 194397-8   | 14.4V LI-ION BATTERY BL1430 2PC/PK         | 1 | PK  |
|     |   |  | 194309-1   | 18V LI-ION BATTERY BL1815                  | 1 | PC. |
|     |   |  | 194428-3   | 18V LI-ION BATTERY BL1815 2PC/PK           | 1 | PK  |
|     |   |  | 194604-9   | 18V LI-ION BATTERY BL1815 10PC/PK          | 1 | PK  |
|     |   |  | 194205-3   | 18V LI-ION BATTERY BL1830                  | 1 | PC. |
|     |   |  | 194230-4   | 18V LI-ION BATTERY BL1830 2PC/PK           | 1 | PK  |
|     |   |  | 194288-3   | 18V LI-ION BATTERY BL1830 10PC/PK          | 1 | PK  |