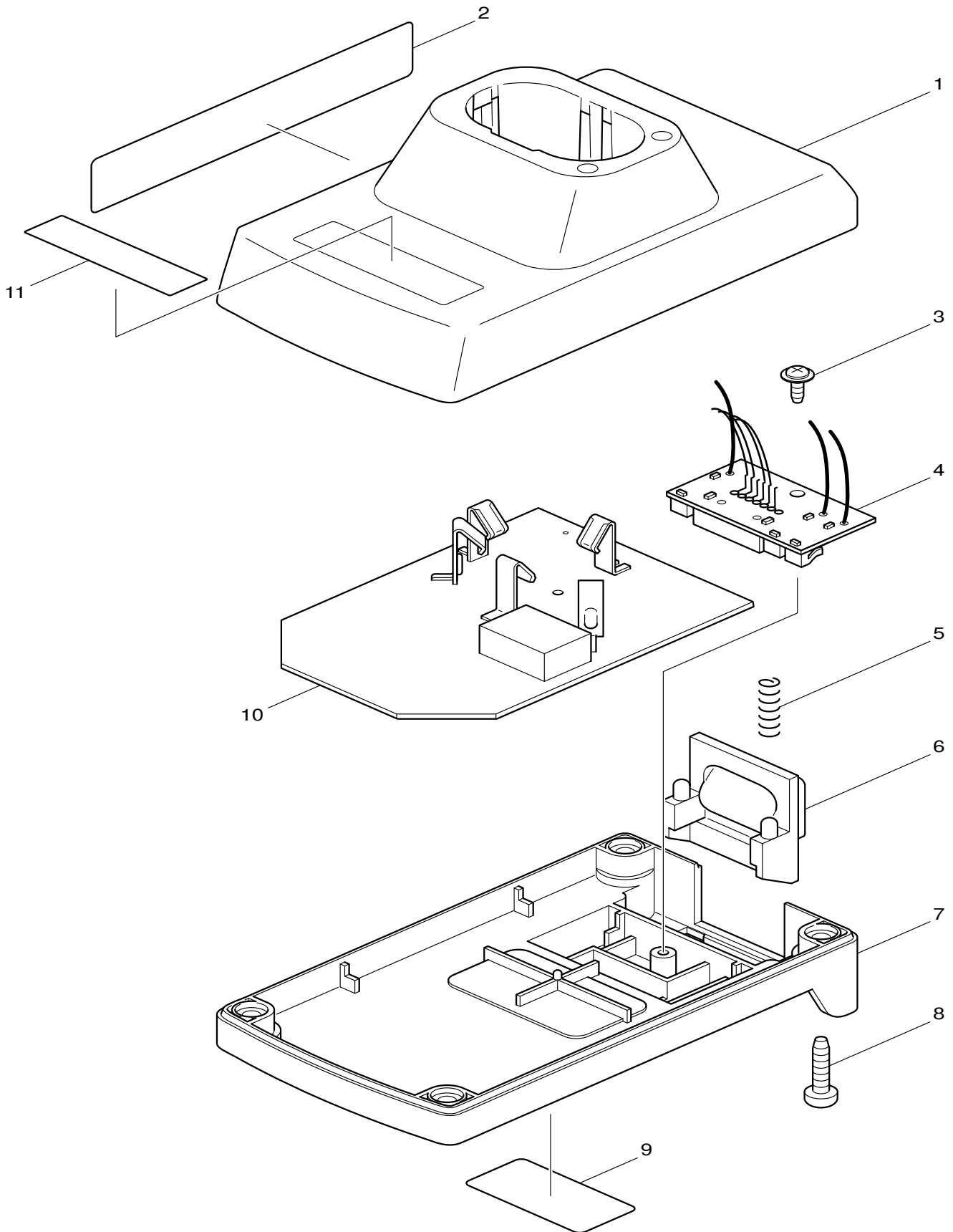


Item No.	Part No.	No. Used	Description	Item No.	Part No.	No. Used	Description
< 2	183514-5	1	Adapter Case	11	417412-4	1	Spring Holder
3	638023-4	1	Terminal Unit	12	266279-5	1	Tapping Screw Flange BT3X16
4	631510-2	1	Adapter Circuit	13	233194-8	1	Compression Spring 4
5	233194-8	2	Compression Spring 4	14	266278-7	1	Tapping Screw Flange BT3X10
6	417368-1	1	Hook				
8	265874-8	4	Tapping Screw 4X20				
10	631418-0	1	Terminal Board				



<u>ITEM #</u>	<u>PART #</u>	<u>DESCRIPTION</u>	<u>QT' Y</u>	<u>UNIT</u>
1	188037-8	ADAPTER CASE SET (INC. 11)	1	
3	266278-7	TAPPING SCREW FLANGE BT3X10	1	PC.
4	631615-8	TERMNAL BOARD	1	
5	233194-8	COMPRESSION SPRING 4	2	PC.
6	418609-8	HOOK	1	
7	418607-2	ADAPTER CASE COVER	1	
8	265874-8	TAPPING SCREW BT 4X20	4	PC.
10	631616-6	ADAPTER CIRCUIT	1	
11	819063-3	MAKITA LABEL	1	PC.