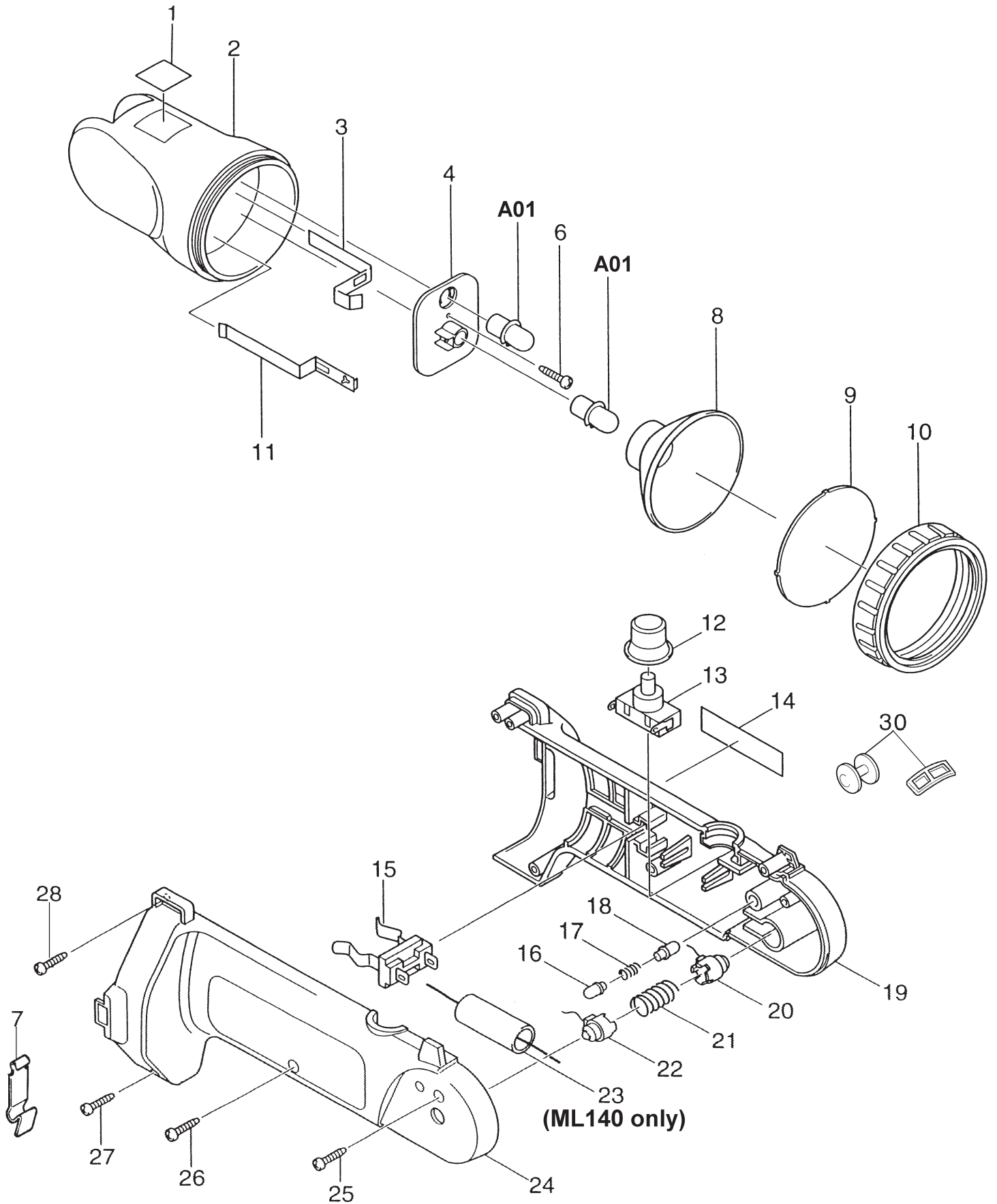




10 - 2010
ML120 - 12V FLASHLIGHT
ML140 - 14V FLASHLIGHT



Item No.	Type	Sub	Part No.	Description	Qty	Unit
1			819088-7	LABEL	1	PC.
2			GM00000020	HEAD	1	PC.
3			GM00000110	BULB CONTACT PLATE (+)	1	PC.
4			GM00000080	PROTECTOR F/CONTACT	1	PC.
6			GM00000150	SCREW 3X12	1	PC.
7			343579-1	SET PLATE	1	PC.
8			GM00000130	REFLECTOR	1	PC.
9			GM00000070	LENS	1	PC.
10			GM00000010	REFLECTOR RETAINER	1	PC.
11			GM00000120	BULB CONTACT PLATE (-)	1	PC.
12			421540-9	COVER	1	PC.
13			651709-3	SWITCH	1	PC.
14			859520-9	NAME PLATE F/ML120	1	PC.
14			859522-5	NAME PLATE F/ML140	1	PC.
15			643926-9	BATTERY HOLDER	1	PC.
16			415811-4	KNOCK SHAFT	1	PC.
17			GM00000090	COMPRESSION SPRING 4	1	PC.
18			415811-4	KNOCK SHAFT	1	PC.
19			GM00000040	HOUSING L (ML120)	1	PC.
			GM00000060	HOUSING L (ML140)	1	PC.
20			632523-6	PIVOT TERMINAL UNIT L	1	PC.
21			GM00000100	COMPRESSION SPRING 7	1	PC.
22			632524-4	PIVOT TERMINAL UNIT R	1	PC.
23			GM00000140	REGISTER SET (ML140)	1	PC.
24			GM00000030	HOUSING R (ML120)	1	PC.
			GM00000050	HOUSING R (ML140)	1	PC.
25			265869-1	SCREW	1	PC.
26			265869-1	SCREW	1	PC.
27			265869-1	SCREW	1	PC.
28			265869-1	SCREW	1	PC.
29			655000-B	CIGARETTE LIGHTER PLUG	1	PC.
30	1		415812-2	HOOK BUTTOM (Use with Item No. A02 Type1) - N/L/A	2	PC.
	2		345261-8	HOOK PLATE (Use with Item No. A02 Type2)	2	PC.
ACCESSORIES						
A01			A-90233	BULB SET, 2PC/SET	1	SET
A02	1		415813-0	STRAP (Use with Item No. 30 Type1)	1	PC.
	2		417926-3	STRAP (Use with Item No. 30 Type2)	1	PC.
A03			414938-7	BATTERY COVER	1	PC.
A04			192681-5	12V NI-CAD BTTRY 1220	1	PC.
			192598-2	12V NI-CAD BTTRY 1222	1	PC.
			193157-5	12V NI-MH BTTRY 1234	1	PC.
			192600-1	14.4V NI-CAD BTTRY 1422	1	PC.
A05			DC1414	CHARGER DC1414	1	PC.
			DC1804	CHARGER DC1804	1	PC.
			DC1822	AUTOMOTIVE CHARGER DC1822	1	PC.