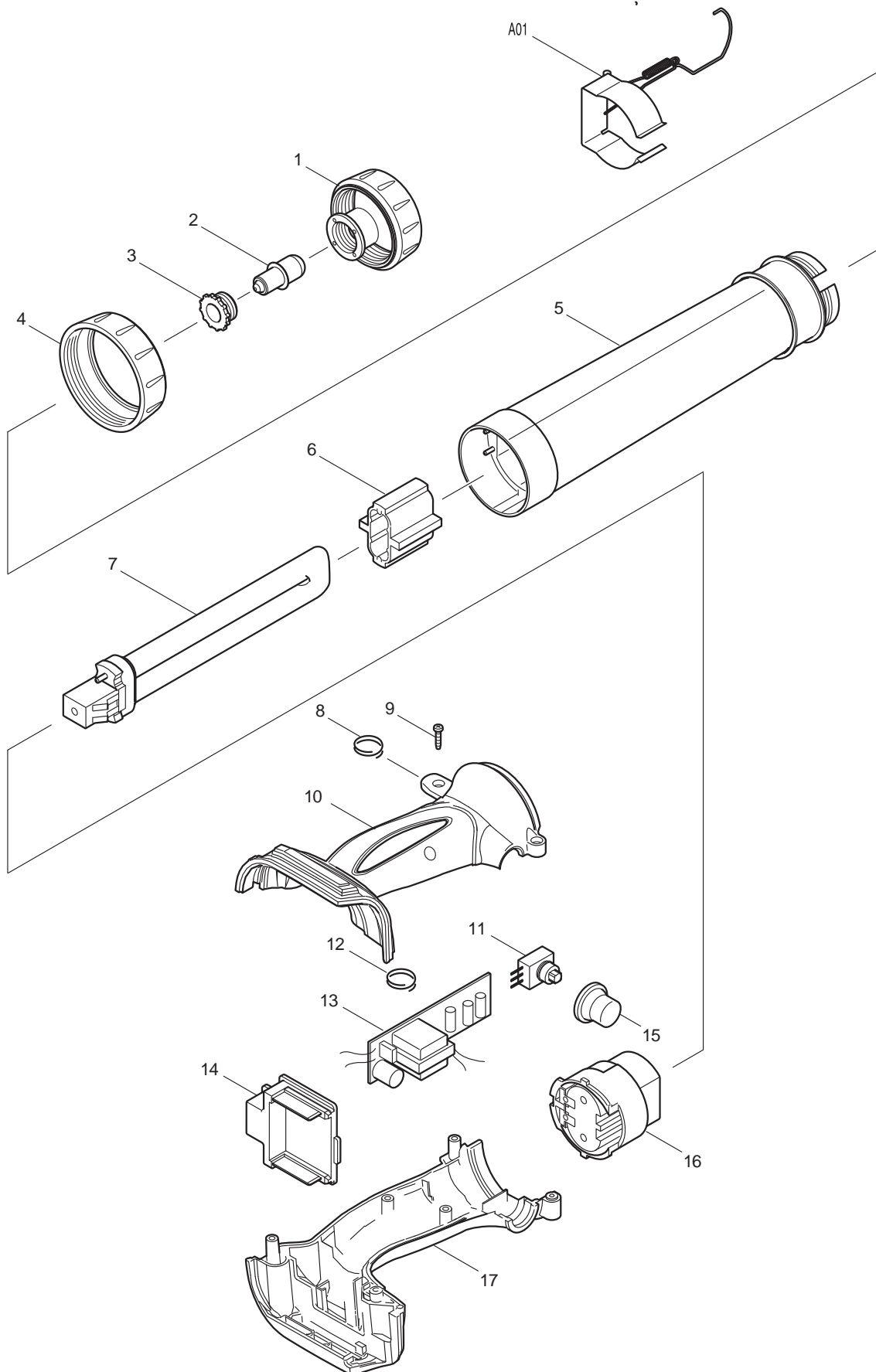




10 - 2010
BML184
BML184/BULK
14.4 / 18V FLOURESCENTLIGHT



Item No.	Part No.	Description	Qty	Unit
1	GM00001021	REFLECTOR	1	PC.
2	A-94502	LIGHT BULB SET	1	PC.
3	GM00001020	BULB HOLDER	1	PC.
4	GM00001019	LOCK RING	1	PC.
5	GM00001017	LAMP COVER	1	PC.
6	GM00001023	ABSORBER	1	PC.
7	SM00000050	FLUORESCENT TUBE	1	PC.
8	SM00000190	RING	1	PC.
9	GM00001024	SCREW 3X12	6	PC.
10	GM00001047	HOUSING SET	1	PC.
11	GM00001025	SWITCH	1	PC.
12	SM00000190	RING	1	PC.
13	GM00001049	PCB	1	PC.
14	GM00000530	BATTERY HOLDER	1	PC.
15	GM00001022	SWITCH COVER	1	PC.
16	GM00001018	HOLDER	1	PC.
<u>ACCESSORIES</u>				
A01	GM00001027	METAL HOOK	1	PC.
A02	GM00001028	SHOULDER HOOK SET	1	PC.