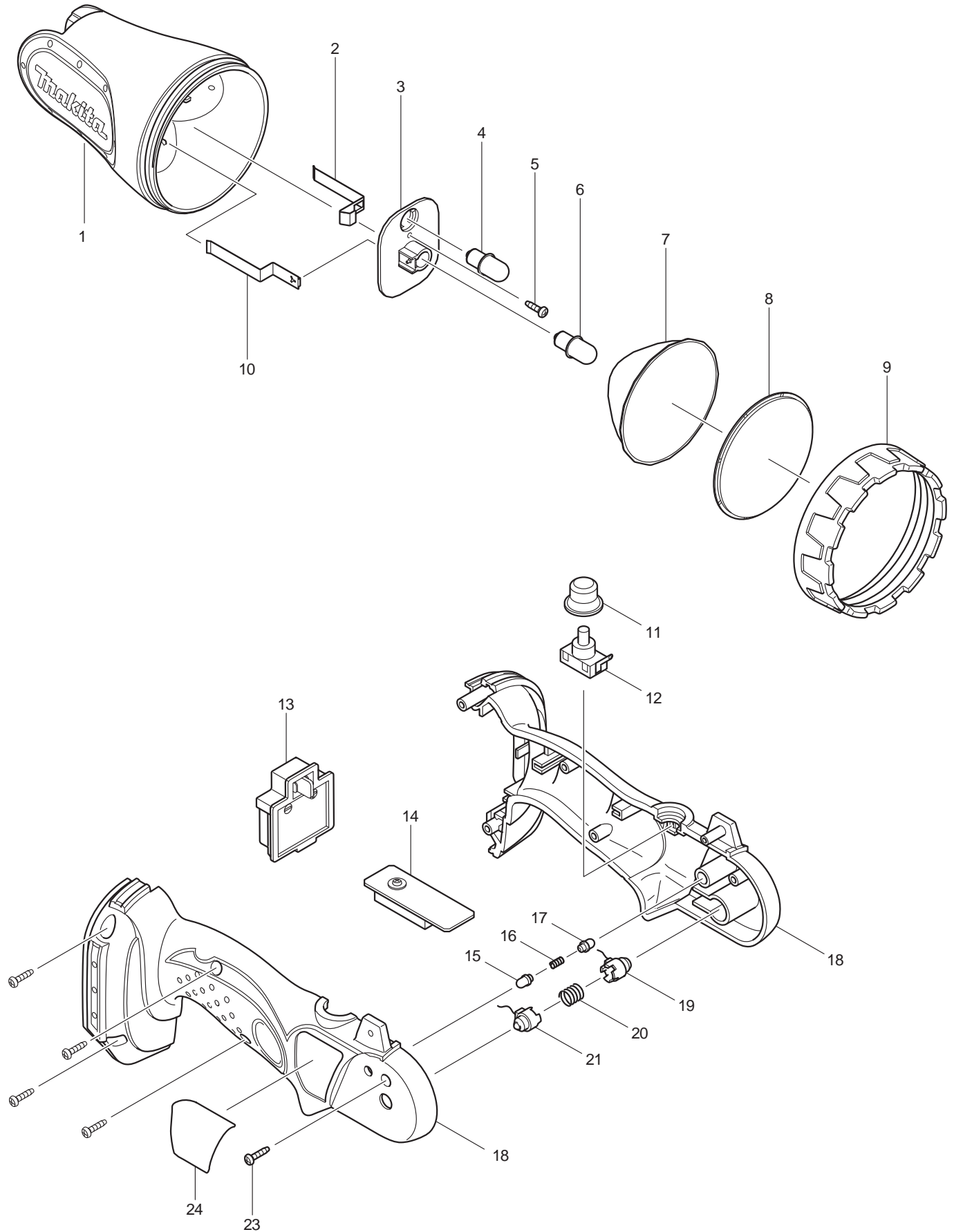




08 - 2010

BML185

18V Flashlight (Li-ion)



Item No.	Part No.	Description	Q'ty	Unit
1	GM00001003	CASE HEAD	1	PC.
2	GM00001010	BULB CONTACT PLATE (-)	1	PC.
3	GM00001002	PROTECTOR FOR CONTACT	1	PC.
4	A-90261	BULB SET, 2PCS/SET, MA/MC/MMX	1	SET
5	GM00001012	SCREW 3X12 PB BLACK ZN	1	PC.
6	A-90261	BULB SET, 2PCS/SET, MA/MC/MMX	1	SET
7	GM00000130	REFLECTOR	1	PC.
8	GM00000070	LENS	1	PC.
9	GM00001001	REFLECTOR RETAINER	1	PC.
10	GM00001009	BULB CONTACT PLATE (+)	1	PC.
11	GM00001006	RUBBER COVER	1	PC.
12	GM00000200	SWITCH	1	PC.
13	GM00001116	BATTERY HOLDER	1	PC.
14	GM00001029	PRINTED CIRCUIT BOARD	1	PC.
15	GM00001005	KNOCK SHAFT	1	PC.
16	GM00000090	COMPRESSION SPRING 4	1	PC.
17	GM00001005	KNOCK SHAFT	1	PC.
18	GM00001000	HOUSING SET	1	SET
19	632524-4	PIVOT TERMINAL UNIT R	1	PC.
20	233144-3	COMPRESSION SPRING 7	1	PC.
21	GM00001004	LEFT CASE SHAFT	1	PC.
23	GM00001013	SCREW 3X14 PB BLACK ZN	5	PC.