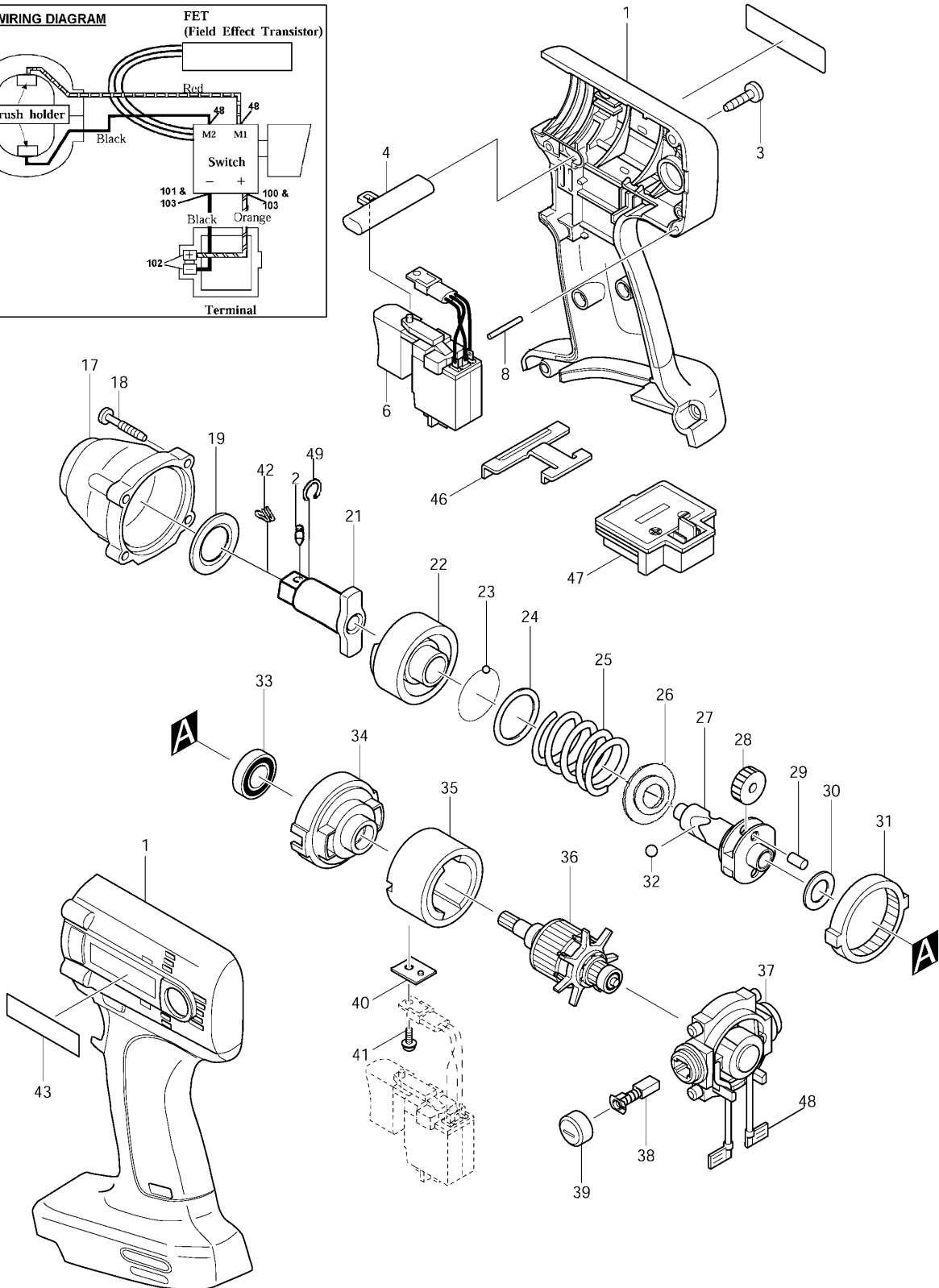
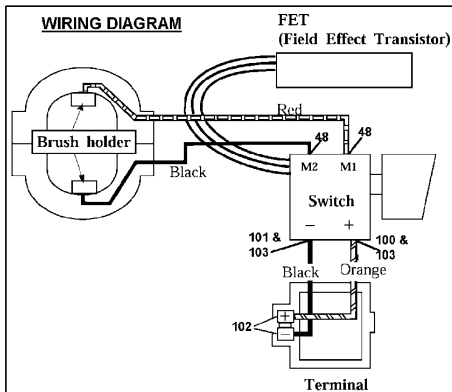
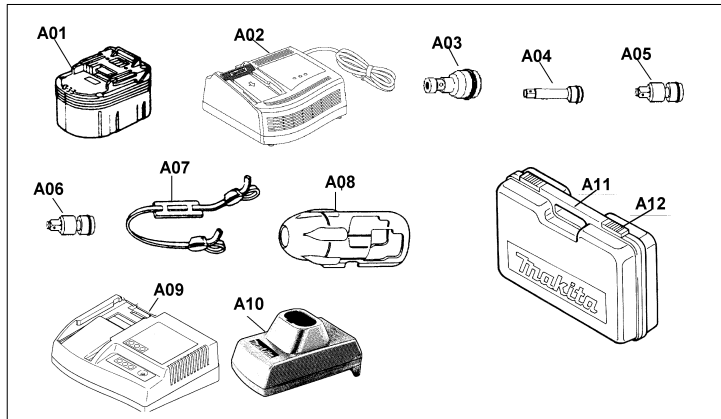




12V IMPACT WRENCH With Electric Brake Model BTW120SA(MJ)



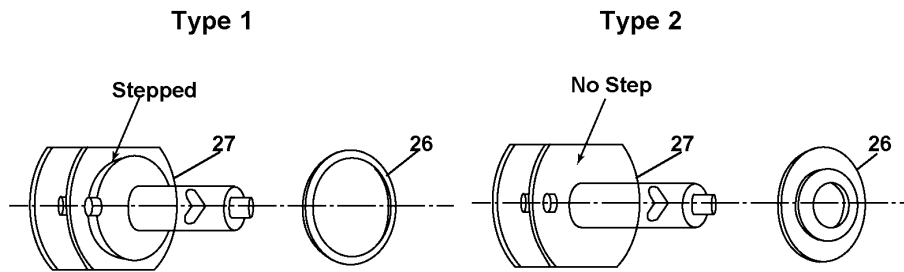


Item No.	Part No.	No. Used	Description	Item No.	Part No.	No. Used	Description
1	183347-8	1	Housing Set (Includes Item 43)	102	654208-4	2	Receptacle
2	323675-1	1	Pin 4	103	652038-7	2	P.H. Screw M3X8
3	265995-6	7	Tapping Screw 4X18	Accessories			
4	416079-5	1	F/R Change Lever				
6	650507-2	1	Switch C3LA-1A-TD				
8	256176-3	1	Pin 2.5				
17	151946-4	1	Hammer Case Com.				
18	265999-8	4	Tapping Screw 4X25				
19	261116-8	1	Nylon Washer 18				
21	323893-1	1	Anvil				
22	323997-9	1	Hammer				
23	216001-0	25	Steel Ball 3.5				
24	267175-0	1	Flat Washer 24		193349-6	1	12V Ni-MH Battery BH1233 (3.3Ah)
25	233274-0	1	Compression Spring 25	A02	DC14SA	1	DC14SA Charger for 7.2V ~ 14.4V, 1.7Ah ~ 3.3Ah Batteries
26	*	1	Washer		DC24SA	1	DC24SA Charger For 7.2V ~ 24V, 1.3Ah ~ 3.3Ah Batteries
27	*	1	Spindle	A03	134873-0	1	Bit Adapter Assy (Includes 213370-0 - O Ring 22 & 256095-3 - Pin 4)
28	226336-1	2	Spur Gear 22	A04	134874-8	1	Extension Bar 12.7 Assy (Includes 256187-8 - Pin 4)
29	256253-1	2	Pin 5	A05	134878-0	1	Universal Joint 12.7 Assy (Includes 231907-1 - Ring Spring 10 & 256187-8 - Pin 4)
30	267212-0	1	Flat Washer 12	A06	134877-2	1	Universal Joint 12.7 Assy (Includes 256187-8 - Pin 4)
31	227001-5	1	Internal Gear 51	A07	193122-4	1	Shoulder Strap
32	216011-7	2	Steel Ball 5.6	A08	417476-8	1	Rubber Protector
33	211140-1	1	Ball Bearing 6901LLB	A09	193681-8	1	Refreshing Adaptor ADP03 (For Parts Breakdown see ADP03) (Old 193208-4 - ADP02)
34	417269-3	1	Internal Gear Case	A10	193205-0	1	Adaptor ADP01 (Use to charge Makita Stick & Pod Style Ni-Cad & Ni-MH Batteries) (For Parts Breakdown see ADP01)
35	632965-4	1	Yoke Unit	A11	824632-7	1	Plastic Carrying Case (Type 1) (Includes Item A12)
36	619057-6	1	Armature		824682-2	1	Plastic Carrying Case (Type 2) (Includes Item A12)
37	638103-6	1	Endbell Com. (Includes Item 48) (Old 632969-6)	A12	417075-6	2	Latch
38	193466-2	2	Carbon Brush CB-434(2pcs/Set) (Old 191975-5)				
39	643933-2	2	Brush Holder Cap				
40	689096-0	1	Fet Spacer				
41	266170-7	1	Tapping Screw ST3X8				
42	322045-1	1	Clip				
43	819063-3	1	Makita Label				
46	344898-8	1	Support Plate				
47	643983-7	1	Terminal (Old 643955-2)				
48	654069-2	2	Receptacle				
49	231907-1	1	Ring Spring 10				
100	654001-6	1	Terminal R1.25-3.5				
101	654037-5	1	Insulated Eye Terminal RBV1.25-3.5				

* SEE SERVICE CHANGES

SERVICE CHANGES

1. Modification of Spindle and Change from Flat Washer 24 to Cup Washer 14.



Item No.	Description	Type 1	Type 2
26	Washer	267175-0 (Flat Washer 24)	267766-7 (Cup Washer 14)
27	Spindle	323994-5	324220-5

Above parts are completely interchangeable as a set.