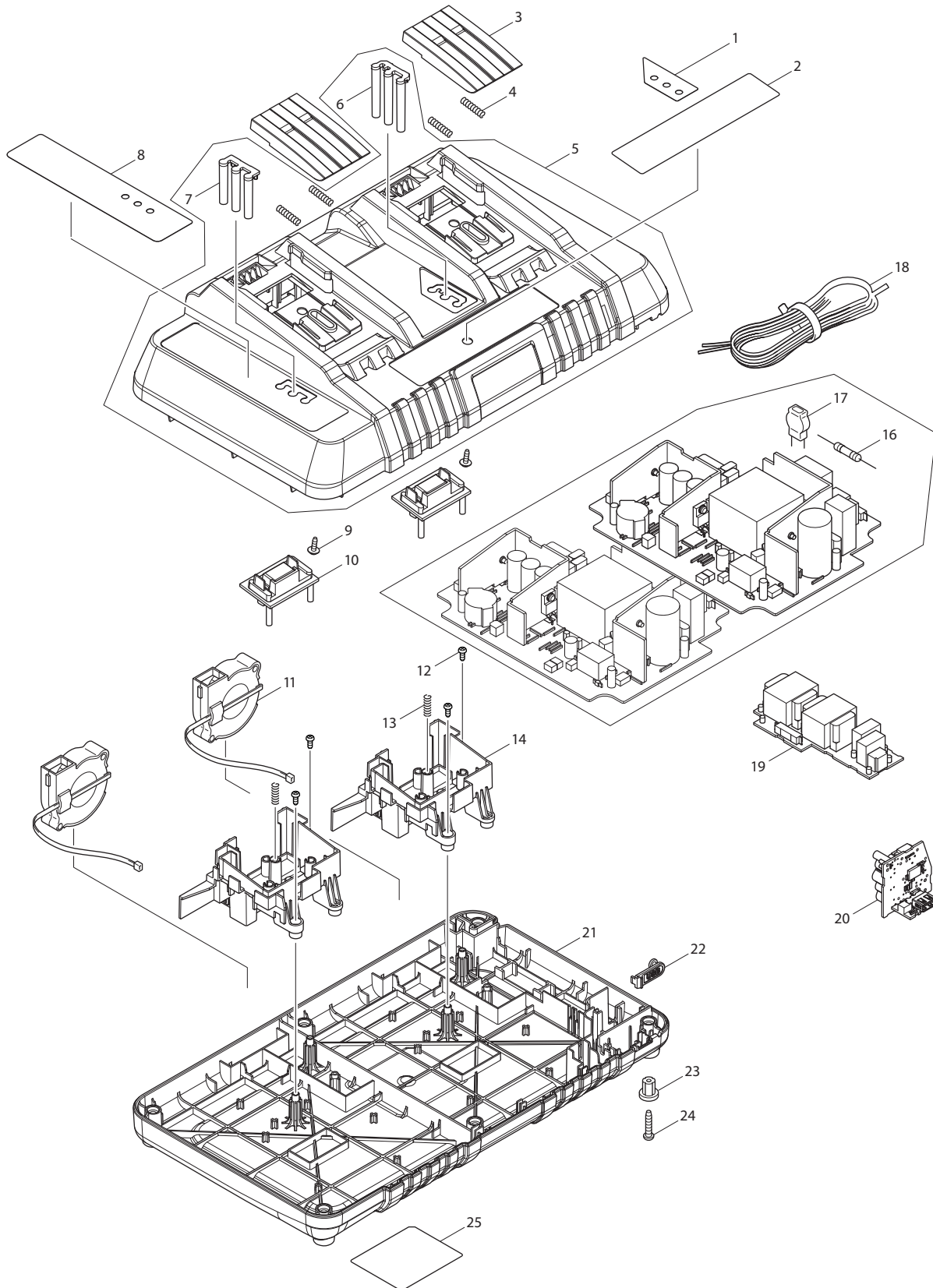




10 - 2014
DC18RD
DUAL (2-PORT) RAPID CHARGER



Item No.	Type	Ref	Part No.	Description	Qty	Unit
1			804Y51-3	INDICATION LABEL	1	PC.
2			804Y52-1	MAKITA LOGO LABEL	1	PC.
3			455546-5	TERMINAL COVER	2	PC.
4			231474-6	COMPRESSION SPRING 4	4	PC.
5			142845-1	CHARGER CASE COMPLETE	1	PC.
		INC.		Item No. 6,7		
6			455402-9	LENS B	1	PC.
7			455401-1	LENS A	1	PC.
8			804Y47-4	CHARGING CONDITION LABEL	1	PC.
9			266278-7	TAPPING SCREW FLANGE BT3X10	2	PC.
10			632E11-3	TERMINAL UNIT	2	PC.
11			638499-5	SCIROCCO FAN	2	PC.
12			266764-8	TAPPING SCREW 3X8	4	PC.
13			233194-8	COMPRESSION SPRING 4	2	PC.
14			455399-2	TERMINAL BASE	2	PC.
16			652802-6	FUSE	1	PC.
17			647321-5	VARISTOR	1	PC.
18	1		667852-8	VINYL CORD	1	PC.
	2		667982-5	CORD W/PLUG 2P-18-2.0M	1	PC.
19			620325-2	FILTER CIRCUIT	1	PC.
20			620412-7	USB CIRCUIT	1	PC.
21			455398-4	CHARGER CASE COVER	1	PC.
22			455403-7	USB COVER	1	PC.
23			286255-3	CAP 13	4	PC.
24			266426-8	TAPPING SCREW 4X20	6	PC.
25			850E35-9	DC18RD NAME PLATE	1	PC.
E01			804Y49-0	CAUTION LABEL	1	PC.
C01			877474-8	CARTON F/DC18RD	1	PC.