

Makita Europe N.V. Jan-Baptist Vinkstraat 2,
3070 Kortenberg, Belgium

Makita Corporation 3-11-8, Sumiyoshi-cho,
Anjo, Aichi 446-8502 Japan

3A81b35Z60000
DMR200-10L-1604

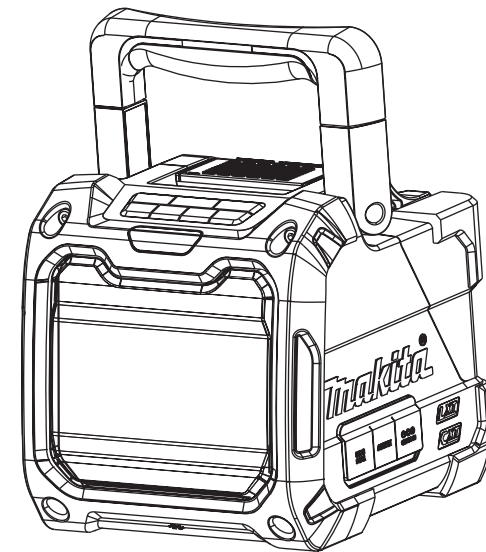
www.makita.com

SJN

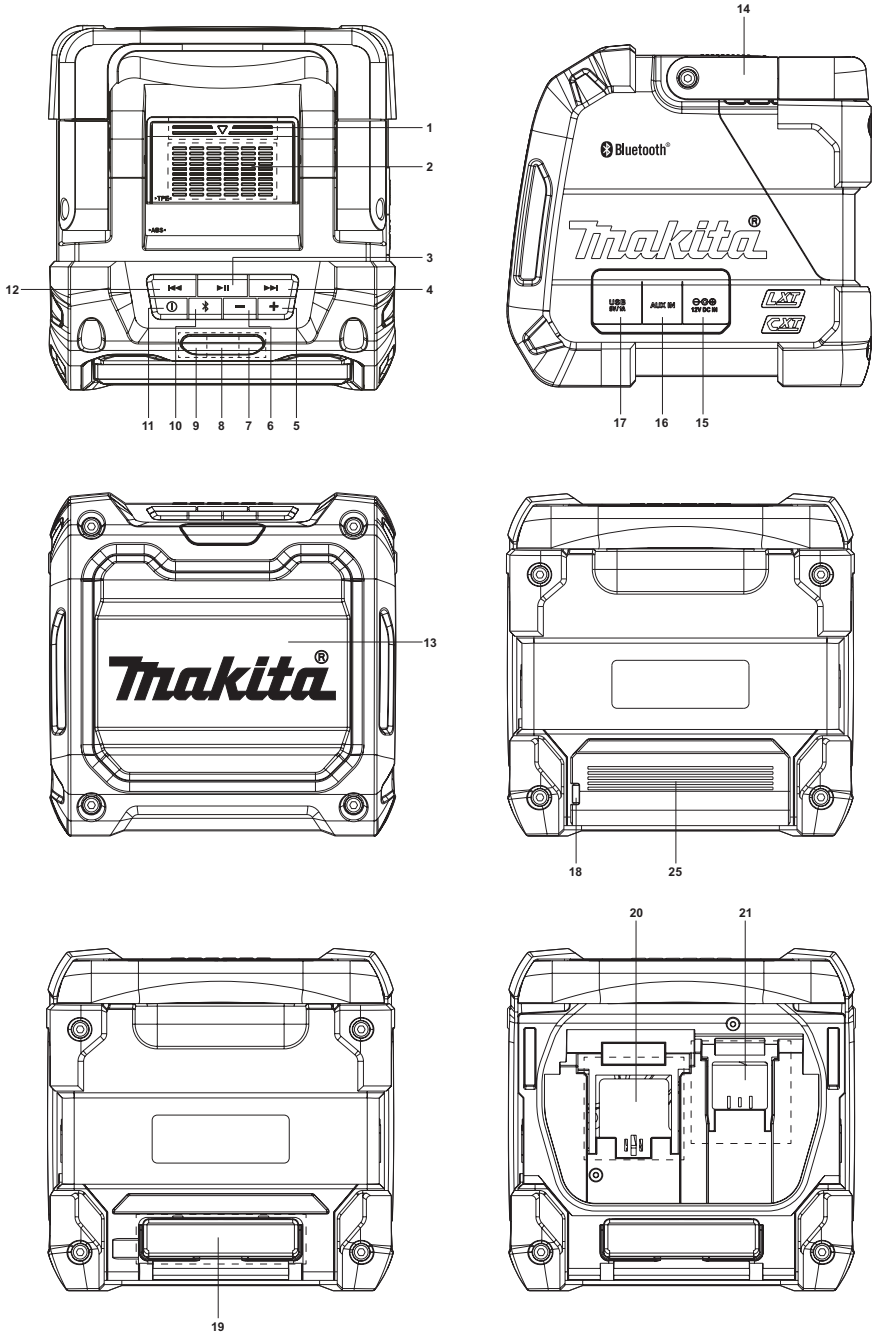
Makita[®]

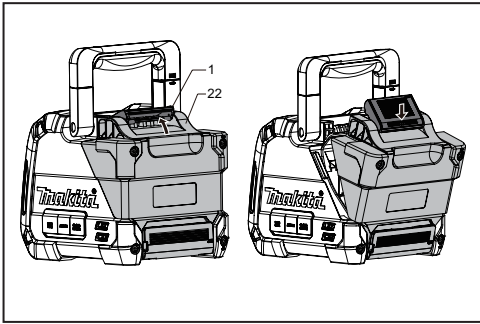
EN	Cordless Job Site Speaker	Instruction manual
FR	Enceinte de chantier sans fil	Manuel d'utilisation
DE	Kabelloser Lautsprecher	Bedienungsanleitung
IT	Altoparlante da Cantiere Senza Fili	Manuale delle istruzioni
NL	Draadloze werkluidspreker	Handleiding
ES	Altavoz Inalámbrico de Trabajo	Manual de instrucciones
PT	Alto-Falante Portátil a Bateria para Ambientes de Trabalho	Manual de instruções
DA	Trådløs højtaler til arbejdspladser	Brugsanvisning
EL	Ασύρματο ηχείο εργοτάξιου	Εγχειρίδιο οδηγίων
PL	Głośnik Bezprzewodowy	Instrukcja obsługi

DMR200

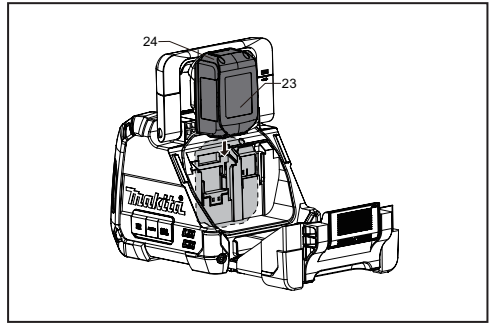


Explanation of general view

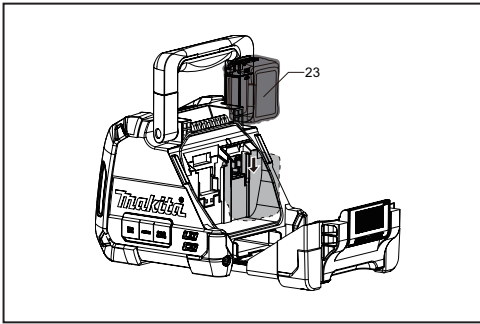




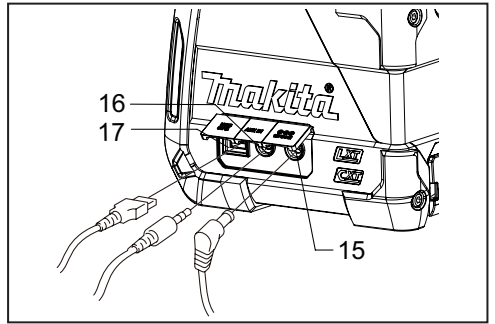
2



3



4



5

ENGLISH (Original instructions)

Symbols

The following show the symbols used for the equipment. Be sure that you understand their meaning before use.



Read instruction manual.



Only for EU countries

Do not dispose of electric equipment or battery pack together with household waste material!

In observance of the European Directives, on Waste Electric and Electronic Equipment and Batteries and Accumulators and Waste Batteries and Accumulators and their implementation in accordance with national laws, electric equipment and batteries and battery pack(s) that have reached the end of their life must be collected separately and returned to an environmentally compatible recycling facility.

IMPORTANT SAFETY INSTRUCTIONS

⚠WARNING:

When using electric tools, basic safety precautions should always be followed to reduce the risk of fire, electric shock, and personal injury, including the following:

1. Read this instruction manual and the charger instruction manual carefully before use.
2. Clean only with dry cloth.
3. Do not install near any heat sources such as radiators, heat registers, stoves, or other apparatus (including amplifiers) that produce heat.
4. Only use attachments/accessories specified by the manufacturer.
5. Unplug this apparatus during lightning storms or when unused for long periods of time.
6. A battery operated speaker with integral batteries or a separate battery pack must be recharged only with the specified charger for the battery. A charger that may be suitable for one type of battery may create a risk of fire when used with another battery.
7. Use battery operated speaker only with specifically designated battery packs. Use of any other batteries may create a risk of fire.
8. When battery pack is not in use, keep it away from other metal objects like: paper clips, coins, keys, nails, screws, or other small metal objects that can make a connection from one terminal to another. Shorting the battery terminals together may cause sparks, burns, or a fire.
9. Avoid body contact with grounded surfaces such as pipes, radiators, ranges and refrigerators. There is an increased risk of electric shock if your body is grounded.
10. Under abusive conditions, liquid may be ejected from the battery; avoid contact. If contact accidentally occurs, flush with water. If liquid contacts eyes, additionally seek medical help. Liquid ejected from the battery may cause irritation or burns.
11. The MAINS plug is used as the disconnect device, and

it shall remain readily operable.

SAVE THESE INSTRUCTIONS

SPECIFIC SAFETY RULES

FOR BATTERY CARTRIDGE

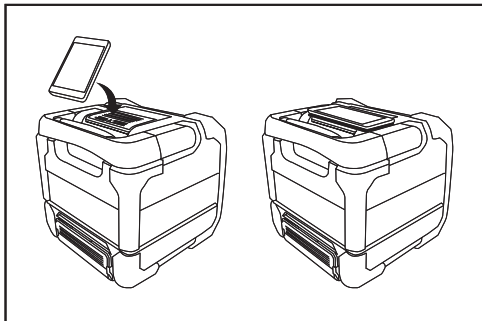
1. Before using battery cartridge, read all instructions and cautionary markings on (1) battery charger, (2) battery, and (3) product using battery.
2. Do not disassemble battery cartridge.
3. If operating time has become excessively shorter, stop operating immediately. It may result in a risk of overheating, possible burns and even an explosion.
4. If electrolyte gets into your eyes, rinse them out with clear water and seek medical attention right away. It may result in loss of your eyesight.
5. Do not short the battery cartridge:
 - (1) Do not touch the terminals with any conductive material.
 - (2) Avoid storing battery cartridge in a container with other metal objects such as nails, coins, etc.
 - (3) Do not expose battery cartridge to water or rain. A battery short can cause a large current flow, overheating, possible burns and even a breakdown.
6. Do not store the tool and battery cartridge in locations where the temperature may reach or exceed 50 °C (122°F)
7. Do not incinerate the battery cartridge even if it is severely damaged or is completely worn out. The battery cartridge can explode in a fire.
8. Be careful not to drop or strike battery.
9. Do not use a damaged battery.

Tips for maintaining maximum battery life

1. Charge the battery cartridge before completely discharged. Always stop tool operation and charge the battery cartridge when you notice less tool power.
2. Never recharge a fully charged battery cartridge. Overcharging shortens the battery service life.
3. Charge the battery cartridge with room temperature at 10 °C - 40 °C (50 °F - 104 °F). Let a hot battery cartridge cool down before charging it.
4. Charge the battery cartridge if you do not use it for a long period (more than six months).

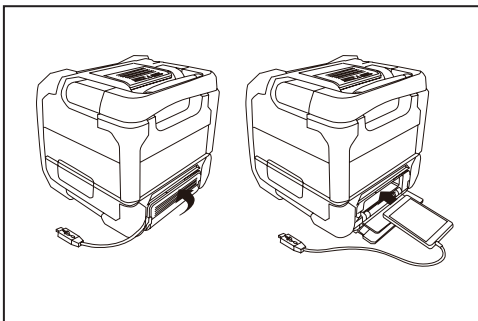
Explanation of general view (Fig.1)

1. Battery compartment locker
2. Mobile (Cell phone) placing panel



3. Play/Pause button
4. Next track button/Fast-forward button
5. Volume up button
6. Volume down button
7. Aux in indicator
8. Volume max. or min. indicator/ Low battery indicator
9. Bluetooth indicator
10. Bluetooth pairing button
11. Power button
12. Previous track button/ Rewind button
13. Speaker
14. Handle
15. DC in socket
16. Auxiliary input socket
17. USB charging socket

18. Cable hole
19. Mobile (Cell phone) storage cabinet



20. 14.4 V/18V battery terminal
21. 10.8 V battery terminal
22. Battery cover
23. Battery cartridge
24. Button
25. Mobile storage cabinet cover

Power

The speaker can be powered by Makita battery packs or a standard wall outlet.

Power by battery

The following table indicates the operating time on a single charge.

Battery capacity	Battery Cartridge Voltage			AT SPEAKER OUTPUT = 100mW (unit: Hour) (Approximately)			
	10.8V	14.4V	18V	AUX IN	Bluetooth	AUX IN +USB(2.1A)	Bluetooth +USB(2.1A)
1.3Ah		BL1415	BL1815	7.5	7.0		1.0
1.5Ah	BL1015			12	11		1.0
		BL1415N		10	9.0		1.0
2.0Ah			BL1815N	9.5	9.0		1.5
	BL1020B			15	14		1.0
3.0Ah		BL1430/ BL1430B		16	15		2.0
			BL1830/ BL1830B	18	17		3.0
4.0Ah	BL1040B			31	28		2.5
		BL1440		26	24		3.0
5.0Ah			BL1840/ BL1840B	25	24		4.0
		BL1450		31	29		3.5
6.0Ah			BL1850/ BL1850B	32	31		5.5
		BL1460B		34	32		4.0
		BL1860B		39	37		6.5

Installing or removing slide battery cartridge (Fig. 3 and 4)

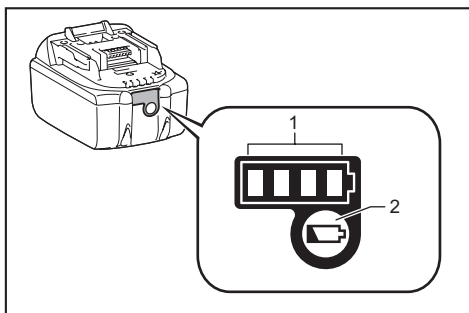
- To install the battery cartridge, align the tongue on the battery cartridge with the groove in the housing and slip it into place. Always insert it all the way until it locks in place with a little click.
- If you can see the red indicator on the upper side of the button, it is not locked completely. Install it fully until the red indicator cannot be seen. If not, it may accidentally fall out of the tool, causing injury to you or someone around you.
- Do not use force when inserting the battery cartridge. If the cartridge does not slide in easily, it is not being inserted correctly.
- To remove the battery cartridge, sliding it from the tool while pressing the button on the front of the cartridge.

Note:

When the speaker is in low battery, the middle LED will flash in red.

Indicating the remaining battery capacity

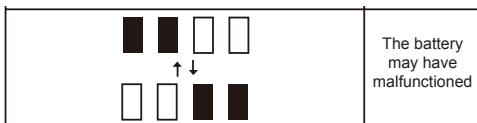
Only for battery cartridges with "B" at the end of the model number



- 1. Indicator lamps 2. Check button

Press the check button on the battery cartridge to indicate the remaining battery capacity. The indicator lamps light up for few seconds.

Indicator lamps			Remaining capacity
Lighted	Off	Blinking	
■ ■ ■ ■			75% to 100%
■ ■ ■ □			50% to 75%
■ ■ □ □			25% to 50%
■ □ □ □			0% to 25%
▣ □ □ □			Charge the battery



NOTE: Depending on the conditions of use and the ambient temperature, the indication may differ slightly from the actual capacity.

Using Supplied AC power adaptor (Fig. 5)

Remove the rubber protector and insert the adaptor plug into the DC socket on the right side of the speaker. Plug the adaptor into a standard mains socket outlet. Whenever the adaptor is used, the battery pack is automatically disconnected. The AC adaptor should be disconnected from the main supply when not in use.

IMPORTANT:

The mains adaptor is used as the means of connecting the speaker to the mains supply. The mains socket used for the speaker must remain accessible during normal use. In order to disconnect the speaker from the mains completely, the mains adaptor should be removed from the mains outlet completely.

USB power supply socket

This jack can be used to charge a mobile phone or any other device that uses less than 2.1A of DC current. Charging will only occur when the speaker is switched on. **Note:** Ensure the specification of your external device such as mobile phone, mp3 player or iPod is compatible with the speaker. Please read instruction manual of your external device before charging.

IMPORTANT:

- Before connecting USB device to the charger, always backup your data of USB device. Otherwise your data may lose by any possibility.
- The charger may not supply power to some USB devices.
- When not using or after charging, remove the USB cable and close the cover.
- Do not connect power source to USB port. Otherwise there is risk of fire. The USB port is only intended for charging lower voltage device.
- Do not insert a nail, wire, etc. into USB power supply port. Otherwise a circuit short may cause smoke and fire.
- Do not connect this USB socket with your PC USB port, as it is highly possible that it may cause breakdown of the units.

Pairing and connecting a device to the speaker

You need to pair your Bluetooth device with the speaker before you can auto-link to play/stream Bluetooth music through the speaker. Pairing creates a 'bond' so two

devices can recognize each other.

3. Press and hold the Next track **▶▶** or Previous button **◀◀** to fast-forward/Rewind the current track. Release the button when the desired point in the track is reached.

Note:

1. That not all player applications or devices may respond to all of these controls.
2. Some mobile phones may temporarily disconnect from the speaker when you make or receive calls. Some devices may temporarily mute their Bluetooth audio streaming when they receive text messages, emails or for other reasons unrelated to audio streaming. Such behaviour is a function of the connected device and does not indicate a fault with the speaker.

Pairing and playing your Bluetooth device for the first time

1. Press the Power button **Ⓛ** to turn on the speaker and the Bluetooth indicator will flash in blue. The indicator flashes fast flashing blue indicating the speaker is discoverable.
2. Activate Bluetooth on your device according to the device's user manual to link to the speaker. Locate the Bluetooth device list and select the device named 'DMR200.' With some mobiles (which are equipped with earlier versions than BT2.1 Bluetooth device), you may need to input the pass code "0000".
3. Once connected, there will be a beep sound and the Bluetooth indicator will remain in solid blue. You can simply select and play any music from your source device. Volume control can be adjusted from your source device, or directly from the speaker.
4. Use the controls on your Bluetooth-enabled device or on the speaker to play/pause and navigate tracks.

Note:

1. If 2 Bluetooth devices, pairing for the first time, both search for the speaker, it will show its availability on both devices. However, if one device links with this unit first, then the other Bluetooth device won't find it on the list.
2. If your Bluetooth device is temporarily disconnected to the speaker, then you need to manually reconnect your device again to the speaker.
3. If 'DMR200' shows in your Bluetooth device list but your device cannot connect with it, please delete the item from your list and pair the device with the speaker again following the steps described previously.
4. The effective operation range between the system and the paired device is approximately 10 meters (30 feet). Any obstacle between the system and the device can reduce the operational range.
5. Bluetooth connectivity performance may vary depending on the connected Bluetooth devices. Please refer to the Bluetooth capabilities of your device before connecting to the speaker. All features may not be supported on some paired Bluetooth devices.

Playing audio files in Bluetooth mode

When you have successfully connected the speaker with the chosen Bluetooth device you can start to play your music using the controls on your connected Bluetooth device.

1. Once playing has started adjust the volume to the required setting using the Volume buttons **[-]** **[+]** on the speaker or on your enabled Bluetooth device. When you press the Volume up/down button, the volume indicator will flash in fast flashing red. If the indicator light in solid red, it indicates the volume is in maximum volume or minimum volume.
2. Use the controls on your device to play/pause and navigate tracks. Alternatively, control the playback using Play/Pause (**▶||**), Next track (**▶▶**), Previous track buttons (**◀◀**) on the speaker.

Speaker memory and reconnecting a device

The speaker can memorize up to 8 sets of paired device, when the memory exceed this amount, the oldest pairing history will be over written. If your Bluetooth device already paired with the speaker previously, the unit will memorize your Bluetooth device and it attempts to reconnect with a device in memory which is last connected. If the last connected device is not available, the speaker will be discoverable.

Disconnecting your Bluetooth device

Press and hold the Bluetooth pairing button **✱** for 2-3 seconds to disconnect with your Bluetooth device. The Bluetooth indicator flashes in blue indicating the speaker is discoverable again for pairing.

Playing music via auxiliary input socket

A 3.5mm Auxiliary input socket is provided on the right side of the unit to permit an audio signal to be fed into the unit from any devices that features a headphone or audio output, such as an iPod, MP3 or CD player.

1. Connect a stereo or mono audio source (for example, iPod, MP3 or CD player) to the Auxiliary input socket (marked 'AUX') and the Aux in indicator turns green indicating the speaker is in auxiliary input mode.
2. Adjust the Volume control on your iPod, MP3 or CD player to ensure an adequate signal and then adjust the volume on the speaker for comfortable listening.

Note:

When Aux in socket is connected an audio device, Bluetooth function will be disabled to minimize power consumption.

MAINTENANCE

⚠ CAUTION:

- Never use gasoline, benzine, thinner, alcohol or the like. Discoloration, deformation or cracks may result.

Specification

Amplifier

Output power	10.8V:3.5W 14.4V:6W 18V:10W
Frequency response	50Hz~20kHz

Aux In

Input sensitivity	250mVrms @100Hz
-------------------	-----------------

Speaker

Main speaker	101.6mm 8 ohm 10W
Tweeter speaker	36mm 8ohm 10W

Bluetooth

Bluetooth version	4.0
Bluetooth profiles	A2DP/ SCMS-T/ AVRCP
Transmission power	Bluetooth specification power Class 2
Transmission range	Max. 10m (varies according to usage conditions)
Supported codec	SBC
Compatible Bluetooth profile	A2DP

General

AC power adaptor	DC in 12V 1.5A, center pin positive
Battery	Slide battery: 10.8V/ 14.4 V/ 18 V
Weight	2.7KG (without battery)

The company reserves the right to amend the specification without notice.

FRANCAIS (Instructions d'origine)

Symboles

Les symboles utilisés pour l'équipement sont affichés ci-dessous. Soyez sûr de tout comprendre avant toute utilisation.



Lisez le manuel d'utilisation.



Pour les pays européens uniquement
Ne pas jeter les appareils électriques et les bloc-batteries dans les ordures ménagères !
Conformément aux directives européennes relatives aux déchets d'équipements électriques ou électroniques (DEEE) ainsi qu'aux batteries, aux accumulateurs et aux batteries et accumulateurs usagés et à leur transposition dans la législation nationale, les appareils électriques, les batteries et les bloc-batteries doivent être collectés à part et être soumis à un recyclage respectueux de l'environnement.

INSTRUCTIONS IMPORTANTES DE SECURITE

⚠ AVERTISSEMENT :

Lorsque vous utilisez des outils électriques, des précautions de base devraient toujours être suivies pour réduire le risque d'incendie, d'électrocution et de blessures, notamment les précautions suivantes :

1. Lisez ce manuel d'utilisation attentivement ainsi que le manuel d'utilisation du chargeur avant de l'utiliser.
2. Nettoyez avec un chiffon sec.
3. N'installez pas à proximité de sources de chaleur telles que radiateurs, registre de chaleur, poêle ou autres appareils (y compris les amplificateurs) qui produisent de la chaleur.
4. N'utilisez que les extensions/accessoires spécifiés par le fabricant.
5. Débranchez cet appareil lors des orages ou lorsqu'il est inutilisé pendant une longue période.
6. Un haut-parleur commandé par une batterie avec batteries intégrées ou par une batterie externe doit être rechargé qu'avec le chargeur spécifié pour la batterie. Un chargeur qui est adaptée pour un type de batterie peut provoquer un risque d'incendie lorsqu'il est utilisé avec une autre batterie.
7. Utilisez le haut-parleur commandé par la batterie uniquement avec des batteries externes spécifiquement désignées. L'utilisation d'autres batteries peut provoquer un risque d'incendie.
8. Lorsque la batterie externe n'est pas utilisée, veuillez le tenir éloigner des autres objets métalliques tels que : les trombones, les pièces de monnaie, les clés, les clous, les vis ou les autres petits objets métalliques qui peuvent établir une connexion d'une borne à un autre. Court-circuiter les bornes de la batterie peut provoquer des étincelles, des brûlures ou un incendie.
9. Évitez tout contact corporel avec des surfaces reliées à la terre telles que les tuyaux, les radiateurs, les cuisinières et les réfrigérateurs. Il y a un risque accru de choc électrique si votre corps est relié à la terre.
10. Dans des conditions extrêmes, du liquide peut être éjecté depuis la batterie; évitez tout contact avec le liquide. En cas de contact accidentel, rincez avec de

l'eau. Si le liquide rentre en contact avec les yeux, consultez un médecin. Le liquide éjecté depuis la batterie peut causer des irritations ou des brûlures.

11. Les prises SECTEUR sont utilisées comme dispositif de déconnexion, et elles doivent rester facilement accessible.

ENREGISTRER SES INSTRUCTIONS

REGLES SPECIFIQUES DE SECURITE

POUR LA CARTOUCHE DE BATTERIEE

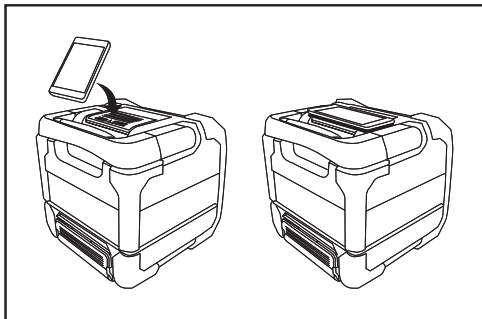
1. Avant d'utiliser la cartouche de batterie, lire toutes les instructions et les avertissements concernant (1) le chargeur de batterie, (2) la batterie, et (3) l'équipement utilisant la batterie.
2. Ne démontez pas la cartouche de batterie
3. Si le temps de fonctionnement devient excessivement court, cessez immédiatement l'utilisation. Il peut en résulter un risque de surchauffe, de brûlures et même d'explosion.
4. Si l'électrolyte pénètre dans vos yeux, rincez-les à l'eau claire et consultez un médecin immédiatement. Cela peut entraîner une perte de la vue.
5. Ne court-circuitez pas la cartouche de la batterie :
 - (1) Ne touchez pas les bornes avec un matériau conducteur.
 - (2) Évitez de ranger la cartouche de la batterie dans un conteneur avec d'autres objets métalliques tels que des clous, des pièces de monnaie, etc.
 - (3) N'exposez pas la cartouche de la batterie à l'eau ou à la pluie. Un court-circuit de la batterie peut provoquer un fort courant, une surchauffe, des brûlures et même une panne.
6. Ne rangez pas l'outil ou la cartouche de la batterie dans des endroits où la température peut atteindre ou dépasser 50 ° C (122 ° F)
7. N'incinerez pas la cartouche de la batterie même si elle est sérieusement endommagée ou complètement usée. La cartouche de la batterie peut exploser dans un feu.
8. Veuillez ne pas laisser tomber ou heurter la batterie.
9. N'utilisez pas de batterie endommagée.

Conseils pour maintenir la durée de vie de la batterie au maximum

1. Chargez la cartouche de la batterie avant qu'elle ne soit complètement déchargée. Arrêtez toujours le fonctionnement de l'équipement et rechargez la cartouche de la batterie lorsque vous remarquez que la puissance de l'équipement est faible.
2. Rechargez jamais une cartouche de batterie qui est déjà complètement chargée. La surcharge réduit la durée de vie de la batterie.
3. Rechargez la cartouche de batterie à une température ambiante de 10 ° C - 40 ° C (50 ° F - 104 ° F) Laissez la cartouche de batterie chaude se refroidir avant de la charger.
4. Rechargez la cartouche de batterie si vous ne l'utilisez pas pendant une longue période (plus de six mois).

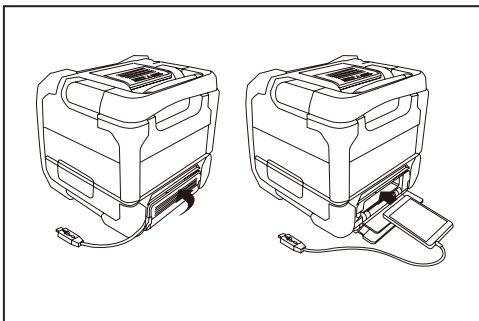
Interprétation de la vue générale (Fig.1)

1. Casier du compartiment pour batterie
2. Panneau pour placer le portable (téléphone cellulaire)



3. Bouton Lecture/Pause
4. Bouton piste suivante/Bouton avance rapide
5. Bouton Augmenter le volume
6. Bouton Diminuer le volume
7. Voyant d'entrée auxiliaire
8. Voyant max. et min. du volume/ Voyant de batterie faible
9. Voyant de Bluetooth
10. Bouton de couplage du Bluetooth
11. Bouton d'alimentation
12. Bouton piste précédente/ Bouton reculer
13. Haut-parleur
14. Poignée
15. Prise en DC
16. Prise d'entrée auxiliaire
17. Prise de recharge USB

18. Trou du câble
19. Armoire de rangement pour portable (téléphone cellulaire)



20. Borne de batterie 14.4 V/18V
21. Borne de batterie 10.8 V
22. Couvercle de la batterie
23. Cartouche de batterie
24. Bouton
25. Couvercle de l'armoire de stockage du portable

Alimentation

Le haut-parleur peut être alimenté par des blocs batteries Makita ou par une prise murale standard.

Alimentation par batterie

Le tableau suivant indique le temps de fonctionnement sur une seule charge.

Capacité de la batterie	Tension de la cartouche de batterie			A la sortie du Haut-Parleur = 100 mW (unité: Heure) (Approximativement)			
	10,8V	14,4V	18V	AUX IN	Bluetooth	AUX IN +USB(2,1A)	Bluetooth +USB(2,1A)
1,3Ah		BL1415	BL1815	7,5	7,0		1,0
1,5Ah	BL1015			12	11		1,0
		BL1415N		10	9,0		1,0
2,0Ah			BL1815N	9,5	9,0		1,5
	BL1020B		BL1820/ BL1820B	15	14		1,0
3,0Ah		BL1430/ BL1430B		16	15		2,0
			BL1830/ BL1830B	18	17		3,0
4,0Ah	BL1040B			31	28		2,5
		BL1440		26	24		3,0
5,0Ah			BL1840/ BL1840B	25	24		4,0
		BL1450		31	29		3,5
6,0Ah			BL1850/ BL1850B	32	31		5,5
		BL1460B		34	32		4,0
		BL1860B		39	37		6,5

Installation ou retrait de la cartouche de batterie amovible (fig. 3 et 4)

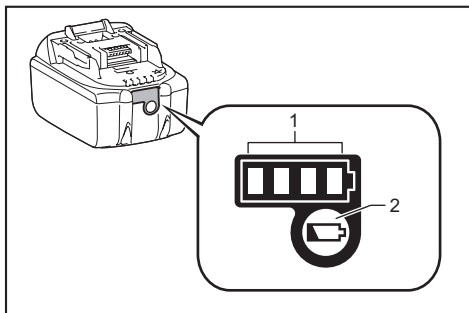
- Pour installer la cartouche de batterie, alignez la languette de la cartouche de batterie avec la rainure dans le boîtier et faites le glisser en place. Insérez-la toujours complètement jusqu'à ce qu'elle se verrouille en place avec un petit clic.
- Si vous pouvez voir le voyant rouge sur la face supérieure du bouton, cela signifie qu'elle n'est pas parfaitement verrouillée. Installez-la entièrement jusqu'à ce que le voyant rouge ne soit plus visible.
- Sinon, elle risque de tomber accidentellement de l'équipement, causant un préjudice à vous ou à quelqu'un d'autre autour de vous.
- N'utilisez pas la force lors de l'insertion de la cartouche de batterie. Si la batterie ne glisse pas facilement, elle n'est pas insérée correctement. Pour retirer la batterie, faites-la glisser de l'équipement tout en appuyant sur le bouton sur la face avant de la cartouche.

Remarque :

Lorsque le haut-parleur a un niveau de batterie faible, la LED centrale clignotera en rouge.

Indiquant la capacité restante de la batterie

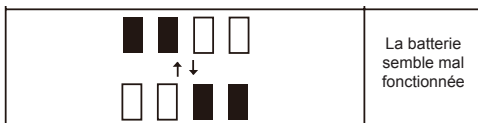
Uniquement pour les cartouches de batterie avec "B" à la fin du numéro de modèle



► 1. Voyant des Lampes 2. Bouton de vérification

Appuyez sur le bouton de vérification sur la cartouche de batterie pour indiquer la capacité restante de la batterie. Les voyants sont allumés pendant quelques secondes.

Voyant des lampes			Capacité restante
Allumé	Eteintes	Clignotant	
■	□	◐	75% to 100%
■ ■ ■ ■			
■ ■ ■ □			
■ ■ □ □			
■ □ □ □			
◐	□	□	Rechargez la batterie



La batterie semble mal fonctionner

REMARQUE : Selon les conditions d'utilisation et la température ambiante, le voyant peut différer légèrement de la capacité réelle.

En utilisant l'adaptateur secteur fourni (fig. 5)

Retirez la protection en caoutchouc et insérez l'adaptateur dans la prise DC sur le côté droit de haut-parleur. Branchez l'adaptateur dans une prise secteur standard. Chaque fois que l'adaptateur est utilisé, la batterie est automatiquement déconnectée. L'adaptateur secteur doit être déconnecté de l'alimentation principale en cas de non utilisation.

IMPORTANT :

La prise secteur est utilisée comme moyen de connecter la radio à l'alimentation secteur. La prise secteur utilisée pour la radio doit rester accessible durant l'utilisation normale. Afin de déconnecter la radio du secteur, la prise secteur doit être enlevée complètement de la prise d'alimentation secteur.

Prise d'alimentation USB fournie

Cette prise peut être utilisée pour charger un téléphone mobile ou tout autre appareil qui utilise moins de 2,1 A de courant continu. La recharge ne se fera que lorsque le haut-parleur est allumé.

Remarque : Vérifiez la spécification de votre périphérique externe tel que le téléphone portable, le lecteur mp3 ou iPod est compatible avec le haut-parleur. Veuillez lire le manuel d'utilisation de votre appareil externe avant de le charger.


IMPORTANT :

- Avant de connecter un périphérique USB au chargeur, toujours sauvegarder vos données du périphérique USB. Sinon, vous pourriez perdre tout vos données.
- Le chargeur peut ne pas alimenter certains périphériques USB.
- En cas de non utilisation ou après la charge, retirez le câble USB et fermez le couvercle.
- Ne branchez pas la source d'alimentation au port USB. Sinon, il y a risque d'incendie. Le port USB est destiné uniquement à la charge de dispositif à faible tension.
- Placez toujours le couvercle sur le port USB lorsque vous ne rechargez pas un l'appareil de faible tension.
- N'insérez pas de clou, de fil de fer, etc., dans le port d'alimentation USB. Sinon, un court-circuit peut provoquer de la fumée et du feu.
- Ne branchez pas cette prise USB avec votre port USB du PC, car il est très possible que cela peut provoquer une panne des unités.

Coupler et connecter un appareil avec l'enceinte

Vous devez coupler votre appareil Bluetooth avec votre DMR200 avant de pouvoir relier et lire / diffuser de la musique en Bluetooth sur votre enceinte portable. Le couplage crée un lien permettant aux deux appareils de se reconnaître mutuellement.

Coupler et utiliser votre appareil Bluetooth pour la première fois

1. Appuyez sur le bouton d'alimentation  pour allumer le haut-parleur et le voyant Bluetooth clignotera bleu. L'indicateur clignote rapidement en bleu pour indiquer que l'enceinte peut être détecté.
2. Activez le Bluetooth sur votre appareil conformément au manuel d'instruction pour le relier à votre enceinte. Situez la liste des appareils Bluetooth et choisissez l'appareil nommé 'DMR200.'. Avec certains portables (équipés de versions antérieures aux appareils Bluetooth BT2.1), vous devrez saisir un mot de passe « 0000 ».
3. Une fois connecté, il y'aura un bip sonore et l'icône Bluetooth restera allumée en bleu. Vous pouvez simplement sélectionner et jouer une musique depuis votre appareil source. Le contrôle de volume peut être réglé depuis votre appareil source ou directement depuis l'enceinte.
4. Utilisez les commandes de l'appareil avec la fonction Bluetooth ou de votre enceinte pour lire / mettre en pause et naviguer entre les pistes.









Remarque :

1. Si 2 appareils Bluetooth, effectuent le couplage pour la première fois, les deux à la fois recherchent DMR200, il sera affiché la disponibilité sur les deux appareils. Toutefois, si l'un des d'appareils se lie avec cet appareil d'abord, l'autre appareil Bluetooth ne la trouvera pas sur la liste.
2. Si votre périphérique Bluetooth est temporairement déconnecté de votre haut-parleur, alors vous devez reconnecter manuellement votre appareil à nouveau avec le haut-parleur.
3. Si « DMR200 » est affiché dans votre liste d'appareils Bluetooth, mais que votre appareil ne peut pas se connecter avec elle, veuillez supprimer l'élément de votre liste et coupez de nouveau l'appareil avec le haut-parleur en suivant les étapes décrites précédemment.
4. La portée de fonctionnement effective entre le système et l'appareil couplé est d'environ 10 mètres (30 pieds). Tout obstacle entre le système et l'appareil risque de réduire la portée de fonctionnement.
5. La performance de connectivité Bluetooth peut varier en fonction des appareils Bluetooth connectés. Référez-vous aux fonctionnalités Bluetooth de votre appareil avant de connecter votre radio. Toutes les fonctions ne seront peut-être pas compatibles sur certains appareils Bluetooth.

Lire des fichiers audio en mode Bluetooth

Lorsque vous avez correctement connecté votre radio

avec l'appareil Bluetooth de votre choix, vous pouvez commencer à lire votre musique en utilisant les contrôles sur votre appareil Bluetooth connecté.

1. Une fois que la lecture a commencé, réglez le volume sur la valeur souhaitée en utilisant les boutons   de volume de votre haut-parleur ou sur votre appareil avec Bluetooth activé. Lorsque vous appuyez sur le bouton Volume haut / bas, le voyant de volume clignote rouge. Si le voyant est rouge permanent, il indique que le volume est au maximum ou minimum.
2. Utilisez les commandes de votre appareil pour la lecture / pause et naviguez parmi les pistes. Alternativement, contrôlez la lecture en utilisant Lecture / Pause ( ), le bouton Piste suivante () , le bouton Piste précédente () sur le haut-parleur.
3. Appuyez et maintenez le bouton Piste Suivante () ou () Piste précédente pour avancer rapidement / reculer la piste actuelle. Relâchez le bouton lorsque le point souhaité dans la piste est atteint.

Remarque :

1. Toutes les applications de lecture ou périphériques peuvent répondre à l'ensemble de ces contrôles.
2. Certains téléphones mobiles peuvent se déconnecter temporairement de votre haut-parleur lorsque vous donnez ou recevez des appels. Certains appareils peuvent couper temporairement leur streaming audio Bluetooth quand ils reçoivent des messages texte, e-mails ou pour d'autres raisons non liées au comportement du streaming audio. Ce comportement est une fonction de l'appareil connecté et ne constitue pas un défaut de votre haut-parleur.

Mémoire du haut-parleur et reconnexion d'un appareil

Votre haut-parleur peut mémoriser jusqu'à 8 appareils couplés, lorsque la mémoire dépasse ce nombre, le premier appareil couplé sera remplacé. Si votre appareil Bluetooth a déjà été couplé avec le haut-parleur précédemment, l'unité mémorisera votre appareil Bluetooth et essaiera de se reconnecter avec l'appareil qui a été le dernier connecté enregistré en mémoire. Si le dernier appareil connecté n'est pas disponible, le haut-parleur ne sera pas détectable.

Déconnecter votre appareil Bluetooth

Tenez la touche Bluetooth  2-3 secondes pour déconnecter votre appareil Bluetooth. L'indicateur Bluetooth clignote en bleu pour indiquer que l'enceinte est détectable de nouveau pour le couplage.

Lire de la musique par l'intermédiaire de la prise d'entrée auxiliaire

Une prise d'entrée auxiliaire de 3,5 mm est prévu sur le côté droit de l'appareil pour permettre l'entrée d'un signal audio dans l'appareil de tous les périphériques qui dispose d'une sortie casque ou audio, comme un iPod, lecteur MP3 ou CD.

1. Connectez une source audio stéréo ou mono (par exemple, iPod, MP3 ou lecteur de CD) à la prise auxiliaire d'entrée (marqué «AUX») et l'indicateur

AUX IN devient vert, indiquant que le haut-parleur est en mode d'entrée auxiliaire.

2. Réglez le volume de votre iPod, lecteur MP3 ou lecteur CD pour assurer un niveau de volume suffisant, utilisez ensuite la commande de réglage Volume de l'unité pour régler le volume sur un niveau d'écoute confortable.

Remarque :

Afin de réduire la consommation d'énergie, la fonction Bluetooth est automatiquement désactivée lors de la connexion d'un appareil audio au connecteur audio Aux in.

ENTRETIEN

⚠ AVERTISSEMENT :

- N'utilisez jamais d'essence, de benzène, de diluant, d'alcool ou produits similaires. Des décolorations, déformations ou des fissures peuvent en résulter.

Spécification

Amplificateur

Puissance de sortie	18V:10W 14,4V:6W 10,8V:3,5W
Fréquence de réponse	50 Hz ~ 20kHz

Aux In

Sensibilité d'entrée	250 mVrms @ 100Hz
----------------------	-------------------

Haut-parleur

Haut-parleur principal	101,6 mm 8 ohms 10W
Haut-parleur tweeter	36mm 8ohm 10W

Bluetooth

Version Bluetooth	4.0
Profils du Bluetooth	A2DP/ SCMS-T/ AVRCP
Puissance de Transmission	Bluetooth de spécification de puissance de Classe 2
Porté de transmission	10m max. (varie selon les conditions d'utilisation)
Codec pris en charge	SBC
Profile Bluetooth Compatible	A2DP

Général

Adaptateur secteur	DC 12V 1.5A, broche de centrale positif
Batterie de type amovible	10,8V/ 14,4 V / 18 V
Poids	2.7KG(sans batterie)

La société se réserve le droit de modifier les spécifications sans préavis.

DEUTSCH (Originalanleitung)

Symbole

Nachfolgend werden die Symbole für dieses Gerät erläutert. Verinnerlichen Sie die Bedeutung aller Symbole vor dem Gebrauch.



Lesen Sie die Bedienungsanleitung gut durch.



Nur für EU-Länder

Entsorgen Sie Elektrowerkzeuge, Batterien und Akkus nicht über den Hausmüll!

Gemäß der Europäischen Richtlinie über Elektro- und Elektronik- Altgeräte und über Batterien und Akkumulatoren sowie Altbatterien und Altakkumulatoren und ihrer Umsetzung in nationales Recht müssen verbrauchte Elektrowerkzeuge sowie Altbatterien und Altakkumulatoren getrennt gesammelt und einer umweltgerechten Wiederverwertung zugeführt werden.

WICHTIGE SICHERHEITSHINWEISE

⚠️ WARNUNG:

Bei der Verwendung elektrischer Geräte sind die nachfolgenden grundlegenden Sicherheitsvorkehrungen zu beachten, um die Gefahr von Feuer, Stromschlägen und Verletzungen zu vermeiden:

1. Lesen Sie diese Bedienungsanleitung und die Anleitungen des Ladegeräts vor dem Gebrauch sorgfältig durch.
2. Nur mit einem trockenen Lappen reinigen.
3. Stellen Sie das Gerät nicht in der Nähe von Hitzequellen, wie z. B. Heizungen, Herden oder anderen Geräten die Hitze produzieren (z. B. Verstärker) auf.
4. Verwenden Sie lediglich vom Hersteller angegebene Zubehör.
5. Ziehen Sie bei Gewittern oder bei längerer Nichtbenutzung den Stecker aus der Steckdose.
6. Ein batteriebetriebener Lautsprecher mit integrierten Batterien oder einem separaten Akku darf nur mit dem für die Batterie bestimmten Ladegerät aufgeladen werden. Ladegeräte, die für einen bestimmten Typ von Batterie geeignet sind, können beim Gebrauch mit anderen Batterien Feuer verursachen.
7. Verwenden Sie batteriebetriebene Lautsprecher nur mit den speziell dafür vorgegebenen Batterien. Die Verwendung anderer Batterien kann Feuer verursachen.
8. Halten Sie den Akku während des Nichtgebrauchs von anderen Metallgegenständen fern: Büroklammern, Münzen, Schlüssel, Nägel oder andere kleine Metallgegenstände, die eine Verbindung zwischen den Klemmen herstellen können. Ein Kurzschluss der Pole kann Funken, Verbrennungen oder Feuer verursachen.
9. Vermeiden Sie den Körperkontakt mit geerdeten Oberflächen wie Rohre, Heizkörper, Herde und Kühlschränke. Es besteht erhöhte Stromschlaggefahr, falls Ihr Körper geerdet wird.
10. Bei Missbrauch des Geräts kann Flüssigkeit aus der Batterie austreten; Kontakt vermeiden. Bei versehentlichem Kontakt mit Wasser abspülen. Falls Batterieflüssigkeit in die Augen gelangt, suchen Sie einen Arzt auf. Batterieflüssigkeit kann Reizungen und

Verbrennungen verursachen.

11. Der NETZSTECKER ist die Trennvorrichtung und muss immer zugänglich sein.

DIESE ANLEITUNGEN GUT AUFBEWAHREN

SPEZIELLE SICHERHEITSHINWEISE

FÜR DAS BATTERIEGEHÄUSE

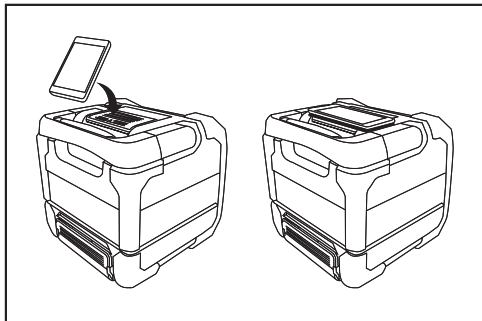
1. Lesen Sie vor dem Gebrauch des Batteriegehäuses alle Anleitungen und Warnhinweise auf dem Ladegerät (1), der Batterie (2) und dem Produkt (3) durch.
2. Das Batteriegehäuse nicht auseinanderbauen.
3. Falls die Betriebsdauer deutlich nachlässt, beenden Sie umgehend den Gebrauch. Anderenfalls besteht die Gefahr von Überhitzung, Verbrennungen oder sogar Explosionen.
4. Falls Elektrolyt in Ihre Augen gelangt, spülen Sie diese mit klarem Wasser aus und suchen Sie umgehend einen Arzt auf. Anderenfalls besteht die Gefahr, dass Sie Ihr Sehvermögen verlieren.
5. Gefahr, dass Sie Ihr Sehvermögen verlieren. Batteriegehäuse nicht kurzschließen:
 - (1) Lassen Sie die Klemmen nicht mit leitenden Materialien in Kontakt kommen.
 - (2) Bewahren Sie das Batteriegehäuse nicht in einem Behälter mit anderen Metallgegenständen wie Nägeln, Münzen usw. auf.
 - (3) Schützen Sie das Batteriegehäuse vor Wasser und Regen. Der Kurzschluss der Batterie kann einen großen Stromfluss, Überhitzung, Verbrennungen oder sogar einen Ausfall des Geräts verursachen.
6. Bewahren Sie das Gerät und das Batteriegehäuse nicht an Orten mit Temperaturen von über 50 °C(122°F) auf.
7. Verbrennen Sie das Batteriegehäuse nicht, auch wenn dieses extrem beschädigt oder vollständig abgenutzt ist. Das Gehäuse könnte in einem Feuer explodieren.
8. Batterie nicht fallenlassen und vor Aufprall schützen.
9. Verwenden Sie die Batterie nicht, falls diese beschädigt ist.

Tipps für eine maximale Nutzungsdauer der Batterie

1. Laden Sie die Batterie auf, bevor diese vollständig entladen ist. Beenden Sie den Betrieb und laden Sie die Batterie auf, wenn die Leistung des Geräts nachlässt.
Laden Sie eine vollständig geladene Batterie nicht weiter auf. Überladung verkürzt die Lebensdauer.
2. Laden Sie die Batterie bei einer Umgebungstemperatur von 10 °C - 40 °C (50 °F - 104 °F) auf. Lassen Sie ein heißes Batteriegehäuse vor dem Aufladen abkühlen.
3. Laden Sie die Batterie, falls Sie das Gerät längere Zeit (länger als 6 Monate) nicht verwenden werden.

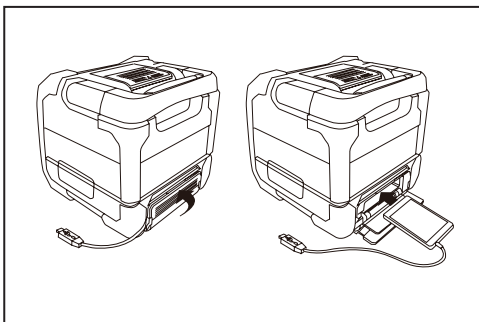
Übersicht des Geräts (Abb. 1)

1. Verriegelung Batteriefach
2. Ablage für Handy



3. Wiedergabe/Pause
4. Nächster Titel/ Vorspulen
5. Lautstärke erhöhen
6. Lautstärke reduzieren
7. Aux-Eingangsanzeige
8. Anzeige für max. oder min. Lautstärke/ Niedriger Batteriestatus
9. Bluetooth-Anzeige
10. Bluetooth-Kopplung
11. Betriebsstaste
12. Vorheriger Titel/ Zurückspulen
13. Lautsprecher
14. Griff
15. DC-Eingang
16. Aux-Eingang

17. USB-Ladeanschluss
18. Kabelöffnung
19. Aufbewahrungsfach für Handy



20. 14,4 V/18V Batterieklammer
21. 10,8 V Batterieklammer
22. Batterieabdeckung
23. Batteriegehäuse
24. Taste
25. Abdeckung für Handy-Aufbewahrungsfach

Betrieb

Der Lautsprecher kann mit Makita-Akkus betrieben oder an eine herkömmliche Steckdose angeschlossen werden.

Batteriebetrieb

Die nachfolgende Tabelle ist eine Übersicht mit der jeweiligen Betriebsdauer pro Batterieladung.

Batterie-Kapazität	Spannung Batteriegehäuse			AT LAUTSPRECHERAUSGANG=100mW (Einheit: Stunden) (ungefährer Wert)			
	10,8V	14,4V	18V	AUX-EINGANG	Bluetooth	AUX-Eingang + USB(2,1A)	Bluetooth +USB(2,1A)
1,3Ah		BL1415	BL1815	7,5	7,0	1,0	
1,5Ah	BL1015			12	11	1,0	
		BL1415N		10	9,0	1,0	
2,0Ah			BL1815N	9,5	9,0	1,5	
	BL1020B			15	14	1,0	
3,0Ah		BL1430/ BL1430B		13	12	2,0	
			BL1830/ BL1830B	16	15	2,0	
4,0Ah				18	17	3,0	
	BL1040B			31	28	2,5	
		BL1440		26	24	3,0	
5,0Ah			BL1840/ BL1840B	25	24	4,0	
		BL1450		31	29	3,5	
6,0Ah			BL1850/ BL1850B	32	31	5,5	
		BL1460B		34	32	4,0	
		BL1860B		39	37	6,5	

Batteriegehäuse installieren und entfernen (Abb. 3 und 4)

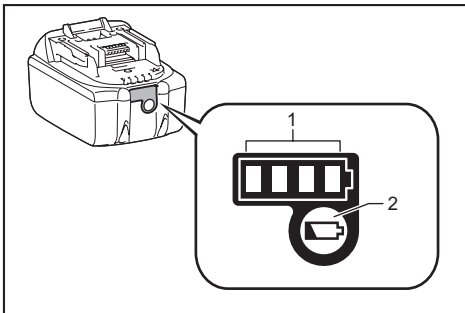
- Um das Batteriegehäuse zu installieren, richten Sie die Nase am Batteriegehäuse mit der Einkerbung am Gehäuse des Geräts aus und schieben Sie es hinein, bis es mit einem Klickgeräusch einrastet.
- Falls Sie die rote Anzeige an der Oberseite der Taste sehen können, ist das Batteriegehäuse nicht vollständig eingerastet. Installieren Sie es vollständig, bis die rote Anzeige nicht mehr zu sehen ist. Anderenfalls könnte das Batteriegehäuse aus dem Gerät herausfallen und Verletzungen verursachen.
- Wenden Sie bei der Installation des Batteriegehäuses keine Gewalt an. Falls sich das Batteriegehäuse nicht mühelos hineinschieben lässt, ist es nicht richtig positioniert.
- Entfernen Sie das Batteriegehäuse, indem Sie die Taste an der Vorderseite des Batteriegehäuses drücken und das Gehäuse herausziehen.

Hinweis:

Bei niedriger Batteriekapazität blinkt die mittlere LED rot.

Anzeige der verbleibenden Batteriekapazität

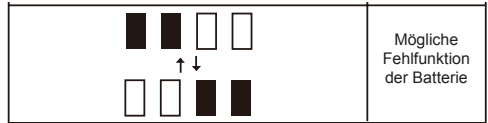
Nur bei Batteriegehäusen mit „B“ am Ende der Modellnummer



- 1. Anzeigelampen 2. Test-Taste

Drücken Sie die Test-Taste am Batteriegehäuse, um die verbleibende Batteriekapazität anzuzeigen. Die Anzeigelampen leuchten einige Sekunden lang auf.

Anzeigelampen			Verbleibende Kapazität
Leuchtet	Aus	Blinkt	
■ ■ ■ ■			75% bis 100%
■ ■ ■ □			50% bis 75%
■ ■ □ □			25% bis 50%
■ □ □ □			0% bis 25%
■/□ □ □ □			Batterie aufladen



HINWEIS: Je nach Gebrauchsbedingungen und Umgebungstemperatur können die Anzeigen leicht von der tatsächlichen Kapazität abweichen.

Verwendung des mitgelieferten AC-Netzadapters (Abb. 5)

Entfernen Sie die Gummikappe und schließen Sie den Adapterstecker an die DC-Buchse rechts am Lautsprecher an. Schließen Sie dann den Netzadapter an eine Steckdose an. Bei Anschluss des Netzadapters wird der Akku automatisch getrennt. Trennen Sie den AC-Netzadapter während des Nichtgebrauchs vom Netzstrom.

WICHTIG:

Der Netzadapter verbindet das Radio mit dem Netzstrom. Die Steckdose, mit der das Radio verbunden ist, muss während des normalen Gebrauchs immer zugänglich sein. Um das Radio vollständig vom Netzstrom zu trennen, muss der Netzadapter vollständig aus der Steckdose gezogen werden.

Stromversorgung via USB

Verwenden Sie diesen Port zum Aufladen eines Handys oder anderer Geräte, die einen DC-Strom von weniger als 2,1 A benötigen. Zum Aufladen muss der Lautsprecher eingeschaltet sein.

Hinweis: Vergewissern Sie sich, dass Ihr externes Gerät wie z.B. Handy, MP3-Player oder iPod mit dem Lautsprecher kompatibel ist. Informieren Sie sich vor dem Aufladen in der Bedienungsanleitung Ihres externen Geräts über dessen technische Daten.

WICHTIG :

- Bevor Sie ein USB-Gerät mit dem Ladegerät verbinden, sichern Sie immer die Daten des USB-Geräts. Daten können aus unterschiedlichsten Gründen verlorengehen.
- Möglicherweise kann das Ladegerät nicht alle USB-Geräte mit Strom versorgen.
- Trennen Sie das USB-Kabel und schließen Sie die Abdeckung während des Nichtgebrauchs bzw. nach Abschluss des Ladevorgangs.
- Verbinden Sie den USB-Port nicht mit der Stromversorgung. Es besteht Brandgefahr. Der USB-Port ist nur zum Aufladen von Niederspannungsgeräten bestimmt. Installieren Sie immer die Abdeckung auf dem USB-Port, wenn Sie keine Geräte damit aufladen.
- Stecken Sie keine Nägel, Drähte usw. in den USB-Port. Es besteht Rauch- und Brandgefahr.
- Verbinden Sie diesen USB-Anschluss nicht mit dem USB-Port eines PCs; dies könnte zum Ausfall beider Geräte führen.

Externes Gerät mit dem Lautsprecher koppeln und verbinden

Sie müssen Ihr Bluetooth-Gerät mit dem DMR200 koppeln, bevor Sie beide Geräte automatisch verbinden und Musik via Bluetooth über den Lautsprecher wiedergeben/übertragen können. Durch die Kopplung entsteht eine „Verbindung“, die es beiden Geräten ermöglicht, sich gegenseitig zu erkennen.

Erstmalige Kopplung und Wiedergabe Ihres Bluetooth-Geräts

1. Drücken Sie die Betriebs Taste  zum Einschalten des Lautsprechers; die Bluetooth-Anzeige blinkt blau. Wenn die Anzeige anfängt, schnell blau zu blinken, ist der Lautsprecher für andere Geräte erreichbar.
2. Aktivieren Sie an Ihrem externen Gerät gemäß dessen Bedienungsanleitung die Bluetooth-Funktion, um es mit dem Lautsprecher zu koppeln. Öffnen Sie die Bluetooth-Geräteliste und wählen Sie das Gerät „DMR200“. Einige Handys (mit älteren Versionen als BT2.1 Bluetooth) erfordern möglicherweise die Eingabe eines Passworts. Geben Sie in solch einem Fall „0000“ ein.
Nach erfolgreicher Verbindung ertönt ein Signal und die Bluetooth-Anzeige leuchtet stetig blau. Sie können nun Musik auswählen und an Ihrem externen Gerät oder direkt über den Lautsprecher abspielen.
4. Verwenden Sie die Tasten an Ihrem Bluetooth-fähigen Gerät oder am Lautsprecher, um Titel abzuspielen/ zu unterbrechen bzw. zu suchen.


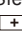


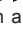

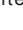
Hinweis:

1. Bei der erstmaligen Kopplung von 2 Bluetooth-Geräten suchen beide Geräte nach dem DMR200; an beiden Geräten wird dessen Verfügbarkeit angezeigt. Sobald jedoch ein Gerät mit dem Lautsprecher verbunden ist, erscheint es nicht mehr in der Geräteliste des zweiten Bluetooth-Geräts.
2. Falls Ihr Bluetooth-Gerät vorübergehend vom Lautsprecher getrennt ist, müssen Sie es erneut manuell mit dem Lautsprecher verbinden.
3. Falls „DMR200“ in der Geräteliste Ihres Bluetooth-Geräts erscheint, jedoch nicht verbunden werden kann, löschen Sie es aus der Liste und führen Sie die Kopplung erneut anhand der vorher beschriebenen Vorgehensweise durch.
4. Die effektive Reichweite zwischen dem System und dem gekoppelten Gerät beträgt ungefähr 10 Meter (30 Fuß). Hindernisse zwischen dem System und dem Gerät können die Betriebsreichweite reduzieren.
5. Bluetooth-Verbindungsfähigkeit kann je nach verbundenem Bluetooth-Gerät variieren. Informieren Sie sich über die Bluetooth-Fähigkeit Ihres externen Geräts, bevor Sie Ihr Radio verbinden. Einige gekoppelte Bluetooth-Geräte unterstützen möglicherweise nicht alle Funktionen.

Wiedergabe von Audiodateien im Bluetooth-Modus

Nachdem Sie Ihren Lautsprecher erfolgreich mit einem Bluetooth-Gerät verbunden haben, können Sie Musik unter Verwendung der Tasten am verbundenen

Bluetooth-Gerät abspielen.

1. Nach dem Start der Wiedergabe können Sie die Lautstärke mit den Lautstärketasten   an Ihrem Lautsprecher oder Ihrem aktivierten Bluetooth-Gerät einstellen. Beim Drücken der Tasten Lautstärke erhöhen/ Lautstärke reduzieren blinkt die Lautstärkeanzeige schnell rot. Wenn die Anzeige rot leuchtet, ist die maximale oder die geringste Lautstärkeeinstellung erreicht.
2. Verwenden Sie die Tasten an Ihrem Gerät, um die Wiedergabe zu starten/ zu unterbrechen und um Titel auszuwählen. Alternativ dazu können Sie die Wiedergabe mit den Lautsprechertasten Wiedergabe/Pause  bzw. Nächster Titel  oder Vorheriger Titel  steuern.
3. Halten Sie die Taste Nächster Titel  oder Vorheriger Titel  gedrückt, um den aktuellen Titel vor- oder zurückzuspulen. Lassen Sie die Taste los, sobald Sie die gewünschte Stelle erreicht haben.


Hinweis:

1. Möglicherweise reagieren nicht alle Anwendungen oder Geräte auf das Drücken der Tasten.
2. Bei einigen Handys wird möglicherweise vorübergehend die Verbindung mit dem Lautsprecher getrennt, während Sie Anrufe tätigen oder entgegennehmen. An einigen Geräten wird die Bluetooth-Übertragung stumm geschaltet, wenn Textnachrichten und E-Mails eingehen oder andere Gründe auftreten, die nicht im Zusammenhang mit der Audioübertragung stehen. Dies liegt am externen Gerät und ist keine Fehlfunktion Ihres Lautsprechers.

Geräte speichern und erneut verbinden

Der DMR200 kann bis zu 8 gekoppelte Geräte speichern. Bei Überschreitung der Anzahl dieses Speichers wird der älteste Speichereintrag überschrieben. Falls Ihr Bluetooth-Gerät bereits zu einem früheren Zeitpunkt mit dem Lautsprecher gekoppelt wurde, erkennt der Lautsprecher das Bluetooth-Gerät und wird immer versuchen, die Verbindung mit dem zuletzt verbundenen Gerät wieder herzustellen. Falls das zuletzt verbundene Gerät nicht verfügbar ist, ist der Lautsprecher nicht erkennbar.

Bluetooth-Gerät trennen

Halten Sie die Taste Bluetooth  2-3 Sekunden gedrückt, um Ihr Bluetooth-Gerät zu trennen. Die Anzeige Bluetooth blinkt blau und weist darauf hin, dass der Lautsprecher wieder für die Kopplung verfügbar ist.

Musikwiedergabe via Aux-Eingang

An der rechten Seite des Geräts befindet sich eine 3,5 mm Aux-Eingangsbuchse für die Audioübertragung von externen Geräten, die über einen Kopfhörer- oder Audioausgang verfügen (z.B. iPod, MP3-Player oder CD-Player).

1. Schließen Sie eine Stereo- oder Mono-Audioquelle (z.B. iPod, MP3- oder CD-Player) an den (mit „AUX“ markierten) Eingang an; die Aux-Eingangsanzeige leuchtet grün auf und weist somit auf den Aux-

Eingangsmodus hin.

2. Stellen Sie an Ihrem iPod, MP3- Player oder CD- Player die Lautstärke entsprechend ein und nehmen Sie dann die Lautstärkeeinstellung an Ihrem Lautsprecher vor.

Hinweis:

Wenn ein Audiogerät mit dem Aux-Eingang verbunden ist, wird die Bluetooth-Funktion deaktiviert, um den Energieverbrauch zu reduzieren.

WARTUNG

⚠ VORSICHT :

- Verwenden Sie niemals Kraftstoff, Benzin, Verdüner, Alkohol oder ähnliches; dies könnte zu Verfärbungen, Verformungen oder Rissen führen.

Technische Daten

Verstärker

Ausgangsleistung	18V:10W 14,4V:6W 10,8V:3,5W
Frequenzbereich	50Hz - 20kHz

Aux-Eingang

Eingangsempfindlichkeit	250mVrms @100Hz
-------------------------	-----------------

Lautsprecher

Hauptlautsprecher	101,6mm 8 Ohm 10W
Tweeter-Lautsprecher	36mm 8Ohm 10W

Bluetooth

Bluetooth-Version	4.0
Bluetooth-Profil	A2DP/ SCMS-T/ AVRCP
Übertragungsleistung	Bluetooth-Spezifikation Leistungsklasse 2
Übertragungreichweite	Max. 10m (abhängig von Gebrauchsbedingungen)
Unterstützter Codec	SBC
Kompatibles Bluetooth-Profil	A2DP

Allgemein

AC-Netzteil	DC-Eingang 12V 1,5A, mittlere Klemme positiv
Batterie	10,8 V/14,4 V/ 18 V
Gewicht	2.7KG (ohne Batterie)

Wir behalten uns das Recht vor, die technischen Daten ohne Vorankündigung zu ändern.

ITALIANO (Istruzioni Originali)

Legenda

Qui di seguito vengono descritti i simboli usati per l'apparecchio. Accertarsi di comprendere il loro significato prima dell'uso.



Leggere il manuale delle istruzioni.



Solo per Paesi UE

Non gettare le apparecchiature elettriche o le batterie tra i rifiuti domestici.

Secondo le Direttive Europee sui rifiuti di apparecchiature elettriche ed elettroniche, su batterie e accumulatori e sui rifiuti di batterie e di accumulatori, e la sua attuazione in conformità alle norme nazionali, le apparecchiature elettriche e le batterie esauste devono essere raccolte separatamente, al fine di essere riciclate in modo eco-compatibile.

IMPORTANTI ISTRUZIONI PER LA SICUREZZA

⚠ AVVERTENZE:

Quando si usa un utensile elettrico, per ridurre il rischio di incendi, scosse elettriche e infortuni, è necessario seguire alcune precauzioni di base, incluse le seguenti:

1. Prima dell'uso, studiare bene il presente manuale e il manuale delle istruzioni del caricabatteria.
2. Pulire solo con un panno asciutto.
3. Non installare nei pressi di fonti di calore, quali stufe, termosifoni, radiatori o altri apparecchi che producano calore (amplificatori inclusi).
4. Usare esclusivamente gli accessori specificati dal produttore.
5. Staccare la spina dell'apparecchio durante i temporali o se non intende usarlo per lunghi periodi.
6. Un altoparlante a batterie, integrate o in pacco, va ricaricato esclusivamente utilizzando il caricabatteria specifico per quel tipo di batterie. Un caricabatteria compatibile con altri tipi di batterie, può presentare il rischio di incendio se utilizzato con batterie di tipo diverso.
7. L'altoparlante a batterie va usato solo con il tipo di batterie per cui è stato progettato. L'uso di batterie di diverso tipo può comportare il rischio di incendi.
8. Quando il pacco di batterie non è in uso, va tenuto separato da altri oggetti in metallo, quali: fermagli, monete, chiavi, viti e altri oggetti metallici minuti, che potrebbero mettere in cortocircuito i due poli della batteria, con il rischio di causare scintille, e quindi incendi o ustioni.
9. Evitare il contatto personale con superfici dotate di messa terra, quali tubi, termosifoni, fornelli e frigoriferi. Il rischio di scossa elettrica aumenta notevolmente se il proprio corpo è connesso a una presa a terra.
10. Se abusate, le batterie potrebbero espellere gli elettroliti al loro interno, il contatto con i quali va evitato. In caso di contatto accidentale, sciacquare con acqua. In caso di contatto con gli occhi, rivolgersi a un medico. Gli elettroliti espulsi dalle batterie possono causare ustioni chimiche o irritazioni.

11. La SPINA dell'apparecchio funge da dispositivo di scollegamento di emergenza, e come tale va mantenuta prontamente accessibile.

CONSERVARE QUESTE ISTRUZIONI

AVVERTENZE PER LA SICUREZZA

SPECIFICHE PER IL PACCO DI BATTERIE

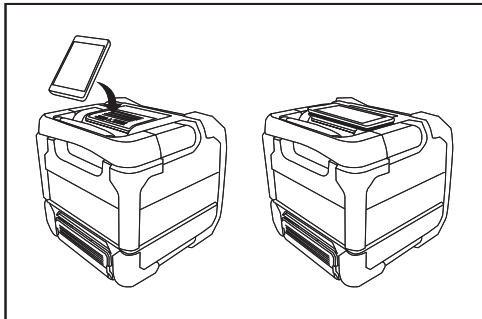
1. Prima di usare il pacco di batterie, leggere tutte le istruzioni e i contrassegni di avvertenza sul pacco batterie (1), sulle batterie (2) e sul prodotto che usa le batterie (3).
2. Non smontare il pacco batterie.
3. Se la durata delle batterie si riduce eccessivamente, cessarne immediatamente l'uso, onde evitare il rischio di surriscaldamenti, ustioni e perfino esplosioni.
4. Nel caso gli elettroliti della batteria finiscano negli occhi, sciacquare con acqua pulita e rivolgersi immediatamente a un medico. C'è il rischio di danni alla vista.
5. Non mettere il pacco delle batterie in cortocircuito:
 - (1) Non toccare i poli con materiali conduttori;
 - (2) Non riporre il pacco delle batterie in contenitori con altri oggetti metallici, quali chiodi, monete e simili;
 - (3) Non esporre la batteria ad acqua o umidità. Un cortocircuito della batteria può causare sovraccarichi di tensione, surriscaldamenti, ustioni ed anche guasti.
6. Non riporre l'apparecchio e il pacco delle batterie in luoghi con temperature vicine o superiori ai 50°C.
7. Non bruciare il pacco delle batterie, anche se severamente danneggiato o completamente usurato, o potrebbe incendiarsi ed anche esplodere.
8. Fare attenzione a non sottoporre le batterie a urti o cadute.
9. Non usare le batterie se danneggiate.

Suggerimenti per estendere al massimo la durata complessiva della batteria

1. Ricaricare il pacco della batteria prima che sia del tutto scarico. Se si nota un calo di potenza, cessare sempre l'uso dell'apparecchio e ricaricarne le batterie.
2. Non ricaricare mai delle batterie già completamente cariche. L'eccessiva ricarica può compromettere la durata complessiva delle batterie.
3. Ricaricare le batterie a temperatura ambiente (10°C ~ 40°C). Se calde, lasciarle raffreddare prima di ricaricarle.
4. Ricaricare le batterie se non si intende usarle per lunghi periodi (superiori ai sei mesi).

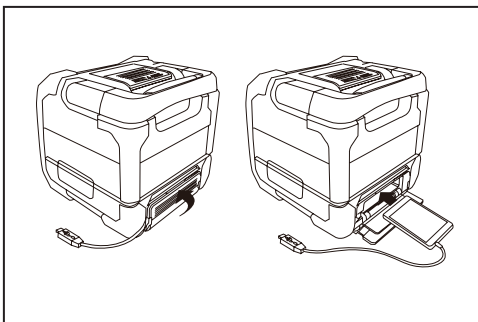
Descrizione del prodotto (Fig.1)

1. Vano Batterie
2. Pannello di Alloggio per Cellulare



3. Tasto Avvio/Pausa
4. Tasto Brano Successivo/ Avanzamento Veloce
5. Tasto Aumenta Volume
6. Tasto Diminuisci Volume
7. Indicatore Ingresso Aux-In
8. Indicatore Livello Volume Minimo e Massimo / Indicatore Batteria Scarica
9. Indicatore Bluetooth
10. Tasto Sincronizzazione Bluetooth
11. Tasto di Alimentazione
12. Tasto Brano Precedente / Riavvolgimento Veloce
13. Altoparlante
14. Impugnatura
15. Presa Corrente CC (DC-IN)
16. Presa Ingresso Ausiliario

17. Presa Ricarica USB
18. Foro del Cavo
19. Ripostiglio Cellulare



20. Terminale Batteria 14,4V/18V
21. Terminale Batteria 10,8V
22. Coperchio Batterie
23. Pacco Batterie
24. Tasto
25. Coperchio Ripostiglio Cellulare

Alimentazione

L'altoparlante può essere alimentato a batterie o collegandolo a una prese elettrica.

Alimentazione a batteria

La seguente tabella indica l'autonomia per le singole ricariche.

Capacità Batterie	Voltaggio Pacco Batterie			USCITA ALTOPARLANTE AT = 100mW (unità: Ora) (Approssimativamente)			
	10,8V	14,4V	18V	AUX IN	Bluetooth	AUX IN+ USB(2,1A)	Bluetooth +USB(2,1A)
1,3Ah		BL1415	BL1815	7,5	7,0	1,0	
1,5Ah	BL1015			12	11	1,0	
		BL1415N		10	9,0	1,0	
2,0Ah			BL1815N	9,5	9,0	1,5	
	BL1020B			15	14	1,0	
3,0Ah		BL1430/ BL1430B		16	15	2,0	
			BL1830/ BL1830B	18	17	3,0	
4,0Ah	BL1040B			31	28	2,5	
		BL1440		26	24	3,0	
5,0Ah			BL1840/ BL1840B	25	24	4,0	
		BL1450		31	29	3,5	
6,0Ah			BL1850/ BL1850B	32	31	5,5	
		BL1460B		34	32	4,0	
		BL1860B		39	37	6,5	

Installare o rimuovere il pacco batterie a inserimento (fig. 3 e 4)

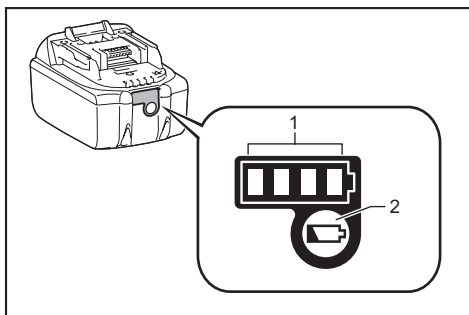
- Per installare il pacco delle batterie, allinearne la linguetta con la fessura dell'alloggio, quindi spingerlo all'interno. Inserirlo sempre completamente fino a udire lo scatto.
- Se si vede la luce rossa sul lato superiore del tasto, significa che l'inserimento non è completo. Completare l'inserimento fino allo spegnersi della luce rossa, o le batterie potrebbero scivolare fuori, causando infortuni all'utente o a terzi.
- Non esercitare eccessiva forza nell'inserire il pacco delle batterie. Se il pacco non entra con facilità, significa che non lo si sta inserendo correttamente. Per rimuovere il pacco batterie, farlo scivolare fuori dall'apparecchio mentre si tiene premuto il tasto sul lato anteriore del pacco stesso.

Nota:

Quando la batteria è scarica, la spia LED centrale lampeggia in rosso.

Indicatore di livello residuo della batteria

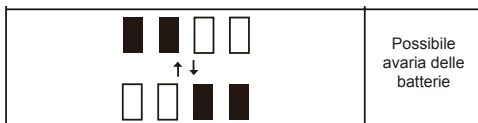
Solo per pacchi batterie contrassegnati con "B" alla fine del numero del modello



- 1. Indicatore luminoso 2. Tasto di controllo

Premere il tasto di controllo sul pacco delle batterie per verificare il livello di carica residuo. L'indicatore luminoso si accenderà per pochi secondi.

Indicatore luminoso			Livello residuo
Acceso	Spento	Lampeggiante	
■ ■ ■ ■	□ □ □ □	■	75% ~ 100%
■ ■ ■ □	□ □ □ □	■	50% ~ 75%
■ ■ □ □	□ □ □ □	■	25% ~ 50%
■ □ □ □	□ □ □ □	■	0% ~ 25%
■	□ □ □ □	■	Ricaricare le batterie



Possibile avaria delle batterie

NOTA: Il valore indicato potrebbe variare leggermente dalla capacità effettiva, a seconda delle condizioni d'uso e della temperatura ambientale.

Uso dell'adattatore CC in dotazione (Fig. 5)

Rimuovere a protezione in gomma e collegare l'adattatore alla presa CC posta sul lato destro dell'altoparlante, quindi collegare l'adattatore a una presa elettrica standard. Collegando l'adattatore il pacco batterie viene automaticamente disinserito. L'adattatore CC deve essere scollegato dalla rete elettrica quando non lo si usa.

IMPORTANTE:

L'adattatore CC serve a collegare l'altoparlante alla rete elettrica. La presa elettrica dell'altoparlante deve essere mantenuta accessibile durante l'uso. Per scollegare completamente l'altoparlante dalla rete elettrica è necessario scollegare completamente l'adattatore dalla presa elettrica.

Presenza di Alimentazione USB

Questa presa può essere usata per ricaricare un cellulare o un qualsiasi altro dispositivo che utilizza corrente CC con amperaggio inferiore ai 2,1A.

La ricarica può essere effettuata solo con l'altoparlante spento.

Nota: Accertarsi che le specifiche tecniche del dispositivo esterno (cellulare, lettore MP3 o iPod) siano compatibili con la corrente erogata dall'altoparlante. Prima di procedere alla ricarica del dispositivo esterno, leggerne il manuale di istruzioni.


IMPORTANTE:

- Prima di ricaricare un dispositivo con la presa USB, effettuare sempre una copia dei dati in esso contenuti, onde evitarne la possibile perdita.
- Il caricabatteria potrebbe non essere in grado di ricaricare alcuni dispositivi USB.
- Se non lo si usa, rimuovere il cavo USB e chiuderne il coperchio.
- Non collegare l'alimentazione alla porta USB, onde prevenire il rischio di incendi. La porta USB va usata solo con i voltaggi più bassi. Rimettere sempre il coperchio sulla porta USB quando non la si usa.
- Non inserire chiodi, cavi e oggetti simili nella porta USB, o si potrebbe causare un cortocircuito con conseguente rischio di incendio.
- Non collegare la porta USB dell'altoparlante alla porta USB di un computer, in quanto è altamente possibile causare guasti e danni permanenti.

Collegare e sincronizzare un dispositivo all'apparecchio

Prima di riprodurre musica da un dispositivo esternativo Bluetooth sull'altoparlante DMR200, sarà necessario sincronizzare i due dispositivi. La sincronizzazione serve a stabilire una connessione tra i due dispositivi in modo che si riconoscano l'un l'altro.

Sincronizzazione iniziale di un dispositivo Bluetooth per riprodurre musica

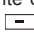





1. Premere il tasto di alimentazione  per attivare l'altoparlante, e l'indicatore Bluetooth lampeggerà in blu. L'indicatore lampeggerà velocemente in blu per confermare che l'altoparlante è rilevabile.
2. Attivare Bluetooth sul proprio dispositivo secondo le istruzioni per collegare l'altoparlante contenute nel manuale. Nella lista dei dispositivi Bluetooth rilevati selezionare "DMR200". Alcuni dispositivi, dotati di una versione precedente alla BT2.1, potrebbe essere necessario inserire la password "0000".
3. Una volta stabilita la connessione, l'indicatore Bluetooth si accenderà fisso in blu, e si udrà un segnale acustico. A questo punto basterà selezionare un brano nel proprio per riprodurlo. Il volume potrà essere regolato dal proprio dispositivo o direttamente dall'altoparlante.
4. Usare i controlli del dispositivo Bluetooth esterno o dell'altoparlante per avviare la riproduzione, metterla in pausa e navigare i brani.

Nota:

1. Sincronizzando per la prima volta due dispositivi Bluetooth, entrambi riporteranno l'DMR200 nella lista dei dispositivi rilevati. Tuttavia, collegando uno dei dispositivi, sulla lista dell'altro non sarà più possibile rilevare l'altoparlante.
2. Se il proprio dispositivo viene temporaneamente scollegato dall'altoparlante, sarà necessario ricollegarlo manualmente.
3. Nel caso l'DMR200 appaia nell'elenco dei dispositivi Bluetooth rilevati, ma sia impossibile stabilire la connessione con esso, cancellarlo dall'elenco e ripetere la sincronizzazione seguendo le istruzioni precedenti.
4. Il raggio di azione effettivo tra l'altoparlante e il dispositivo con esso sincronizzato è di circa 10 metri. Ogni ostacolo tra i due dispositivi potrebbe ridurre tale raggio d'azione.
5. Le prestazioni della connessione Bluetooth possono variare a seconda dei dispositivi connessi. Fare riferimento alle capacità Bluetooth del dispositivo esterno prima di collegarlo all'altoparlante. Non è possibile garantire il supporto di tutte le funzioni su alcuni dispositivi Bluetooth sincronizzati.

Riproduzione di file audio in modalità Bluetooth

Una volta completata la connessione tra l'altoparlante e il dispositivo Bluetooth esterno, sarà possibile usare i controlli di quest'ultimo per avviare l'ascolto.

1. Una volta avviato l'ascolto, regolare il volume con i controlli dell'altoparlante o del dispositivo Bluetooth esterno. Usando i tasti  per alzare o abbassare il volume sull'altoparlante, l'indicatore del volume lampeggerà in rosso. Se l'indicatore rimane fisso in rosso, significa che il volume è al massimo o al minimo.
Usare i controlli del dispositivo esterno per avviare, mettere in pausa e navigare i brani. In alternativa, è possibile usare i controlli dell'altoparlante: Avvio/Pausa () , Brano Successivo () , Brano Precedente () .
Tenere premuti i tasti Brano Successivo () o Brano Precedente () per navigare a velocità avanzata all'interno di un singolo brano. Rilasciare il tasto una volta raggiunto il punto desiderato all'interno del brano.


Nota:

1. Non tutte le applicazioni e i dispositivi rispondono a questi controlli.
2. Alcuni cellulari potrebbero disconnettersi temporaneamente dall'altoparlante quando si riceve o effettua una chiamata. Alcuni dispositivi potrebbero interrompere temporaneamente il loro segnale audio Bluetooth al ricevimento di messaggi di testo, email o per altre ragioni non relative al segnale audio. Ciò è dovuto a una funzione del dispositivo esterno, e non a un'avarìa dell'altoparlante.

Memoria dell'altoparlante e riconnessione a un dispositivo

L'altoparlante può memorizzare fino a 8 serie di dispositivi sincronizzati. Quando la memoria si esaurisce, l'ultimo dispositivo sincronizzato verrà sovrascritto. Se si è già sincronizzato l'altoparlante con un dispositivo Bluetooth esterno, la sincronizzazione avverrà in maniera automatica. Nel caso l'ultimo dispositivo connesso non sia disponibile, l'altoparlante apparirà nella lista dei dispositivi rilevati.

Scollegare il Dispositivo Bluetooth Esterno

Tenere premuto per 2-3 secondi il tasto  di sincronizzazione Bluetooth per scollegare il dispositivo esterno. L'indicatore Bluetooth lampeggerà in blu a confermare che l'altoparlante è ora rilevabile e disponibile ad essere sincronizzato.

Riproduzione di Musica tramite l'ingresso ausiliario Aux-In

L'altoparlante è dotato di un ingresso ausiliario da 3,5mm posto sul suo lato destro, che gli permette di ricevere un segnale audio da un qualsiasi dispositivo dotato di un'uscita audio o per cuffie (iPod, lettore MP3 o lettore CD).

1. Collegare una sorgente audio mono o stereo (ad esempio, iPod, lettore MP3 o lettore CD) all'ingresso ausiliario (contrassegnato 'AUX'), e l'indicatore Aux-In confermerà la connessione accendendosi in verde.
2. Regolare il volume sul dispositivo esterno (iPod, lettore MP3 o lettore CD) per ottimizzare il segnale,

e quindi regolare il volume dell'altoparlante sul livello desiderato.

Nota:

Completando un collegamento nell'ingresso ausiliario, la funzione Bluetooth verrà disabilitata per ridurre il consumo energetico dell'apparecchio.

MANUTENZIONE

⚠ ATTENZIONE:

- Non applicare mai sul prodotto benzine, solventi, diluenti, alcool e simili, in quanto potrebbero deformarlo, scolorirlo o incrinarlo.

Specifiche Tecniche

Amplificatore

Potenza in uscita	18V:10W 14,4V:6W 10,8V:3,5W
Risposta in frequenza	50Hz~20kHz

Ingresso Aux-In

Sensibilità ingresso	250mVrms @100Hz
----------------------	-----------------

Altoparlante

Altoparlante principale	101,6mm 8Ω 10W
Altoparlante suoni alti	36mm 8Ω 10W

Bluetooth

Versione Bluetooth	4.0
Profili Bluetooth	A2DP/SCMS-T/AVRCP
Trasmissione energia	Specifiche energia Bluetooth Classe 2
Raggio d'azione	Massimo 10m (varia con le condizioni d'uso)
Codec Supportato	SBC
Profilo compatibilità Bluetooth	A2DP

Generali

Adattatore alimentazione AC	DC in 12V 1,5A, ago centrale positivo
Batteria a inserimento	10,8 V/14,4 V/ 18 V
Peso	2,7KG(senza batterie)

Il produttore si riserva il diritto di modificare le specifiche tecniche senza preavviso.

Nederlands (oorspronkelijke handleiding)

Symbolen

Hieronder worden de symbolen getoond die worden gebruikt voor de apparatuur. Zorg ervoor dat u de betekenis van de symbolen begrijpt voordat u het apparaat gebruikt.



Lees de handleiding.



Alleen voor EU-landen
Geef elektrisch gereedschap en accu's niet met het huisvuil mee!

Volgens de Europese richtlijn inzake oude elektrische en elektronische apparaten, en inzake batterijen en accu's en oude batterijen en accu's, en de toepassing daarvan binnen de nationale wetgeving, dienen elektrisch gereedschap, accu's en batterijen die het einde van hun levensduur hebben bereikt, gescheiden te worden ingezameld en te worden afgevoerd naar een recyclebedrijf dat voldoet aan de geldende milieu-eisen.

BELANGRIJKE VEILIGHEIDSVORSCHRIFTEN

⚠️ AAVERTENZE:

Bij het gebruik van elektrisch gereedschap moeten altijd elementaire veiligheidsmaatregelen worden gevolgd, om het risico op brand, elektrische schokken en persoonlijk letsel te beperken, waaronder de volgende:

1. Lees deze handleiding en de handleiding van de oplader vóór gebruik zorgvuldig door.
2. Alleen reinigen met een droge doek.
3. Niet installeren in de buurt van warmtebronnen, zoals radiatoren, kachels of andere apparaten (inclusief versterkers) die warmte produceren.
4. Gebruik alleen accessoires/hulpstukken die door de fabrikant zijn gespecificeerd.
5. Haal de stekker van het apparaat uit het stopcontact tijdens onweer of als het apparaat voor lange tijd niet wordt gebruikt.
6. Een luidspreker die werkt op batterijstroom met ingebouwde batterijen of een losse accu mag alleen worden opgeladen met een oplader die voldoet aan de specificaties van de batterijen of accu. Een oplader die geschikt is voor één soort batterij of accu kan tot brandgevaar leiden indien gebruikt met een ander soort batterij of accu.
7. Gebruik een luidspreker die werkt op batterijen of een accu alleen met specifiek aanbevolen batterijen of accu's. Gebruik van andere batterijen of accu's kan leiden tot brandgevaar.
8. Als de accu niet wordt gebruikt, houd deze dan uit de buurt van andere metalen voorwerpen zoals: paperclips, muntjes, sleutels, spijkers, schroeven of andere kleine metalen objecten die contactpunten van de accu kunnen verbinden. Het kortsluiten van de accupolen kan leiden tot vonken, brandwonden of brand.
9. Vermijd lichamelijk contact met geaarde oppervlakken zoals leidingen, radiatoren en koelkasten. Er bestaat een verhoogd risico op elektrische schokken als uw lichaam geaard is.

10. Bij verkeerd gebruik kan vloeistof vrijkomen uit de accu; vermijd contact. Als u per ongeluk in contact komt met deze vloeistof, spoel dan met water. Als er vloeistof in contact komt met de ogen, raadpleeg dan bovendien een arts. Vloeistof die vrijkomt uit de accu kan irritatie of brandwonden veroorzaken.
11. De stekker wordt gebruikt om het apparaat los te koppelen van het lichtnet en moet altijd eenvoudig bereikbaar blijven.

BEWAAR DEZE INSTRUCTIES

SPECIFIEKE VEILIGHEIDSVORSCHRIFTEN

VOOR ACCU

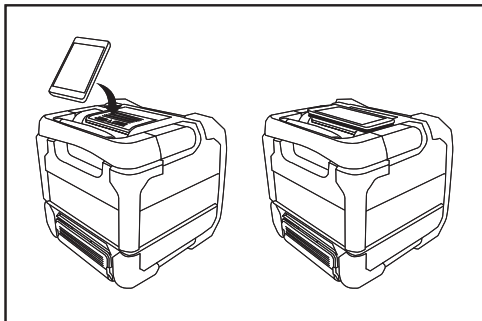
1. Lees, voordat u de accu gebruikt, alle instructies en waarschuwingen op de (1) acculader, de (2) accu en het (3) product dat gebruik maakt van de accu. Demonteer de accu niet.
2. Als de gebruiksduur extreem veel korter is geworden, stop het gebruik dan onmiddellijk. Dit kan leiden tot een risico op oververhitting, mogelijke brandwonden en zelfs een explosie.
3. Als er elektrolyt in uw ogen komt, spoel ze dan met schoon water en raadpleeg onmiddellijk een arts. Het kan leiden tot het verlies van uw gezichtsvermogen.
5. Sluit de accu niet kort:
 - (1) Raak de contactpunten niet aan met geleidende materialen.
 - (2) Bewaar de accu niet in een doos met andere metalen voorwerpen, zoals spijkers, muntjes, etc.
 - (3) Stel de accu niet bloot aan water of regen. Kortsluiting van de accu kan leiden tot een grote stroomafgifte, oververhitting, mogelijke brandwonden en zelfs een defect.
6. Bewaar het gereedschap en de accu niet op plaatsen waar de temperatuur kan oplopen tot of hoger kan zijn dan 50 °C(122°F)
Verbrand de accu niet, zelfs als de accu ernstig beschadigd of volledig versleten is. De accu kan exploderen in vuur.
8. Wees voorzichtig en laat de accu niet vallen of stoot niet te hard tegen de accu.
Maak geen gebruik van beschadigde accu's.

Tips voor het behoud van een maximale levensduur van de accu

1. Laad de accu op voordat deze volledig is ontladen. Stop altijd het gebruik van het gereedschap en laad de accu op als u merkt dat er minder vermogen is.
2. Laad nooit een volledig opgeladen accu op. Overladen verkort de levensduur van de accu.
3. Laad de accu op bij een kamertemperatuur van 10 °C - 40 °C (50 °F - 104 °F). Laat een warme accu afkoelen alvorens hem op te laden.
4. Laad de accu op als u deze niet gebruikt voor een lange periode (meer dan zes maanden).

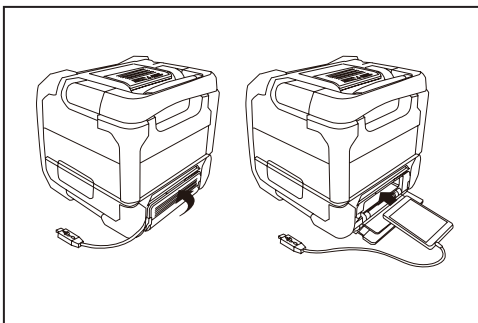
Overzicht van de belangrijkste onderdelen (zie afb. 1)

1. Vergrendeling batterijvak
2. Paneel voor mobiele telefoon



3. Afspelen/Pauzeren
4. Knop Volgende track /Vooruitspoelen
5. Knop Volume verhogen
6. Knop Volume verlagen
7. Aux-indicator
8. Indicator max. of min. volume / Indicator accu bijna leeg
9. Bluetooth-indicator
10. Knop Bluetooth koppelen
11. Knop Power
12. Knop Vorige track/ Terugspoelen
13. Luidspreker
14. Handvat
15. DC-ingang
16. Aux-ingang

17. USB-oplaadpoort
18. Kabelgat
19. Opbergvak mobiele telefoon



20. 14,4 V/18V accuaansluiting
21. 10,8 V accuaansluiting
22. Accudeksel
23. Accu
24. Knop
25. Deksel opbergvak mobiele telefoon

Power

De luidspreker kan van stroom worden voorzien door Makita-accu's of een standaard stopcontact.

De luidspreker van stroom voorzien met accustroom

De volgende tabel geeft een indicatie van de gebruiksduur op een enkele lading.

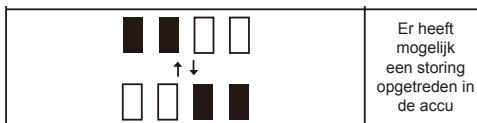
Capaciteit accu	Spanning accu			BIJ LUIDSPREKERVERMOGEN=100mW (unit: uur) (ca.)			
	10,8V	14,4V	18V	AUX IN	Bluetooth	AUX IN+ USB(2,1A)	Bluetooth +USB(2,1A)
1,3Ah		BL1415	BL1815	7,5	7,0	1,0	
1,5Ah	BL1015			12	11	1,0	
		BL1415N		10	9,0	1,0	
2,0Ah			BL1815N	9,5	9,0	1,5	
	BL1020B			15	14	1,0	
3,0Ah			BL1820/ BL1820B	13	12	2,0	
		BL1430/ BL1430B		16	15	2,0	
4,0Ah			BL1830/ BL1830B	18	17	3,0	
	BL1040B			31	28	2,5	
		BL1440		26	24	3,0	
5,0Ah			BL1840/ BL1840B	25	24	4,0	
		BL1450		31	29	3,5	
6,0Ah			BL1850/ BL1850B	32	31	5,5	
		BL1460B		34	32	4,0	
		BL1860B		39	37	6,5	

Installeren of verwijderen van de accu (fig. 3 en 4)

- Installeer de accu door de tong op de accu uit te lijnen met de groef in de behuizing en de accu vervolgens op zijn plaats te schuiven. Schuif de accu altijd volledig naar binnen tot deze vastklikt met een klein klikgeluid.
- Als u de rode indicator op de bovenkant van de knop kunt zien, is de accu niet volledig vastgeklikt. Installeer de accu volledig tot de rode indicator niet meer zichtbaar is. Als u dit niet doet, kan het gereedschap eventueel uitvallen en letsel veroorzaken.
- Gebruik geen kracht bij het installeren van de accu. Als de accu niet eenvoudig naar binnen geschoven kan worden, dan wordt de accu niet correct geïnstalleerd.
- Verwijder de accu door deze uit het gereedschap te schuiven terwijl u de knop op de voorkant van de accu indrukt.

Opmerking:

Als de batterij van de luidspreker bijna leeg is, zal de middelste LED rood knipperen.



Er heeft mogelijk een storing opgetreden in de accu

OPMERKING: Afhankelijk van de gebruiksomstandigheden en de omgevingstemperatuur kan de indicatie enigszins afwijken van de werkelijke capaciteit.

De meegeleverde netadapter gebruiken (Fig. 5)

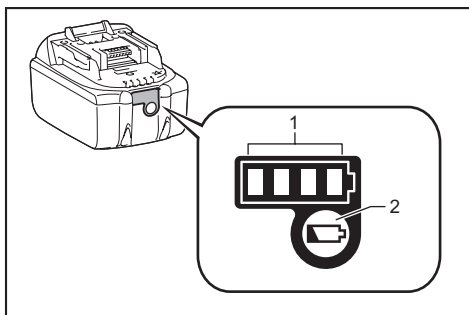
Verwijder de rubberen bescherming en steek de stekker van de adapter in de DC-aansluiting op de rechterkant van de luidspreker. Steek de adapter in een normaal stopcontact. Als de adapter wordt gebruikt, wordt gebruik van accustroom automatisch uitgeschakeld. De netadapter moet uit het stopcontact worden gehaald als het apparaat niet wordt gebruikt.

BELANGRIJK:

De lichtnetadapter wordt gebruikt om de radio te verbinden met het lichtnet. Tijdens normaal gebruik dient de lichtnetadapter van de radio in het stopcontact te blijven zitten. Om de radio volledig uit te schakelen, dient de stekker uit het stopcontact gehaald te worden.

Indicatie van de resterende accucapaciteit

Alleen voor accu's met een "B" aan het einde van het modelnummer



- 1. Indicatorlampjes 2. Controleknop

Druk op de controleknop op de accu om de resterende accucapaciteit weer te geven. De indicatorlampjes lichten voor een paar seconden op.

Indicatorlampjes			Resterende capaciteit
Opgelicht	Uit	Knippert	
■ ■ ■ ■			75% tot 100%
■ ■ ■ □			50% tot 75%
■ ■ □ □			25% tot 50%
■ □ □ □			0% tot 25%
■ □ □ □	■		Laad de accu op

USB-poort voor opladen

Deze USB-poort kan worden gebruikt om een mobiele telefoon of ander apparaat dat minder dan 2,1A gelijkstroom gebruikt op te laden. Er kan alleen worden opgeladen als de luidspreker is ingeschakeld.

Opmerking: Bekijk de specificaties van uw extern apparaat, zoals mobiele telefoon, mp3-speler of iPod, en controleer of het apparaat compatibel is met de luidspreker. Lees de handleiding van uw extern apparaat door voordat u het oplaadt met behulp van de luidspreker.

BELANGRIJK:

- Maak, voordat u het USB-apparaat aansluit op de USB-poort, altijd een backup van de data op het USB-apparaat. Anders bestaat er de mogelijkheid dat de data verloren gaat.
- Het is mogelijk dat de USB-poort niet aan alle USB-apparaat stroom kan leveren.
- Als u de USB-poort niet gebruikt, verwijder de USB-kabel dan en sluit het deksel.
- Sluit geen stroombron aan op de USB-poort. Als u dit toch doet, is er brandgevaar. De USB-poort is alleen bedoeld voor het opladen van apparaten met een lagere spanning. Plaats het deksel altijd op de USB-poort als u geen apparaat met een lagere spanning oplaadt.
- Steek geen spijker, draad, etc. in de USB-poort. Als u dit toch doet, kan er kortsluiting ontstaan en dit kan leiden tot rook en brand.
- Sluit deze USB-poort niet aan op een USB-poort van uw PC, omdat het zeer waarschijnlijk is dat dit zal leiden tot een defect aan een van beide of beide apparaten.

ESPAÑOL (Instrucciones originales)

Símbolos

Lo siguiente muestra los símbolos usados por el equipo. Asegúrese de que entiende su significado, antes de usar el equipo.



Lea el manual de instrucciones.



Sólo para países de la Unión Europea
¡No deseche el aparato eléctrico o la batería junto con los residuos domésticos!
De conformidad con la Directiva Europea sobre residuos de aparatos eléctricos y electrónicos, y sobre baterías y acumuladores y el desecho de baterías y acumuladores y su aplicación de acuerdo con la legislación nacional, la herramienta eléctrica y las baterías y paquetes de baterías cuya vida útil haya llegado a su fin se deberán recoger por separado y trasladar a una planta de reciclaje que cumpla con las exigencias ecológicas.

INSTRUCCIONES IMPORTANTES DE SEGURIDAD

⚠ ADVERTENCIA:

Cuando utilice herramientas eléctricas, para reducir el riesgo de incendio, descarga eléctrica y lesiones personales, siga siempre las precauciones básicas de seguridad, incluyendo lo siguiente:

1. Lea el manual de instrucciones y el manual de instrucciones del cargador detenidamente antes de usarlos.
2. Limpie el equipo solo con un paño seco.
3. No instale cerca de fuentes de calor, como radiadores, estufas, fuegos de cocina u otros aparatos (incluyendo amplificadores) que produzcan calor.
4. Utilice únicamente accesorios especificados por el fabricante.
5. Desenchufe este aparato durante las tormentas o cuando no vaya a usarlo por un periodo prolongado.
6. Un altavoz que funcione por medio de baterías bien integradas o bien independientes, solo debe cargarse con el cargador específico para la batería. Un cargador adecuado para un tipo de batería, puede crear riesgo de incendio cuando se usa con otra batería.
7. Use un altavoz que funcione por medio de baterías solo con baterías específicamente diseñadas. El uso de otras baterías podría crear riesgo de incendio.
8. Cuando la batería no esté en uso, manténgala alejada de otros objetos metálicos como: clips, monedas, llaves, clavos, tornillos u otros objetos metálicos pequeños que pudieran crear conexiones de un terminal a otro. El contacto entre sí de los terminales de las baterías puede provocar chispas, quemaduras o fuego.
9. Evite contacto corporal con superficies conectadas a tierra como tuberías, radiadores, estufas y refrigeradores. Hay un incremento del riesgo de descarga eléctrica si su cuerpo está conectado a tierra.
10. En condiciones abusivas, puede que de la batería se expulse líquido, evite el contacto. Si de forma accidental entra en contacto con el líquido, enjuague

con agua. Si el líquido entrase en contacto con los ojos, busque ayuda médica. El líquido expulsado de la batería puede causar irritación o quemaduras.

11. El enchufe principal de la red eléctrica se utiliza como dispositivo de desconexión, y debe estar siempre disponible.

GUARDE ESTAS INSTRUCCIONES

REGLAS ESPECÍFICAS DE SEGURIDAD

PARA EL CARTUCHO DE BATERÍA

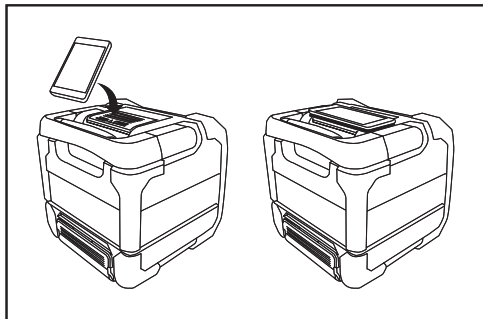
1. Antes de utilizar el cartucho de batería, lea todas las instrucciones y advertencias en (1) el cargador de la batería, (2) la baterías, (3) el producto que usa la batería.
2. No desmonte el cartucho de batería.
3. Si el tiempo de funcionamiento se ha vuelto excesivamente corto, pare inmediatamente. Puede haber riesgo de sobrecalentamiento, posibles quemaduras o incluso una explosión.
4. Si el electrolito entra en contacto con los ojos, lávelos con agua limpia y busque atención médica de inmediato. Podría dar como resultado la pérdida de visión.
5. No haga un cortocircuito con el cartucho de batería.
 - (1) No toque los terminales con un material conductor.
 - (2) Evite almacenar el cartucho de batería en recipientes con otros objetos metálicos como clavos, monedas, etc.
 - (3) No exponga la batería al agua o lluvia. Un cortocircuito en la batería puede producir un gran flujo, sobrecalentamiento, posibles quemaduras e incluso una avería.
6. No guarde la herramienta ni el cartucho de batería en lugares donde la temperatura pueda llegar a o superar los 50 °C (122 °F).
7. No incinere el cartucho de batería incluso si está muy dañado o completamente desgastado. El cartucho de batería podría explotar en el fuego.
8. Tenga cuidado de no dejar caer o golpear la batería.
9. No use una batería dañada.

Consejos para mantener al máximo la vida útil de la batería

1. Cargue el cartucho de batería antes de que se descargue completamente. Deje de usar la herramienta y cargue la batería cuando note que la batería tiene menos potencia.
2. Nunca cargue un cartucho de batería que esté totalmente cargado. La sobrecarga reduce la vida útil de la batería.
3. Cargue el cartucho de batería con una temperatura ambiente de entre 10 y 40 grados centígrados (50 °F-104 °F). Antes de cargarla, deje que una batería que esté caliente se enfríe.
4. Cargue el cartucho de batería si no lo usa durante un largo periodo de tiempo (más de seis meses).

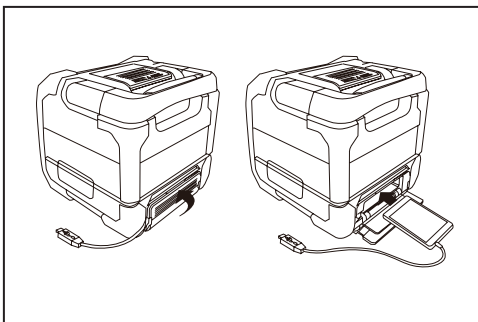
Explicación de la vista general (Fig. 1)

1. Compartimento de la batería
2. Panel para colocar el teléfono móvil (celular)



3. Botón Reproducción/pausa
4. Botón pista siguiente/avance rápido
5. Botón subir volumen
6. Botón bajar volumen
7. Indicador de entrada auxiliar
8. Indicador de volumen máximo o mínimo/indicador batería baja
9. Indicador de Bluetooth
10. Botón de vinculación Bluetooth
11. Botón de encendido
12. Botón pista anterior/rebobinar
13. Altavoz
14. Asa
15. Toma de entrada CC
16. Toma de entrada auxiliar

17. Toma de carga USB
18. Agujero para cable
19. Compartimento para guardar el teléfono móvil (celular)



20. Terminal de la batería 14.4 V/18 V
21. Terminal de la batería 10.8 V
22. Cubierta de la batería
23. Cartucho de batería
24. Botón
25. Cubierta del compartimento donde se guarda el móvil

Alimentación

El altavoz puede funcionar por medio de baterías Makita o por medio de una toma de corriente estándar.

Alimentación por batería

La siguiente tabla indica el tiempo de uso con una sola carga.

Capacidad de la batería	Voltaje del cartucho de batería			CON SALIDA DE ALTAVOZ = 100 mW (unidad: Hora) (aproximadamente)			
	10,8V	14,4V	18V	Entrada auxiliar	Bluetooth	Entrada auxiliar +USB(2,1A)	Bluetooth +USB(2,1A)
1,3Ah		BL1415	BL1815	7,5	7,0		1,0
1,5Ah	BL1015			12	11		1,0
		BL1415N		10	9,0		1,0
2,0Ah			BL1815N	9,5	9,0		1,5
	BL1020B			15	14		1,0
3,0Ah		BL1430/ BL1430B		16	15		2,0
			BL1830/ BL1830B	18	17		3,0
4,0Ah	BL1040B			31	28		2,5
		BL1440		26	24		3,0
5,0Ah			BL1840/ BL1840B	25	24		4,0
		BL1450		31	29		3,5
6,0Ah			BL1850/ BL1850B	32	31		5,5
		BL1460B		34	32		4,0
			BL1860B	39	37		6,5

Instalación o retirada del cartucho de batería (fig. 3 y 4)

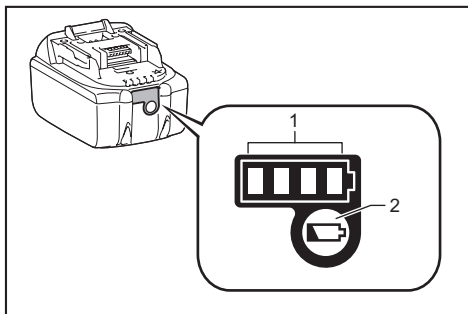
- Para instalar el cartucho de batería, alinee la lengüeta en el cartucho de batería con la ranura en la carcasa y deslícela a su lugar. Siempre insértela hasta que encaje en su sitio con un pequeño clic.
- Si puede ver el indicador rojo en la parte superior del botón, no está ajustada completamente. Instálela completamente hasta que el indicador rojo no se pueda ver. De lo contrario, podría caerse accidentalmente de la herramienta, lesionándole a usted o a alguien a su alrededor.
- No use la fuerza al insertar el cartucho de batería. Si el cartucho no se desliza fácilmente es que no se está insertando correctamente.
- Para retirar el cartucho de batería, deslícelo de la herramienta mientras presiona el botón en la parte frontal del cartucho.

Nota:

Cuando el altavoz está en batería baja, el LED central parpadeará en rojo.

Indicaciones de la batería restante

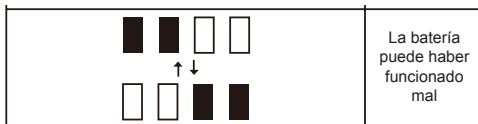
Solo para cartuchos de batería que tengan una "B" al final del número de modelo



- 1. Luces indicadoras 2. Botón de comprobación

Presione el botón en el cartucho de batería para mostrar la batería restante. Las luces indicadoras se encenderán por unos segundos.

Luces indicadoras			Capacidad restante
Iluminado	Apagado	Parpadeando	
■ ■ ■ ■	□ □ □ □	▬	del 75% al 100%
■ ■ ■ □	□ □ □ □	▬	del 50% al 75%
■ ■ □ □	□ □ □ □	▬	del 25% al 50%
■ □ □ □	□ □ □ □	▬	del 0% al 25%
▬ □ □ □	□ □ □ □	▬	Cargue la batería



La batería puede haber funcionado mal

NOTA: Dependiendo de las condiciones de uso y de la temperatura ambiente, la indicación puede diferir ligeramente de la capacidad real.

Usando el adaptador de CA suministrado (Fig. 5)

Retire el protector de goma e inserte la clavija del adaptador en la toma de CC en la parte derecha del altavoz. Enchufe el adaptador a una toma de corriente estándar. Cuando el adaptador se usa, la batería se desconecta automáticamente. Cuando no lo use, el adaptador de CA debe ser desconectado de la alimentación principal.

IMPORTANTE:

El adaptador de corriente se emplea como medio de desconexión de la radio de la toma de alimentación. La toma de alimentación usada con la radio deberá permanecer accesible durante su uso. Para desconectar completamente la radio de la red de suministro, el adaptador deberá ser desenchufado.

Toma de corriente USB

Esta toma puede usarse para cargar un teléfono móvil o cualquier otro dispositivo que use menos de 2.1 A de CC. Solo se cargará cuando el altavoz esté encendido.

Nota: Asegúrese de que la especificación de su dispositivo externo como un teléfono móvil, reproductor de mp3 o iPod es compatible con el altavoz. Lea el manual de instrucciones de su dispositivo externo antes de cargar.


IMPORTANTE:

- Antes de conectar el dispositivo USB al cargador, haga siempre una copia de seguridad de los datos del dispositivo USB. De lo contrario, su información podría perderse.
- El cargador puede que no suministre energía a algunos dispositivos USB.
- Cuando no lo use, o tras cargar, retire el cable USB y cierre la cubierta.
- No conecte la fuente de alimentación al puerto USB. De lo contrario puede haber riesgo de fuego. El puerto USB es solo para cargar dispositivos de bajo voltaje. Cuando no esté cargando el dispositivo de bajo voltaje, coloque siempre la cubierta en el puerto USB.
- No inserte un clavo, cable, etc. en el puerto de alimentación USB. De lo contrario, un cortocircuito podría causar humo y fuego.
- No conecte esta toma USB al puerto USB del PC, ya que es muy probable que esto pueda causar daños en las unidades.

Emparejamiento y conexión de un dispositivo al altavoz

Tendrá que emparejar su dispositivo Bluetooth con su DMR200 antes de poder autoenlazar para reproducir / transmitir música de Bluetooth mediante su altavoz con Bluetooth. El emparejamiento creará un 'vínculo' de modo que ambos dispositivos se reconozcan entre ellos.

Emparejamiento y reproducción de su dispositivo Bluetooth por vez primera

1. Presione el Botón de encendido  para encender el altavoz y el Indicador de Bluetooth parpadeará en azul. El indicador parpadeará rápido en azul para indicar que el altavoz es reconocible.
2. Active el Bluetooth de su dispositivo según su manual del usuario para enlazar con el altavoz. Localice la lista de dispositivos Bluetooth y seleccione el que lleve por nombre 'DMR200.' Algunos dispositivos móviles (equipados con versiones de Bluetooth anteriores a la BT2.1), puede que sea necesario introducir la contraseña "0000".
3. Una vez conectado, se oirá un pitido y el indicador de Bluetooth permanecerá encendido en azul. Podrá seleccionar y reproducir música desde su dispositivo fuente. El volumen podrá ser ajustado desde su dispositivo fuente o directamente desde el altavoz. Use los controles de su dispositivo con función de Bluetooth o los del altavoz para reproducir / dejar en pausa y navegar por las pistas.








Nota:

1. Si dos dispositivos Bluetooth, vinculándose por primera vez, buscan el DMR200, este se mostrará disponible para ambos dispositivos. Sin embargo, si un dispositivo se enlaza con esta unidad primero, entonces el otro dispositivo Bluetooth no lo encontrará en la lista.
2. Si su dispositivo Bluetooth se desconecta temporalmente de su altavoz, entonces, deberá reconectar su dispositivo al altavoz de forma manual. Si "DMR200" aparece en la lista de su dispositivo Bluetooth, pero no puede conectarse a él, borre el elemento de la lista y vincule de nuevo el dispositivo con el altavoz, siguiendo los pasos descritos anteriormente.
3. El alcance efectivo de uso entre el sistema y el dispositivo emparejado es de aproximadamente 10 metros (30 pies). Cualquier obstáculo interpuesto entre el sistema y el dispositivo podrá reducir el alcance operativo.
4. La capacidad de la conectividad Bluetooth podría variar dependiendo del dispositivo Bluetooth que se haya conectado. Por favor, consulte las especificaciones Bluetooth de su dispositivo antes de conectarlo a su radio. Puede que no todas las funciones estuvieran disponibles en algunos dispositivos Bluetooth.

Reproducción de archivos de audio en el modo Bluetooth

Cuando haya conectado su altavoz con el dispositivo Bluetooth que haya elegido, ya podrá comenzar a reproducir

su música usando los controles del dispositivo Bluetooth al que se haya conectado.

1. Una vez que la reproducción haya comenzado, ajuste el volumen al nivel deseado usando los botones de volumen   en su altavoz o en su dispositivo Bluetooth. Cuando presione el botón de subir o bajar volumen, el indicador de volumen parpadeará rápidamente en rojo de forma intermitente. Si el indicador de luz muestra una luz roja continua, esto indica que el volumen está al máximo o al mínimo. Use los controles en su dispositivo para reproducir, pausar y navegar por las pistas. De forma alternativa, controle la reproducción usando los botones Reproducir/pausar , Pista siguiente , Pista anterior  en el altavoz. Mantenga presionado el botón de Pista siguiente  o  Pista anterior para avanzar rápidamente o rebobinar la pista actual. Suelte el botón cuando llegue al punto de la pista deseado.

Nota:


1. Que puede que no todos los reproductores o dispositivos respondan a todos los controles.
2. Algunos teléfonos móviles puede que se desconecten temporalmente de su altavoz al realizar o recibir llamadas. Algunos dispositivos puede que silencien temporalmente su transmisión de audio por Bluetooth cuando reciben mensajes de texto, correos electrónicos o por otros motivos ajenos a la transmisión de audio. Ese comportamiento es una función del dispositivo conectado y no indica un fallo en su altavoz.

Memoria del altavoz y reconexión de un dispositivo

DMR200 puede memorizar hasta 8 dispositivos emparejados. Cuando la memoria exceda esta cantidad, el primero de los dispositivos emparejados será sobrescrito.

Si su dispositivo Bluetooth hubiera sido emparejado con el altavoz anteriormente, la unidad memorizará su dispositivo Bluetooth e intentará reconectarse con el dispositivo de la memoria con el que se conectó por última vez. Si el último dispositivo con el que se conectó no estuviera disponible, el altavoz será reconocible.

Desconexión de su dispositivo Bluetooth

Mantenga pulsado el botón de Bluetooth  2-3 segundos para desconectarse de su dispositivo Bluetooth. El indicador Bluetooth parpadeará en azul indicando que el altavoz es reconocible de nuevo para el emparejamiento.

Reproducción de música por medio de la toma de entrada auxiliar

Para permitir que la unidad reciba una señal de audio de cualquier dispositivo que cuente con auriculares o salida de audio como un iPod, MP3 o reproductor de CD, el lateral derecho de la unidad está provisto con una toma de entrada auxiliar de 3,5 mm.

1. Conecte una fuente de audio estéreo o mono (por ejemplo, un iPod, MP3 o reproductor de CD) a la

toma de audio auxiliar (marcada como "AUX") y el indicador de entrada de audio se volverá verde, indicando que el altavoz está en modo de entrada auxiliar.

2. Ajuste el volumen de su iPod, reproductor de MP3 o CD para garantizar una buena señal y después ajuste el volumen del altavoz a su gusto.

Nota:

Cuando la toma Aux in esté conectada a un dispositivo de audio, la función de Bluetooth estará desactivada para minimizar el consumo de batería.

MANTENIMIENTO

⚠ PRECAUCIÓN:

- Nunca use gasolina, bencina, diluyentes, alcohol o similares. Podría dar como resultado decoloración, deformaciones o roturas.

Especificaciones

Amplificador

Potencia de salida	18V:10W 14,4V:6W 10,8V:3,5W
Frecuencia de respuesta	50 Hz~20 kHz

Entrada auxiliar

Sensibilidad de entrada	250 mVrms a 100 Hz
-------------------------	--------------------

Altavoz

Altavoz principal	101,6 mm 8 ohm 10 W
Tweeter	36 mm 8 ohm 10 W

Bluetooth

Versión Bluetooth	4.0
Perfiles Bluetooth	A2DP/SCMS-T/AVRCP
Potencia de transmisión	Bluetooth de clase 2
Alcance de transmisión	Máximo 10 m (varía en función de las condiciones de uso)
Codec compatible	SBC
Perfil Bluetooth compatible	A2DP

General

Adaptador de corriente CA	CC en 12V 1.5 A, pin central positivo
Batería	10,8V/14,4 V/18 V
Peso	2,7KG(sin batería)

La compañía se reserva el derecho para modificar las especificaciones sin previo aviso.

PORTUGUÊS (Instruções de origem)

Símbolos

O seguinte mostra os símbolos usados para o equipamento. Certifique-se que compreende o seu significado antes de usar.



Leia o manual de instruções



Apenas para países da UE

Não deite equipamentos eléctricos ou a bateria no lixo doméstico!

De acordo com as directivas europeias sobre ferramentas eléctricas e electrónicas usadas e baterias, acumuladores e baterias usadas e a sua aplicação em conformidade com as leis nacionais, as ferramentas eléctricas, as baterias e conjuntos usados devem ser recolhidos em separado e encaminhados para uma instalação de reciclagem dos materiais ecológicos.

SEGURANÇA IMPORTANTE INSTRUÇÕES

⚠ ADVERTÊNCIA:

Quando utiliza ferramentas elétricas, deve seguir sempre as precauções de segurança básicas para reduzir o risco de incêndio, choque elétrico e danos pessoais, incluindo o seguinte:

1. Leia cuidadosamente o manual de instruções e o manual de instruções do carregador antes de usar.
2. Limpe apenas com um pano seco.
3. Não instale o aparelho junto de fontes de calor como radiadores, registos de calor, fogões ou outros aparelhos (incluindo amplificadores) que produzam calor.
4. Utilize apenas as ligações/acessórios especificados pelo fabricante.
5. Desligue este aparelho quando houver trovoadas ou quando não seja usado por um longo período de tempo.
6. Um altifalante que funciona a bateria com baterias integrais ou um conjunto de baterias separado só pode ser recarregado com o carregador especificado para a bateria. Um carregador adequado para um tipo de bateria pode criar um risco de incêndio quando usado com outra bateria.
7. Utilize o altifalante operado por bateria apenas com os conjuntos de baterias especificamente designados. O uso de quaisquer outras baterias pode criar um risco de incêndio.
8. Quando o conjunto da bateria não se encontra a uso, mantenha-o afastado de outros objetos de metal como: clips de papel, moedas, chaves, pregos, parafusos, ou outros objectos pequenos de metal que possam fazer a ligação entre dois terminais. Colocar em curto-circuito os terminais da bateria pode causar faíscas, queimaduras ou um incêndio.
9. Evitar contacto do corpo com superfícies ligadas à terra como tubos, radiadores, fogões e frigoríficos. Há um risco acrescido de choque elétrico se o corpo estiver ligado à terra.
10. Em condições de mau uso, poderá ser ejetado líquido da bateria, evite o contacto. Se ocorrer um contacto acidental, lave abundantemente com água. Se o

líquido entrar em contacto com os olhos, procure também ajuda médica. O líquido ejetado da bateria pode causar irritação ou queimaduras.

11. A ficha do CABO PRINCIPAL é usada para desligar o aparelho e permanecerá pronta a operar.

GUARDE ESTAS INSTRUÇÕES

NORMAS DE SEGURANÇA ESPECÍFICAS

PARA O CARTUCHO DA BATERIA

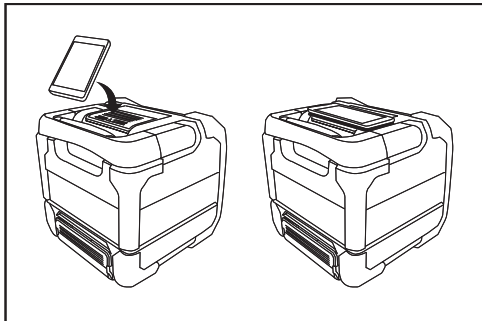
1. Antes de usar o cartucho da bateria, leia todas as instruções e marcas de advertência no (1) carregador da bateria, (2) bateria e (3) produto que usa a bateria.
2. Não desmonte o cartucho da bateria.
3. Se o período de funcionamento se tornar excessivamente curto, pare imediatamente o funcionamento. Pode provocar um risco de sobreaquecimento, possíveis queimaduras ou mesmo explosão.
4. Se o eletrólito entrar para os olhos, lave-os com água limpa e procure um médico imediatamente. Pode originar perda de visão.
5. Não faça curto circuito com a bateria:
 - (1) Não toque nos terminais com qualquer material condutor.
 - (2) Evite guardar o cartucho da bateria num recipiente com outros objetos de metal como pregos, moedas, etc.
 - (3) Não exponha o cartucho de bateria à água ou à chuva. Um curto circuito na bateria pode causar um grande fluxo de corrente, sobreaquecimento, possíveis queimaduras e mesmo avaria.
6. Não guarde a ferramenta e o cartucho da bateria em locais em que a temperatura possa chegar ou ultrapassar os 50 °C (122°F)
7. Não incinere o cartucho da bateria mesmo que se encontre muito danificado ou esteja completamente gasto. O cartucho da bateria pode explodir num incêndio.
8. Tenha cuidado para não deixar cair a bateria ou bater com a bateria.
9. Não use uma bateria danificada.

Conselhos para a manutenção prolongada da bateria

1. Carregue o cartucho da bateria antes de estar completamente descarregado. Pare sempre o funcionamento da ferramenta e carregue o cartucho da bateria quando notar uma menor potência da ferramenta.
2. Nunca recarregue um cartucho de bateria completamente carregado. O sobrecarregamento diminui a duração da bateria.
3. Carregue o cartucho da bateria à temperatura ambiente entre 10 °C e 40 °C (50 °F e 104 °F). Deixe que o cartucho da bateria quente arrefeça antes de o carregar.
4. Carregue o cartucho da bateria se não o usar por um longo período de tempo (mais de seis meses).

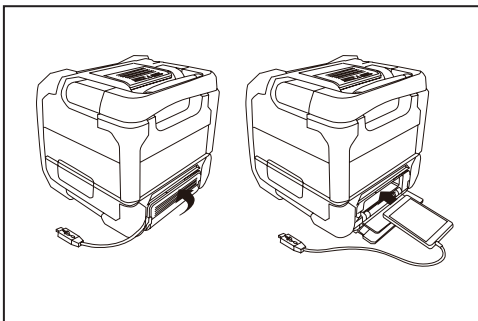
Explicação da vista geral (Fig. 1)

1. Compartimento fechado da bateria
2. Painel para colocação do telemóvel



3. Botão Tocar/Pausa
4. Botão da faixa seguinte/botão para avanço rápido
5. Botão para aumentar o volume
6. Botão para baixar o volume
7. Indicador Aux in
8. Indicador de Volume máx. ou mín. / Indicador de bateria fraca
9. Indicador de Bluetooth
10. Botão de emparelhamento do Bluetooth
11. Botão Ligar
12. Botão da faixa anterior/botão para Rebobinar
13. Altifalante
14. Pega
15. DC na tomada
16. Tomada de entrada auxiliar
17. Tomada de carregamento USB

18. Entrada do cabo
19. Compartimento para armazenamento do telemóvel



20. terminal de bateria 14,4 V/18V
21. terminal de bateria 10,8 V
22. Tapa da bateria
23. Cartucho da bateria
24. Botão
25. Tapa do compartimento para guardar o telemóvel

Energia

O altifalante pode ser alimentado por conjuntos de baterias Makita ou através de uma tomada de parede normal.

Alimentação por bateria

A tabela seguinte indica o tempo de funcionamento com um único carregamento.

Capacidade da Bateria	Voltagem do Cartucho da bateria			Na SAÍDA DO ALTIFALANTE = 100mW (unidade:Hora) (Aproximadamente)			
	10,8V	14,4V	18V	AUX IN	Bluetooth	AUX IN+ +USB(2,1A)	Bluetooth +USB(2,1A)
1,3Ah		BL1415	BL1815	7,5	7,0	1,0	
1,5Ah	BL1015			12	11	1,0	
		BL1415N		10	9,0	1,0	
2,0Ah			BL1815N	9,5	9,0	1,5	
	BL1020B			15	14	1,0	
3,0Ah			BL1820/ BL1820B	13	12	2,0	
		BL1430/ BL1430B		16	15	2,0	
4,0Ah			BL1830/ BL1830B	18	17	3,0	
	BL1040B			31	28	2,5	
		BL1440		26	24	3,0	
5,0Ah			BL1840/ BL1840B	25	24	4,0	
		BL1450		31	29	3,5	
6,0Ah			BL1850/ BL1850B	32	31	5,5	
		BL1460B		34	32	4,0	
		BL1860B		39	37	6,5	

Instalar ou remover o catucho deslizante da bateria (fig. 3 e 4)

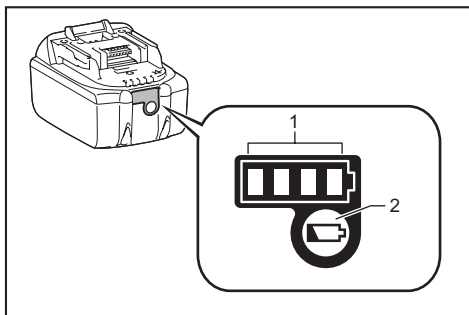
- Para instalar o cartucho da bateria, alinhar a ponta do carucho da bateria com a ranhura do cartucho da bateria no compartimento e colocá-la no sítio. Insira sempre a totalidade para que fique no lugar e faça um clique
- Se conseguir ver o indicador vermelho no lado superior do botão, não está completamente bloqueado. Instale-o completamente até deixar de ver o indicador vermelho. Se não, pode cair acidentalmente da ferramenta, causando-lhe ferimentos ou a qualquer pessoa perto de si.
- Não force quando inserir o cartucho da bateria. Se o cartucho não deslizar facilmente, não foi inserido corretamente.
- Para retirar o cartucho da bateria, faça-o deslizar da ferramenta ao mesmo tempo que pressiona o botão na parte da frente do cartucho.

Nota:

Quando o altifalante estiver com a bateria fraca, o LED do meio piscará a vermelho.

Indicando a capacidade restante da bateria

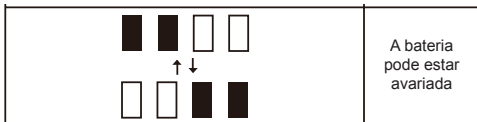
Apenas os cartuchos de bateria com um "B" no final do número do modelo



- 1. Lâmpadas do indicador 2. Botão de verificação

Pressione o botão de verificação do cartucho da bateria para indicar a capacidade remanescente da bateria. As lâmpadas indicadoras acendem durante uns segundos.

Lâmpadas indicadoras			Lâmpadas indicadoras
Aceso	Desligado	A Piscar	
■ ■ ■ ■			75% a 100%
■ ■ ■ □			50% a 75%
■ ■ □ □			25% a 50%
■ □ □ □			0% a 25%
▬ □ □ □			Carregue a bateria



NOTA: Dependendo das condições de utilização e da temperatura ambiente, a indicação pode diferir ligeiramente da capacidade efetiva.

Usar o adaptador de corrente AC fornecido (Fig. 5)

Retire o protetor de borracha e insira a ficha do adaptador na tomada DC no lado direito do altifalante. Ligue o adaptador numa tomada normal. Sempre que é usado o adaptador, o conjunto da bateria é automaticamente desligado. O adaptador AC deve ser desligado da corrente quando não estiver a ser utilizado.

IMPORTANTE:

O adaptador de corrente é usado como meio de ligação do altifalante à corrente. A tomada de corrente usada para o altifalante tem de estar acessível durante o uso normal. Para desligar completamente o altifalante da corrente, o adaptador de corrente deve ser retirado completamente da tomada de corrente.

Tomada de abastecimento de energia USB

Esta entrada pode ser usada para carregar um telemóvel ou qualquer outro dispositivo que use corrente de DC inferior a 2.1A. O carregamento só ocorre quando o altifalante está ligado.

Nota: Assegure-se que a especificação do seu dispositivo externo, telemóvel, mp3 player ou iPod, é compatível com o altifalante. Leia o manual de instruções do seu dispositivo externo antes de o carregar.


IMPORTANTE:

- Antes de ligar o dispositivo USB ao carregador, faça sempre uma cópia de segurança dos dados do dispositivo USB. Caso contrário poderá perder os seus dados.
- O carregador não carrega alguns dispositivos USB.
- Quando não estiver a usar ou depois de carregar, retire o cabo USB e feche a tampa.
- Não ligue uma fonte de energia a uma porta USB. Caso contrário pode haver risco de incêndio. A porta USB destina-se apenas a carregar dispositivos de voltagem mais baixa. Coloque sempre a tampa da porta USB quando não estiver a carregar dispositivos de voltagem mais baixa.
- Não insira pregos, fios, etc. na porta de abastecimento de energia USB. Caso contrário poderá ocorrer um curto circuito causando fumo e incêndio.
- Não ligue esta tomada USB à porta USB do PC, pois há uma forte possibilidade de poder causar a avaria das unidades.

Emparelhamento e ligação de um dispositivo ao altifalante

Precisa de emparelhar o seu dispositivo com Bluetooth ao seu DMR200 antes de poder fazer a autoligação para tocar/stream a música do Bluetooth através do seu altifalante com Bluetooth. O emparelhamento cria uma "ligação" para que os dois dispositivos se possam reconhecer um ao outro.

Emparelhar e usar o seu dispositivo Bluetooth pela primeira vez

1. Prima o botão Ligar  para ligar o altifalante e o indicador do Bluetooth pisca a azul. O indicador pisca rapidamente uma luz azul indicando que o altifalante está descoberto.
2. Ative o Bluetooth no seu dispositivo de acordo com o manual do utilizador do dispositivo para fazer a ligação ao altifalante. Localize a lista de dispositivos Bluetooth e seleccione o dispositivo designado 'DMR200'. Com alguns telemóveis (que estão equipados com versões anteriores ao dispositivo Bluetooth BT2.1), pode necessitar de introduzir a palavra-passe "0000".
3. Depois de ligado, ouvirá um som de besouro e o indicador Bluetooth permanecerá azul. Pode simplesmente seleccionar e tocar qualquer música do seu dispositivo original. O controlo de volume pode ser ajustado a partir do seu dispositivo de origem ou diretamente no altifalante.
4. Use os controlos do seu dispositivo com Bluetooth ou do altifalante para tocar/pausar e procurar faixas.





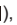





































Nota:

1. Se 2 dispositivos Bluetooth, forem emparelhados pela primeira vez, ambos procuram o seu DMR200, mostrando a sua disponibilidade em ambos os dispositivos. Porém, se um dispositivo se ligar a esta unidade primeiro, o outro dispositivo de Bluetooth não o encontrará na lista.
2. Se o dispositivo Bluetooth estiver temporariamente desligado do altifalante, então necessita de religar manualmente o seu dispositivo de novo ao altifalante. Se aparecer "DMR200" na sua lista de dispositivos
3. Bluetooth mas o seu dispositivo não puder ligar-se ao mesmo, apague o item da sua lista e emparelhe, de novo, o dispositivo com o altifalante seguindo os passos descritos previamente.
4. O raio de funcionamento real entre o sistema e o dispositivo emparelhado é de aproximadamente 10 metros (30 pés). Qualquer obstáculo entre o sistema e o dispositivo pode reduzir o raio operacional.
5. O desempenho da conectividade do Bluetooth pode variar dependendo dos dispositivos Bluetooth ligados. Consulte as capacidades de Bluetooth do seu dispositivo antes de o ligar ao altifalante. Nem todas as funcionalidades são suportadas nalguns dispositivos Bluetooth emparelhados.

Tocar ficheiros áudio em Modo Bluetooth

Depois de ter ligado com sucesso o seu altifalante ao dispositivo Bluetooth escolhido pode começar a

tocar a sua música usando os controlos do dispositivo Bluetooth ligado.

1. Depois de começar a tocar ajuste o volume de acordo com o desejado, usando os botões de volume   do seu altifalante, ou os do dispositivo com capacidade Bluetooth. Quando pressiona o botão de Volume para cima/para baixo, o indicador de volume pisca rapidamente em vermelho. Se a luz do indicador ficar fixa em vermelho, indica que o volume está no volume máximo ou no volume mínimo. Use os controlos do seu dispositivo para tocar/pausar e procurar faixas. Em alternativa, controle a reprodução usando os Botões Play/Pausa () ) ) ) ) ) ) ) )  ). Faixa Seguinte () ) ) ) ) ) ) )  ). Faixa Anterior () ) ) ) ) ) )  ). Prima e mantenha premido o botão de Faixa seguinte () ) ) ) ) ) ) )  ). Faixa Anterior para avançar rapidamente /Rebobinar a faixa atual. Solte o botão quando chegar ao ponto desejado da faixa.


Nota:

1. Nem todas as aplicações do aparelho ou dispositivo respondem a estes controlos.
2. Alguns telemóveis podem ficar temporariamente desligados do altifalante quando faz ou recebe chamadas. Alguns dispositivos podem silenciar temporariamente o streaming áudio do Bluetooth quando recebem mensagens de texto, emails, ou por outras razões não relacionadas com o streaming áudio. Esse comportamento é uma função do dispositivo ligado e não indica uma avaria no seu altifalante.

Memória do altifalante e reconhecimento de um dispositivo

O seu altifalante pode memorizar até 8 conjuntos de dispositivos emparelhados, quando a memória excede este valor, o histórico do emparelhamento mais antigo será substituído. Se o seu dispositivo Bluetooth já tiver sido emparelhado anteriormente com o altifalante, a unidade memorizará o seu dispositivo Bluetooth e este tenta restabelecer a ligação com um dispositivo na memória que tenha sido ligado da última vez. Se o último dispositivo ligado não estiver disponível, o altifalante fica disponível.

Desligar o Dispositivo Bluetooth

Prima e mantenha premido o botão  de emparelhamento Bluetooth durante 2 a 3 segundos para o desligar do seu dispositivo Bluetooth. O indicador do Bluetooth pisca a azul indicando que o altifalante está de novo disponível para emparelhamento.

Tocar música através da tomada de entrada auxiliar

É fornecida uma tomada de entrada auxiliar de 3,5mm, do lado direito da unidade, para permitir a alimentação de um sinal áudio na unidade a partir de quaisquer dispositivos que tenham auscultadores ou saída de áudio, como um iPod, MP3 ou reproduzidor de CDs.

1. Ligue a uma fonte áudio estéreo ou mono (por exemplo, iPod, MP3 ou reproduzidor de CDs) à tomada

de entrada Auxiliar(marcada 'AUX') e o indicador Aux in fica verde indicando que o altifalante está em modo de saída auxiliar.

2. Ajuste o controlo do Volume no seu iPod, MP3 ou reprodutor de CDs para assegurar um sinal adequado e ajuste depois o volume no altifalante para obter um nível de som confortável.

Nota:

Quando a tomada Aux in é ligada a um dispositivo áudio, a função Bluetooth fica desativada para minimizar o consumo de energia.

MANUTENÇÃO

⚠ ATENÇÃO:

- Nunca use gasolina, benzina, diluente, álcool ou similares. Podem originar descoloração, deformação ou rachas.

Especificações

Amplificador

Energia de Saída	18V:10W 14,4V:6W 10,8V:3,5W
Resposta de Frequência	50Hz~20kHz

Aux In

Sensibilidade de entrada	250mVrms @100Hz
--------------------------	-----------------

Altifalante

Altifalante Principal	101,6mm 8 ohm 10W
Atifalante tweeter	36mm 8ohm 10W

Bluetooth

Versão Bluetooth	4.0
Perfis de Bluetooth	A2DP/ SCMS-T/ AVRCP
Energia de Transmissão	Especificação de energia Bluetooth Classe 2
Raio de Transmissão	Máx. 10m (varia de acordo com as condições de uso)
Codec suportado	SBC
Perfil Bluetooth compatível	A2DP

Geral

Adaptador de energia AC	DC in 12V 1.5A, pino central positivo
Bateria deslizante da Bateria	10,8V/14,4 V/ 18 V
Peso	2,7KG (sem bateria)

A empresa reserva-se o direito de alterar as especificações sem aviso prévio.

DANSK (Originalvejledning)

Symboler

I det efterfølgende vises de symboler, der anvendes for udstyret. Sørg for at du forstår deres betydning før brug.



Læs brugsanvisningen.



Kun for EU-lande

Elektrisk udstyr eller batteripakke må ikke bortskaffes sammen med almindeligt affald! I henhold til det europæiske direktiv om bortskaffelse af elektriske og elektroniske produkter og om batterier og akkumulatore og bortskaffelse af batterier og akkumulatore og deres implementering under gældende national lovgivning skal brugt elektrisk udstyr, batterier og batteripakke(r), der har udtjent deres levetid, indsamles separat og returneres til miljøgodkendt genindvinding.

VIGTIGE SIKKERHED SANVISNINGER VEJLEDNING

⚠ ADVARSEL:

Ved brug af elektrisk værktøj bør grundlæggende sikkerhedsforanstaltninger altid følges for at reducere risikoen for brand, elektrisk stød og personskade, herunder følgende:

1. Læs omhyggeligt denne brugsanvisning og opladerens brugsanvisning før brug.
2. Må kun rengøres med en tør klud.
3. Må ikke installeres i nærheden af varmekilder såsom radiatorer, varmeapparater, ovne eller andre apparater (herunder forstærkere) der producerer varme.
4. Brug kun tilbehør/ekstraudstyr, som er godkendt af fabrikanten.
5. Tag dette apparats stik ud, hvis der opstår tordenvejr eller når det ikke skal benyttes i længere tid.
6. En eventuelt batteridrevet højtaler med integrerede batterier eller en separat batteripakke må udelukkende oplades med den oplader der er specificeret til batteriet. En oplader, der er egnet til én type batterier, kan skabe risiko for brand, hvis den anvendes sammen med en anden type batterier.
7. Brug kun de specificerede batteripakker sammen med batteridrevne højtalere. Brug af andre batterier kan medføre risiko for brand.
8. Når batteripakken ikke er i brug, skal man holde den borte fra andre metalgenstande som f.eks. papirclips, mønter, nøgler, søm, skruer eller andre små metalgenstande, der skabe forbindelse fra den ene terminal til den anden. Kortslutning mellem batteripolerne kan forårsage gnister, forbrændinger eller brand.
9. Undgå kontakt med jordforbundne overflader såsom rør, radiatorer, komfurer og køleskabe. Der er øget risiko for elektrisk stød, hvis din krop er jordforbundet.
10. Hvis det anvendes forkert, kan der slippe væske ud af batteriet; undgå kontakt. Hvis det alligevel skulle ske, skal man skylle med vand. Hvis væsken kommer i kontakt med øjnene, skal man desuden søge lægehjælp. Væske der trænger ud af batteriet, kan

forårsage irritation eller forbrændinger.

11. NETSTIKKET bruges som afbryder, og det skal derfor være let og hurtigt tilgængeligt.

OPBEVAR DISSE INSTRUKTIONER

SÆRLIGE SIKKERHEDSREGLER

VEDR. BATTERIPAKKE

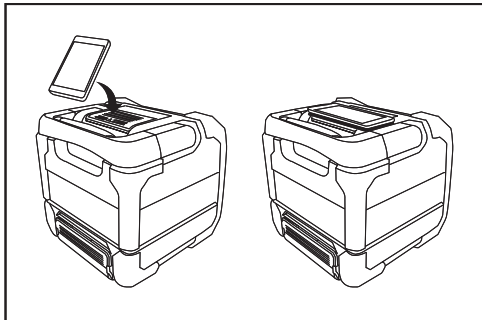
1. Før du bruger batteripakken, skal du læse alle instruktioner og advarselmarkeringer på (1) batterioplader, (2) batteri og (3) produktet, som batteri skal bruges i.
2. Adskil ikke batteripakken.
3. Hvis driftstiden er blevet væsentligt kortere, skal man standse driften med det samme. Det kan medføre risiko for overophedning, forbrændinger og endda eksplosion.
4. Hvis du får elektrolyt i øjnene, skal du skylle dem med rent vand og søge læge med det samme. Det kan resultere i tab af synet.
5. Man må ikke kortslutte batteripakken:
 - (1) Berør ikke terminalerne med nogen som helst elektrisk ledende materialer.
 - (2) Undgå at opbevare batteripakken i en beholder, som indeholder andre metalgenstande såsom søm, mønter, osv.
 - (3) Udsæt ikke batteripakken for vand eller regn. En eventuel kortslutning af batteriet kan medføre at der opstår en stor strømstyrke, overophedning, mulige forbrændinger og endog sammenbrud.
6. Opbevar ikke værktøjet og batteripakken på steder, hvor temperaturen kan nå eller overstige 50 °C (122 °F)
7. Man må ikke brænde batteripakken, selv om den er alvorligt beskadiget eller helt slidt op. Batteripakken kan eksplodere, hvis den udsættes for ild.
8. Pas på ikke at tabe batteri eller udsætte det for stød.
9. Brug ikke et beskadiget batteri.

Tips til at opretholde maksimal batterilevetid

1. Oplad batteripakken igen inden den er helt afladet. Hold op med at bruge værktøjet og oplad batteripakken, når du bemærker at værktøjets styrke mindskes.
2. Oplad aldrig en batteripakke, som allerede er fuldt opladet. Overopladning forkorter batteriets levetid.
3. Oplad batteripakken i omgivelser, der har en temperatur på 10 °C - 40 °C (50 °F - 104 °F). Lad en varm batteripakke køle ned, før den oplades.
4. Oplad batteripakken, hvis du ikke bruger den i en længere periode (mere end seks måneder).

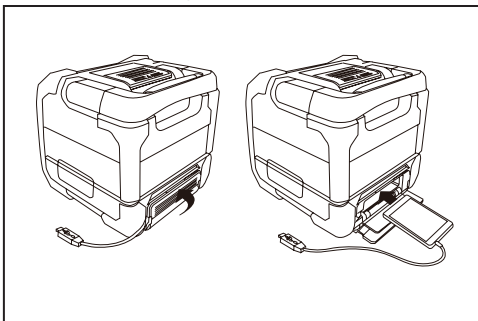
Forklaring af generel oversigt (Fig. 1)

1. Batterirum
2. Panel til montering af mobil enhed (mobiltelefon)



3. Afspilning/pause
4. Næste nummer/spol frem
5. Lydstyrke op
6. Lydstyrke ned
7. Indikator ekstern indgang
8. Indikator lydstyrke maks. eller min. / indikator for lavt batteri
9. Bluetooth-indikator
10. Bluetooth-parring
11. Tænd/sluk
12. Forrige nummer/spol tilbage
13. Højttaler
14. Håndtag
15. Stik til jævnstrømsindgang
16. Stik til ekstern signalkilde

17. Stik til USB-opladning
18. Kabel-hul
19. Rum til opbevaring af mobil enhed (mobiltelefon)



20. 14,4 V/18V batteriterminal
21. 10,8 V batteriterminal
22. Batteridæksel
23. Batteripakke
24. Knap
25. Dæksel til mobil-opbevaringsrum

Strømforsyning

Højttaleren kan forsynes med strøm fra Makita-batterier eller en almindelig stikkontakt.

Batteriforsyning

Nedenstående tabel viser hvor lang tid enheden kan fungere på en enkelt opladning.

Batteri kapacitet	Batteripakke spænding			NÅR HØJTALERE BENYTTES = 100 mW(enhed: time) (anslået)			
	10,8V	14,4V	18V	AUX IN	Bluetooth	AUX IN+ +USB(2,1A)	Bluetooth +USB(2,1A)
1,3Ah		BL1415	BL1815	7,5	7,0	1,0	
1,5Ah	BL1015			12	11	1,0	
		BL1415N		10	9,0	1,0	
2,0Ah			BL1815N	9,5	9,0	1,5	
	BL1020B			15	14	1,0	
3,0Ah			BL1820/ BL1820B	13	12	2,0	
		BL1430/ BL1430B		16	15	2,0	
4,0Ah			BL1830/ BL1830B	18	17	3,0	
	BL1040B			31	28	2,5	
5,0Ah		BL1440		26	24	3,0	
			BL1840/ BL1840B	25	24	4,0	
6,0Ah		BL1450		31	29	3,5	
			BL1850/ BL1850B	32	31	5,5	
6,0Ah		BL1460B		34	32	4,0	
			BL1860B	39	37	6,5	

Installation eller fjernelse af batteripakke (fig. 3 og 4)

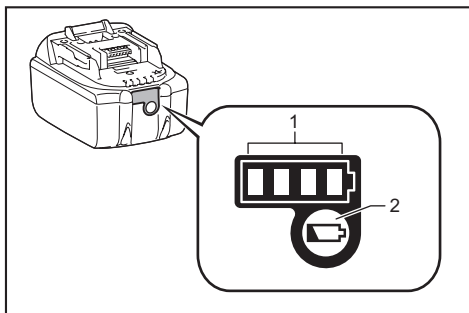
- For at installere batteripakken, skal man placere tungen på batteripakken ud for rillen i huset og skyde den på plads. Sæt den altid hele vejen i, indtil den låses på plads med et lille klik.
- Hvis du kan se den røde indikator på oversiden af knappen, er den ikke fuldstændigt låst. Sæt den helt i, så den røde indikator ikke kan ses. Hvis man ikke gør det, kan den ved et uheld falde ud af værktøjet og forårsage skade på dig eller nogen omkring dig.
- Brug ikke overdreven kraft, når du sætter batteripakken i. Hvis patronen ikke let kan skubbes ind, er den ikke sat korrekt i.
- For at fjerne batteripakken, skal man skyde den ud af værktøjet, mens man trykker på knappen på forsiden af pakken.

Bemærk:

Når højttalerens batteriniveau er lavt, blinker den midterste lysdiode rødt.

Angiver den resterende batterikapacitet

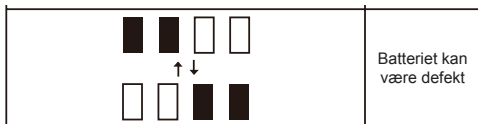
Gælder kun batteripakker med "B" i slutningen af modelnummeret



- 1. Indikatorlamper 2. Kontrolknap

Tryk på knappen til kontrol af batteripatronen for at se den resterende batterikapacitet. Indikatorlamperne lyser i nogle få sekunder.

Indikatorlamper			Resterende kapacitet
Tændt	Slukket	Blinker	
■ ■ ■ ■			75% til 100%
■ ■ ■ □			50% til 75%
■ ■ □ □			25% til 50%
■ □ □ □			0% til 25%
■ □ □ □		■	Lad batteriet op



BEMÆRK: Afhængigt af betingelserne for anvendelse og den omgivende temperatur, kan indikationen dog afvige lidt fra den faktiske kapacitet.

Brug af den medfølgende lysnetadapter (fig. 5)

Fjern gummi-beskytteren og indsæt adapterens stik i jævnstrømsstikket på højre side af højttaleren. Sæt adapteren i en standardstikkontakt. Når adapteren anvendes, afbrydes forbindelsen til batteriet automatisk. Vekselsstrømsadapteren bør tages ud af stikkontakten, når den ikke er i brug.

VIGTIGT:

Strømforsyningen bruges til at forbinde højttaleren til elnettet. Den stikkontakt der bruges til højttaleren, skal forblive lettilgængelig under normal brug. For helt at afbryde højttalerens forbindelse til elnettet, skal netadapterens stik tages ud af stikkontakten.

USB-strømforsyningsstik

Dette stik kan bruges til at oplade en mobiltelefon eller andre enhed, der bruger mindre end 2.1A jævnstrøm. Opladningen vil kun finde sted, når højttaleren er tændt.

Bemærk: Sørg for at specifikationerne for din eksterne enhed såsom mobiltelefon, mp3-afspiller eller iPod er kompatible med højttaleren. Læs betjeningsvejledningen til din eksterne enhed før opladning.


VIGTIGT:

- Før en USB-enhed sluttes til opladeren, skal der altid tages sikkerhedskopi af alle data på USB-enheden. Ellers kan dine data gå tabt af forskellige årsager.
- Opladeren kan ikke levere strøm til visse USB-enheder.
- Når stikket ikke bruges eller efter opladning, skal man fjerne USB-kablet og lukke dækslet.
- Strømkilder må ikke sluttes til USB-portene. Ellers er der risiko for brand. USB-porten er kun beregnet til opladning af lavspændingsenheder. Anbring altid dækslet på USB-porten, når den ikke benyttes til at oplade lavspændingsenheden.
- Stik ikke søm, ståltråd o.lign. i USB-strømforsyningsporten. Ellers kan en kortslutning forårsage røg og brand.
- Slut ikke dette USB-stik til din pc's USB-port, da det er meget muligt, at det kan forårsage at enhederne bryder sammen.

Parring og tilslutning af en enhed til højttaleren

En eventuel Bluetooth-enhed skal parres med DMR200-højttaleren, før du kan oprette automatisk forbindelse og afspille/streame Bluetooth-musik via Bluetooth-højttaleren. I forbindelse med parring sker der en pardannelse, så de to enheder kan genkende hinanden.

Parring og afspilning med din Bluetooth-enhed for første gang


1. Tryk på afbryderknappen  for at tænde for højttaleren, hvorefter Bluetooth-indikatoren blinker blåt. Indikatoren blinker hurtigt blåt, hvilket angiver at højttaleren er synlig for andre Bluetooth-enheder.
2. Aktivér Bluetooth på enheden i henhold til enhedens brugermanual for at oprette forbindelse til højttaleren. Find Bluetooth-enhedslisten og vælg enheden med navnet 'DMR200'. Med nogle mobiler (som er udstyret med versioner, der er tidligere end BT2.1 Bluetooth-enhed), skal du muligvis indtaste koden "0000".
3. Når forbindelsen er oprettet, vil der lyde et bip, og Bluetooth-indikatoren lyser konstant blåt. Du skal nu blot vælge og afspille musik fra din kildeenhed. Lydstyrken kan justeres fra kildeenheden eller direkte på højttaleren.
4. Brug knapperne på din Bluetooth-aktiverede enhed eller på højttaleren til at afspille/pause og navigere mellem numre.

Bemærk:





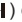
1. Hvis der er tale om 2 Bluetooth-enheder, som skal parres for første gang, kan du søge efter DMR200 på dem begge, den vil være tilgængelig på begge enheder. Men hvis den ene enhed opretter forbindelse med denne enhed først, vil den ikke være at finde den på listen på den anden Bluetooth-enhed.
2. Hvis din Bluetooth-enheds forbindelse til på højttaler midlertidigt afbrydes, skal du genoprette enhedens forbindelse til højttaleren manuelt.
3. Hvis 'DMR200' vises i din Bluetooth-enheds liste, men enheden ikke kan oprette forbindelse til den, skal du slette elementet fra listen og parre enheden med højttaleren igen ved at følge de trin, som er beskrevet ovenfor.
4. Den maksimale rækkevidde mellem systemet og den parrede enhed er cirka 10 meter (30 fod). Enhver forhindring mellem systemet og enheden kan reducere den brugbare rækkevidde.
5. Bluetooth-forbindelsens ydelse kan variere afhængigt af de tilsluttede Bluetooth-enheder. Undersøg enhedens Bluetooth-funktionalitet, inden du slutter den til på højttaler. Det er måske ikke alle funktioner der understøttes på visse parrede Bluetooth-enheder.

Afspilning af lydfiler i Bluetooth-tilstand

Når du har oprettet forbindelse mellem højttaleren og den valgte Bluetooth-enhed, kan du begynde at afspille din musik ved hjælp af knapperne på din tilsluttede Bluetooth-enhed.

1. Når afspilning er begyndt, kan man justere lydstyrken til det ønskede niveau med lydstyrke-knapperne .

på højttaleren eller på den aktiverede Bluetooth-enhed. Når du trykker på knappen lydstyrke op/ ned vil indikatoren for lydstyrke blinke hurtigt rødt. Hvis kontrollampen konstant lyser rødt, angiver det at lydstyrken er indstillet til maksimalt eller minimalt niveau.

2. Brug knapperne på din enhed til at afspille/pause og navigere mellem numre. Man kan alternativt styre afspilningen ved hjælp af knapperne Afspil/Pause () , Næste nummer () eller Forrige nummer () på højttaleren. Tryk på knappen Næste nummer () eller ()
3. Forrige og hold den inde for at spole hurtigt frem/ tilbage i det aktuelle nummer. Slip knappen, når det ønskede punkt i nummeret er nået.


Bemærk:

1. Det er ikke alle afspilnings-apps eller -enheder der reagerer på disse kontroller.
2. Nogle mobiltelefoner afbryder midlertidigt forbindelsen til på højttaler, når du foretager eller modtager opkald. Nogle enheder dæmper midlertidigt deres Bluetooth-lydafspilning, når de modtager SMS-beskeder, e-mails eller af andre grunde, som ikke er relateret til lyd streaming. Sådanne effekter stammer fra den tilsluttede enhed, og indikerer ikke at der er noget i vejen med på højttaler.

Højttaler-hukommelse og genoprettelse af forbindelse til en enhed

På højttaler kan huske op til 8 sæt af parrede enheder. Når antallet overstige dette, vil den først parrede enhed blive slettet fra hukommelsen. Hvis din Bluetooth-enhed allerede er blevet parret med højttaleren tidligere, vil enheden huske din Bluetooth-enhed, og den vil forsøge at genoprette forbindelsen med en enhed i hukommelsen, som tidligere er blevet tilsluttet. Hvis den senest tilsluttede enhed ikke er tilgængelig, vil højttaleren være synlig for andre Bluetooth-enheder.

Afbrydelse af forbindelsen til din Bluetooth-enhed

Tryk på knappen  til Bluetooth-parring og hold den inde i 2-3 sekunder for at afbryde forbindelsen til din Bluetooth-enhed. Bluetooth-indikatoren blinker blåt, hvilket angiver at højttaleren er synlig igen og klar til parring.

Afspilning af musik via stik til eksterne signalkilde

En 3,5 mm stik til ekstern signalkilde er placeret på højre side af enheden, så man kan afspille et lydssignal på enheden fra alle enheder, der har et hovedtelefonstik eller anden lydudgang, såsom en iPod, MP3 eller CD-afspiller.

1. Tilslut en stereo- eller mono-lydkilde (f.eks iPod, MP3- eller CD-afspiller) til det eksterne signalkildestik (mærket 'AUX') og indikatoren 'Aux in' bliver grøn, hvilket indikerer at højttaleren afspiller signalet fra det eksterne signalkildestik.
2. Juster lydstyrkekontrollen på din iPod, MP3 eller CD-afspiller for at sikre et passende signal, og juster

derefter lydstyrken på højttaleren, så den er behagelig at lytte til.

Bemærk:

Når Aux in-stikket er sluttet til en lydenhed, vil Bluetooth-funktionen blive deaktiveret for at minimere strømforbruget.

VEDLIGEHOELSE

⚠ FORSIGTIG:

- Brug aldrig benzin, rensbenzin, fortynder, alkohol eller lignende. Det kan medføre misfarvning, deformation eller revner.

Specifikation

Forstærker

Udgangseffekt	18V:10W 14,4V:6W 10,8V:3.5W
Frekvensområde	50Hz~20kHz

Aux In

Indgangsfølsomhed	250mVrms @100Hz
-------------------	-----------------

Højttaler

Hovedhøjttaler	101,6 mm 8 ohm 10W
Diskanthøjttaler	36mm 8ohm 10W

Bluetooth

Bluetooth version	4.0
Bluetooth-profiler	A2DP/ SCMS-T/ AVRCP
Sendeeffekt	Bluetooth specifikation effektklasse 2
Transmissionsrækkevidde	Maks. 10m (varierer alt efter brugsforholdene)
Understøttet codec	SBC
Kompatibel Bluetooth-profil	A2DP

Generelt

Vekselstrømsadapter	Jævnstrøm 12V 1.5A, stikkets midte er positiv
Batteri	10,8 V/14,4 V/18 V
Vægt	2,7KG (uden batteri)

Firmaet forbeholder sig ret til at ændre specifikationerne uden varsel.

ΕΛΛΗΝΙΚΑ (Πρωτότυπες οδηγίες)

Σύμβολα

Παρακάτω αναφέρονται σύμβολα που χρησιμοποιούνται για τον εξοπλισμό. Βεβαιωθείτε ότι κατανοείτε τη σημασία τους πριν από τη χρήση.



Διαβάστε το εγχειρίδιο οδηγιών.

Μόνο για τις χώρες της ΕΕ
Μην απορρίπτετε τον ηλεκτρικό εξοπλισμό ή την μπαταρία μαζί με τα οικιακά απορρίμματα!



Σύμφωνα με την Ευρωπαϊκή Οδηγία περί απορριμμάτων ηλεκτρικών, ηλεκτρονικών συσκευών, μπαταριών και συσσωρευτών και των απορριμμάτων μπαταριών και συσσωρευτών και την ενσωμάτωσή τους στην εθνική νομοθεσία, οι ηλεκτρικές συσκευές, οι μπαταρίες και οι κασέτες μπαταριών, των οποίων έχει παρέλθει ο χρόνος ωφέλιμης ζωής τους, πρέπει να συλλέγονται ξεχωριστά και να επιστρέφονται σε εγκαταστάσεις περιβαλλοντικής ανακύκλωσης.

ΣΗΜΑΝΤΙΚΕΣ ΟΔΗΓΙΕΣ ΑΣΦΑΛΕΙΑΣ

⚠ ΠΡΕΙΔΟΠΟΙΗΣΗ:

Κατά τη χρήση ηλεκτρικών εργαλείων, πρέπει πάντοτε να ακολουθούνται τα βασικά μέτρα ασφαλείας για τη μείωση του κινδύνου πυρκαγιάς, ηλεκτροπληξίας και τραυματισμού, συμπεριλαμβανομένων των παρακάτω:

1. Διαβάστε αυτό το εγχειρίδιο οδηγιών και τις οδηγίες χρήσης του φορητού προσεκτικά πριν από τη χρήση.
2. Καθαρίστε μόνο με στεγνό πανί.
3. Μην τοποθετείτε τη συσκευή κοντά σε πηγές θερμότητας, όπως καλοριφέρ, θερμοσυσσωρευτές, σόμπες ή λοιπές συσκευές (ακόμη και ενισχυτές) που παράγουν θερμότητα.
4. Χρησιμοποιείτε μόνο εξαρτήματα/παρελκόμενα που καθορίζονται από τον κατασκευαστή.
5. Αποσυνδέστε τη συσκευή κατά τη διάρκεια καταιγίδων ή όταν δεν χρησιμοποιείται για μεγάλο χρονικό διάστημα. Αποσυνδέστε τη συσκευή κατά τη διάρκεια καταιγίδων ή όταν δεν χρησιμοποιείται για μεγάλο χρονικό διάστημα.
6. Ένα ηχείο που λειτουργεί με ενσωματωμένες μπαταρίες ή μια χωριστή μπαταρία πρέπει να φορτίζεται μόνο με το συγκεκριμένο φορητό για την μπαταρία. Ένας φορητός που μπορεί να είναι κατάλληλος για έναν τύπο μπαταρίας μπορεί να δημιουργήσει κίνδυνο πυρκαγιάς όταν χρησιμοποιείται με άλλο τύπο μπαταρίας.
7. Χρησιμοποιήστε το ηχείο μόνο με τις ειδικά καθορισμένες μπαταρίες. Η χρήση οποιωνδήποτε άλλων μπαταριών μπορεί να δημιουργήσει κίνδυνο πυρκαγιάς.
8. Όταν η μπαταρία δεν είναι σε χρήση, κρατήστε τη μακριά από άλλα μεταλλικά αντικείμενα, όπως: συνδετήρες, κέρματα, κλειδιά, καρφιά, βίδες ή άλλα μικρά μεταλλικά αντικείμενα που μπορεί να δημιουργήσουν μια σύνδεση από τον ένα ακροδέκτη στον άλλο. Το βραχυκύκλωμα των πόλων της μπαταρίας μπορεί να προκαλέσει σπινθήρες, εγκαύματα ή πυρκαγιά.
9. Αποφύγετε τη σωματική επαφή με γειωμένες επιφάνειες, όπως σωλήνες, καλοριφέρ, κουζίνες και ψυγεία. Υπάρχει αυξημένος κίνδυνος ηλεκτροπληξίας όταν το σώμα σας είναι γειωμένο.

10. Υπό καταχρηστικές συνθήκες, ενδέχεται να εκτοξευτεί υγρό από την μπαταρία. Αποφύγετε την επαφή. Εάν έρθετε τυχαία σε επαφή, ξεπλύνετε με νερό. Σε περίπτωση επαφής υγρών με τα μάτια, ζητήστε ιατρική βοήθεια. Το υγρό μπαταρίας μπορεί να προκαλέσει ερεθισμό ή εγκαύματα.
11. Το βύσμα κεντρικής τροφοδοσίας χρησιμοποιείται ως συσκευή αποσύνδεσης, και θα παραμείνει λειτουργική.

ΦΥΛΑΞΤΕ ΑΥΤΕΣ ΤΙΣ ΟΔΗΓΙΕΣ

ΕΙΔΙΚΟΙ ΚΑΝΟΝΕΣ ΑΣΦΑΛΕΙΑΣ

ΓΙΑ ΤΗΝ ΜΠΑΤΑΡΙΑ

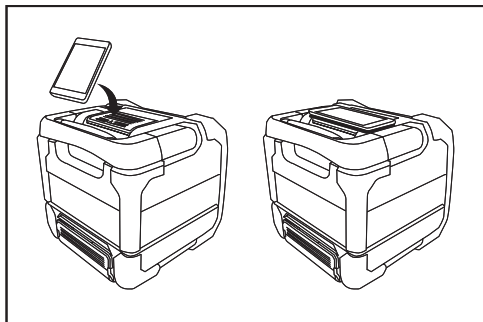
1. Πριν χρησιμοποιήσετε την μπαταρία, διαβάστε όλες τις οδηγίες και τις ενδείξεις προφύλαξης (1) στο φορητό μπαταρίας, (2) τη μπαταρία, και (3) στο προϊόν που χρησιμοποιεί την μπαταρία.
2. Μην αποσυρμολογείτε την μπαταρία.
3. Αν ο χρόνος λειτουργίας έχει γίνει υπερβολικά σύντομος, διακόψτε αμέσως τη λειτουργία. Καθώς αυτό μπορεί να οδηγήσει σε κίνδυνο υπερθέρμανσης, πιθανά εγκαύματα και ακόμη και μια έκρηξη.
4. Σε περίπτωση επαφής ηλεκτρολύτη με τα μάτια σας, ξεπλύνετε τα με καθαρό νερό και ζητήστε αμέσως ιατρική βοήθεια. Η επαφή ηλεκτρολύτη με τα μάτια μπορεί να οδηγήσει σε απώλεια όρασης.
5. Μην βραχυκυκλώνετε την μπαταρία:
 - (1) Μην αγγίζετε τους ακροδέκτες με αγωγίμα υλικά.
 - (2) Μην αποθηκεύετε την μπαταρία σε κιβώτιο με άλλα μεταλλικά αντικείμενα, όπως καρφιά, νομίσματα, κλπ.
 - (3) Μην εκθέτετε την μπαταρία σε νερό ή βροχή. Ένα βραχυκύκλωμα μπαταρίας μπορεί να προκαλέσει μεγάλη ροή ρεύματος, υπερθέρμανση, πιθανά εγκαύματα ή ακόμη και βλάβη.
6. Μην αποθηκεύετε το εργαλείο και την μπαταρία σε μέρη όπου η θερμοκρασία μπορεί να φτάσει ή να ξεπεράσει τους 50°C (122°F).
7. Μην καίτε την μπαταρία, ακόμη και εάν έχει σοβαρή ζημιά ή είναι εντελώς αποφορτισμένη. Η μπαταρία μπορεί να εκραγεί σεφωτιά.
8. Προσέχετε να μην ρίχνετε ή χιηπάτε τη μπαταρία.
9. Μην χρησιμοποιείτε μια μπαταρία που έχει υποστεί ζημιά.

Συμβουλές για τη διατήρηση της μέγιστης ζωής της μπαταρίας

1. Φορτίστε την μπαταρία πριν αποφορτιστεί εντελώς. Πάντοτε να διακόπτετε τη λειτουργία του εργαλείου και να φορτίζετε την μπαταρία όταν παρατηρείται μειωμένη ισχύ του εργαλείου.
2. Ποτέ μην επαναφορτίσετε μια πλήρως φορτισμένη μπαταρία. Η υπερφόρτιση μειώνει τη διάρκεια ζωής της μπαταρίας.
3. Φορτίστε την μπαταρία σε θερμοκρασία περιβάλλοντος 10°C - 40°C (50°F - 104°F). Αν η μπαταρία είναι ζεστή αφήστε τη να κρυώσει πριν τη φορτίσετε.
4. Φορτίστε την μπαταρία εάν δεν τη χρησιμοποιήσετε για μεγάλο χρονικό διάστημα (περισσότερο από έξι μήνες).

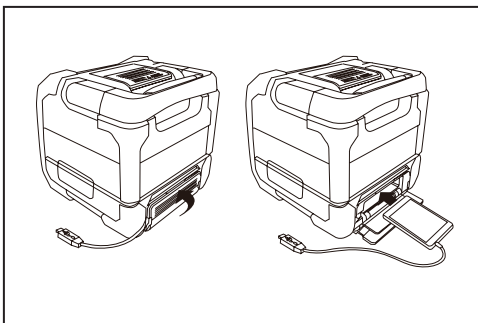
Επεξήγηση της γενικής όψης (Εικ. 1)

1. Θυρίδαθήκης μπαταριών
2. Θυρίδα τοποθέτησης κινητούτηλεφώνου



3. Κουμπί αναπαραγωγής/παύσης
4. Κουμπί επόμενου κομματιού/κουμπί γρήγορης προώθησης
5. Κουμπί αύξησηςέντασης
6. Κουμπί μείωσηςέντασης
7. ΔείκτηςεισόδουΒοηθητικής υποδοχής
8. Ένδειξη έντασης ήχου/Ένδειξη χαμηλής μπαταρίας ΈνδειξηBluetooth
9. Κουμπί σύζευξης Bluetooth
10. Κουμπί ισχύος
11. Κουμπί προηγούμενου κομματιού/Κουμπί επαναφοράς
12. Ηχείο
13. Λαβή
14. Υποδοχήσυνεχούςρεύματος
15. Βοηθητική υποδοχήεισόδου

17. Υποδοχήφόρτισης USB
18. Τρύπα καλωδίου
19. Χώρος αποθήκευσηςκινητούτηλεφώνου



20. Ακροδέκτης μπαταρίας 14,4V/18V
21. Ακροδέκτης μπαταρίας10,8V
22. Κάλυμμα μπαταρίας
23. Κασέτα μπαταρίας
24. Κουμπί
25. Κάλυμμα χώρου αποθήκευσης κινητού τηλεφώνου

Ισχύς

Το ηχείο μπορεί να τροφοδοτείται από κασέτες μπαταριών Makita ή μια κοινή πρίζα.

Ισχύς από την μπαταρία

Ο παρακάτω πίνακας δείχνει το χρόνο λειτουργίας με μία μόνο φόρτιση.

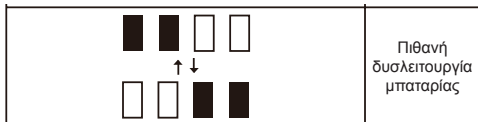
Χωρητικότητα μπαταρίας	Τάση κασέτας μπαταρίας			ΕΞΟΔΟΣΗΧΕΙΟΥ = 100 mW (Μονάδα: Ωρα) (Κατά προσέγγιση)			
	10,8V	14,4V	18V	AUX IN	Bluetooth	AUX IN+ +USB(2, 1A)	Bluetooth +USB(2, 1A)
1,3Ah		BL1415	BL1815	7,5	7,0		1,0
1,5Ah	BL1015			12	11		1,0
		BL1415N		10	9,0		1,0
2,0Ah			BL1815N	9,5	9,0		1,5
	BL1020B			15	14		1,0
3,0Ah		BL1430/ BL1430B		13	12		2,0
			BL1830/ BL1830B	16	15		2,0
4,0Ah	BL1040B			18	17		3,0
		BL1440		31	28		2,5
5,0Ah			BL1840/ BL1840B	26	24		3,0
		BL1450		25	24		4,0
6,0Ah			BL1850/ BL1850B	31	29		3,5
		BL1460B		32	31		5,5
6,0Ah			BL1860B	34	32		4,0
				39	37		6,5

Τοποθέτηση ή αφαίρεση συρόμενης κασέτας μπαταρίας (εικ. 3 και 4)

- Για να εγκαταστήσετε την κασέτα μπαταρίας, ευθυγραμμίστε την γλωττίδα στην κασέτα μπαταρίας με την εγκοπή στο περίβλημα και σύρετε τη στη θέση της. Πάντοτε να την τοποθετείτε σε όλη τη διαδρομή μέχρι να ασφαλίσει στη θέση της με ένα μικρό κλικ.
- Εάν μπορείτε να δείτε την κόκκινη ενδεικτική λυχνία στην άνω πλευρά του κουμπιού, η μπαταρία δεν είναι πλήρως ασφαλισμένη. Εγκαταστήστε τη πλήρως έως ότου σβήσει η κόκκινη ένδειξη. Διαφορετικά, η μπαταρία μπορεί να πέσει κατά λάθος από το εργαλείο και να τραυματίσει εσάς ή κάποιον γύρω σας.
- Μην χρησιμοποιείτε δύναμη όταν τοποθετείτε την κασέτα μπαταρίας. Αν η μπαταρία δεν ολισθαίνει με ευκολία, δεν είναι τοποθετημένη σωστά.
- Για να αφαιρέσετε την κασέτα μπαταρίας, τραβήξτε την από το μηχανήμα ενώ πιέζετε το κουμπί στο μπροστινό μέρος της κασέτας.

Σημείωση:

Όταν το ηχείο είναι σε χαμηλή μπαταρία, η μεσαία λυχνία LED θα αναβοσβήνει με κόκκινο χρώμα.



ΣΗΜΕΙΩΣΗ: Ανάλογα με τις συνθήκες χρήσης και τη θερμοκρασία περιβάλλοντος, η ένδειξη ενδέχεται να διαφέρει ελαφρώς από την πραγματική χωρητικότητα.

Χρήση του παρεχόμενου προσαρμογέα εναλλασσόμενου ρεύματος (Εικ. 5)

Αφαιρέστε το ελαστικό προστατευτικό και τοποθετήστε το βύσμα του προσαρμογέα στην υποδοχή συνεχούς ρεύματος στη δεξιά πλευρά του ηχείου. Συνδέστε τον προσαρμογέα σε μια κοινή πρίζα. Κάθε φορά που χρησιμοποιείται ο προσαρμογέας, η μπαταρία αποσυνδέεται αυτόματα. Ο μετασχηματιστής εναλλασσόμενου ρεύματος θα πρέπει να αποσυνδεθεί από την κύρια παροχή, όταν δεν είναι σε χρήση.

ΣΗΜΑΝΤΙΚΟ :

Ο προσαρμογέας δικτύου χρησιμοποιείται ως μέσο σύνδεσης του ηχείου με την παροχή ρεύματος. Η πρίζα που χρησιμοποιείται για το ηχείο πρέπει να παραμείνει προσβάσιμη κατά τη συνήθη χρήση. Για να αποσυνδέσετε πλήρως το ηχείο από το δίκτυο, ο προσαρμογέας δικτύου θα πρέπει να αφαιρεθεί εντελώς από την πρίζα.

Πρίζα USB

Αυτή η υποδοχή μπορεί να χρησιμοποιηθεί για να φορτίσει ένα κινητό τηλέφωνο ή οποιαδήποτε άλλη συσκευή που χρησιμοποιεί λιγότερα από 2.1Α συνεχούς ρεύματος. Η φόρτιση θα πραγματοποιηθεί μόνο όταν το ηχείο είναι ενεργοποιημένο.

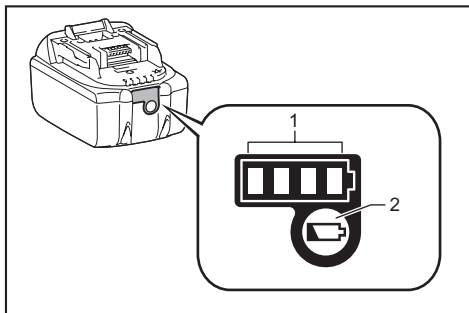
Σημείωση: Βεβαιωθείτε ότι η προδιαγραφή της εξωτερικής συσκευής σας, όπως το κινητό τηλέφωνο, συσκευή mp3 ή το iPod είναι συμβατή με το ηχείο. Παρακαλούμε διαβάστε το εγχειρίδιο οδηγιών της εξωτερικής συσκευής σας πριν από τη φόρτιση.

ΣΗΜΑΝΤΙΚΟ:

- Πριν από τη σύνδεση της συσκευής USB στο φορτιστή, βεβαιωθείτε ότι έχετε πάντα αντίγραφα ασφαλείας των δεδομένων της συσκευής σας USB. Διαφορετικά, τα δεδομένα σας μπορεί να χαθούν για πολλούς λόγους.
- Ο φορτιστής μπορεί να μην τροφοδοτεί με ρεύμα ορισμένες συσκευές USB.
- Όταν δεν χρησιμοποιείτε ή μετά τη φόρτιση, αφαιρέστε το καλώδιο USB και κλείστε το κάλυμμα.
- Μην συνδέετε την πηγή τροφοδοσίας στη θύρα USB. Διαφορετικά υπάρχει κίνδυνος πυρκαγιάς. Η θύρα USB προορίζεται μόνο για τη φόρτιση συσκευών χαμηλότερης τάσης. Να τοποθετείτε πάντα το κάλυμμα πάνω στη θύρα USB όταν δεν φορτίζει μια συσκευή χαμηλότερης τάσης.
- Μην τοποθετείτε καρφιά, σύρματα, κλπ σε θύρα τροφοδοσίας USB. Διαφορετικά, ένα βραχυκύκλωμα μπορεί να προκαλέσει καπνό και φωτιά.
- Μην συνδέσετε αυτή την υποδοχή USB με θύρα USB στον υπολογιστή σας, καθώς είναι πολύ πιθανό ότι μπορεί να προκαλέσει βλάβη των μονάδων.

Ένδειξη της ενέργειας της μπαταρίας

Gælder kun batteripakker med "B" i slutningen af modelnummeret



- 1. Ενδεικτικές λυχνίες 2. Κουμπί ελέγχου


Πατήστε το πλήκτρο ελέγχου στην μπαταρία για να δείξει την υπολειπόμενη χωρητικότητα της μπαταρίας. Οι ενδεικτικές λυχνίες ανάβουν για λίγα δευτερόλεπτα.

Ενδεικτικές λυχνίες			Εναπομένουσα χωρητικότητα
Αναμμένη	Ανενεργή	Αναβοσβήνει	
■ ■ ■ ■	□ □ □ □	■	75% έως 100%
■ ■ ■ □	□ □ □ □	□	50% έως 75%
■ ■ □ □	□ □ □ □	□	25% έως 50%
■ □ □ □	□ □ □ □	□	0% έως 25%
■	□ □ □ □	□	Φορτίστηκε η μπαταρία

Σύζευξη και σύνδεση συσκευής με το ηχείο

Θα πρέπει να συζεύξετε τη συσκευή σας Bluetooth με το DMR200 σας πριν να πραγματοποιήσετε αυτόματη σύνδεση για την αναπαραγωγή μουσικής Bluetooth μέσω των ηχείων σας Bluetooth. Η σύζευξη δημιουργεί ένα "δεσμό" έτσι ώστε οι δύο συσκευές να μπορούν να αναγνωρισούν η μία την άλλη.

Σύζευξη και αναπαραγωγή της συσκευής σας Bluetooth για πρώτη φορά

1. Πατήστε το κουμπί λειτουργίας  για να ενεργοποιήσετε το ηχείο και η ένδειξη Bluetooth θα αρχίσει να αναβοσβήνει σε μπλε χρώμα. Η ενδεικτική λυχνία αναβοσβήνει γρήγορα σε μπλε χρώμα υποδεικνύοντας ότι το ηχείο είναι εντοπισμένο.
2. Ενεργοποιήστε τη σύνδεση Bluetooth στη συσκευή σας, σύμφωνα με το εγχειρίδιο χρήσης της συσκευής για τη σύνδεση με το ηχείο. Εντοπίστε τη λίστα συσκευών Bluetooth και επιλέξτε τη συσκευή που ονομάζεται «DMR200». Σε κάποια κινητά (τα οποία είναι εξοπλισμένα με εκδόσεις παλαιότερες από το BT2.1 Bluetooth), μπορεί να χρειαστεί να εισάγετε τον κωδικό πρόσβασης "0000". Μόλις συνδεθεί, θα υπάρξει ένα ηχητικό σήμα και η ένδειξη Bluetooth θα παραμείνει σταθερή σε μπλε χρώμα. Μπορείτε απλά να επιλέξετε και να παίξετε οποιοδήποτε μουσική από τη συσκευή προέλευσης.
4. Η ένταση ήχου μπορεί να ρυθμιστεί από τη συσκευή προέλευσης ή απευθείας από το ηχείο. Χρησιμοποιήστε τα χειριστήρια στην συσκευή σας Bluetooth ή στο ηχείο για αναπαραγωγή/παύση και πλοήγηση κομματιών.

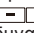


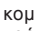
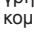


Σημείωση:

1. Αν 2 συσκευές Bluetooth, που επιχειρούν σύζευξη για πρώτη φορά, αναζητούν αμοιρώως το DMR200 σας, θα εμφανιστεί ως διαθέσιμο και στις δύο συσκευές. Ωστόσο, αν μια συσκευή Bluetooth συνδεθεί με το ηχείο πρώτη, τότε το ηχείο δεν θα εμφανίζεται πλέον στον κατάλογο της άλλης συσκευής Bluetooth.
2. Εάν η συσκευή σας Bluetooth έχει αποσυνδεθεί προσωρινά από το ηχείο σας, τότε θα πρέπει για να επανασυνδεθεί χειροκίνητα τη συσκευή σας στο ηχείο.
3. Αν το "DMR200" εμφανίζεται στη λίστα συσκευών σας Bluetooth, αλλά η συσκευή σας δεν μπορεί να συνδεθεί με αυτό, παρακαλούμε να διαγράψετε το στοιχείο από τη λίστα σας και να συνδέσετε και πάλι τη συσκευή με το ηχείο, ακολουθώντας τα βήματα που περιγράφονται προηγουμένως.
4. Το αποτελεσματικό εύρος λειτουργίας μεταξύ του συστήματος και της συζευγμένης συσκευής είναι περίπου 10 μέτρα (30 πόδια). Κάθε εμπόδιο μεταξύ του συστήματος και της συσκευής μπορεί να μειώσει το εύρος λειτουργίας.
5. Η απόδοση της συνδεσιμότητας Bluetooth μπορεί να διαφέρει ανάλογα με τις συνδεδεμένες συσκευές Bluetooth. Παρακαλούμε να ανατρέξετε στις δυνατότητες Bluetooth της συσκευής σας πριν από τη σύνδεση με το ηχείο σας. Μπορεί να μην υποστηρίζονται όλες οι λειτουργίες σε ορισμένες συσκευές Bluetooth.

Αναπαραγωγή αρχείων ήχου στη λειτουργία Bluetooth

Όταν έχετε συνδέσει με επιτυχία τα ηχεία σας με την επιλεγμένη συσκευή Bluetooth, μπορείτε να αρχίσετε να παίζετε τη μουσική σας χρησιμοποιώντας τα χειριστήρια της συνδεδεμένης συσκευής σας Bluetooth.

1. Μόλις αρχίσει η αναπαραγωγή προσαρμόστε

- την ένταση ήχου στην επιθυμητή ρύθμιση χρησιμοποιώντας τα πλήκτρα έντασης  του ήχου στο ηχείο σας ή στη συσκευή με δυνατότητα Bluetooth. Όταν πατήσετε το κουμπί αύξησης/μείωσης της έντασης η ένδειξη της έντασης θα αναβοσβήνει γρήγορα σε κόκκινο χρώμα. Εάν η ενδεικτική λυχνία παραμένει σταθερά αναμμένη σε κόκκινο χρώμα, αυτό υποδηλώνει ότι η ένταση είναι στη μέγιστη ή ελάχιστη τιμή της. Χρησιμοποιήστε τα χειριστήρια στη συσκευή σας για αναπαραγωγή/παύση και πλοήγηση κομματιών. Εναλλακτικά, ελέγξτε την αναπαραγωγή χρησιμοποιώντας τα κουμπιά Αναπαραγωγή/Παύση () ή () Επόμενο κομμάτι () ή Προηγούμενο κομμάτι () από το ηχείο. Πατήστε και κρατήστε πατημένο το κουμπί Επόμενο κομμάτι () ή Προηγούμενο κομμάτι () για γρήγορη κίνηση προς τα εμπρός/πίσω στο τρέχον κομμάτι. Αφήστε το κουμπί όταν φτάσετε στο επιθυμητό σημείο του κομματιού.


Σημείωση:

1. Είναι πιθανό ότι ορισμένες εφαρμογές ή συσκευές αναπαραγωγής μπορεί να μην ανταποκρίνονται σε όλες τις επιλογές ελέγχου.
2. Ορισμένα κινητά τηλέφωνα μπορεί να αποσυνδεθούν προσωρινά από το ηχείο σας όταν πραγματοποιείτε ή να λαμβάνετε κλήσεις. Ορισμένες συσκευές μπορεί να σιγάσουν προσωρινά την αναπαραγωγή ήχου συνεχούς ροής Bluetooth όταν λαμβάνουν μηνύματα κειμένου, e-mail ή για άλλους λόγους που δεν σχετίζονται με την αναπαραγωγή ήχου συνεχούς ροής. Μια τέτοια ενέργεια είναι σύνηθες της συνδεδεμένης συσκευής και δεν αποτελεί ένδειξη βλάβης του ηχείου σας.

Μνήμη ηχείου και επανασύνδεση μιας συσκευής

Το ηχείο σας μπορεί να απομνημονεύσει μέχρι και 8 σετ συζευγμένων συσκευών, όταν η μνήμη υπερβαίνει το ποσό αυτό, η παλαιότερη ιστορία αντιστοιχισής θα αντικατασταθεί. Εάν η συσκευή σας Bluetooth έχει ήδη συνδεθεί με το ηχείο προηγουμένως, η μονάδα θα απομνημονεύσει τη συσκευή σας Bluetooth και θα επιχειρήσει να επανασυνδεθεί με μια συσκευή στη μνήμη με την οποία συνδεθήκατε την τελευταία φορά. Αν η τελευταία συνδεδεμένη συσκευή δεν είναι διαθέσιμη, το ηχείο θα είναι ανιχνεύσιμο.

Αποσύνδεση της συσκευής σας Bluetooth

Πατήστε και κρατήστε πατημένο το κουμπί σύζευξης Bluetooth  για 2-3 δευτερόλεπτα για να αποσυνδέσετε τη συσκευή σας Bluetooth. Η ένδειξη Bluetooth αναβοσβήνει σε μπλε χρώμα υποδεικνύοντας ότι το ηχείο είναι και πάλι εντοπισμένο για σύζευξη.

Αναπαραγωγή μουσικής μέσω βοηθητικής υποδοχής εισόδου

Μια βοηθητική υποδοχή εισόδου 3.5mm παρέχεται στη δεξιά πλευρά της μονάδας ώστε να επιτρέπει την προφοδοσία ηχητικού σήματος στη μονάδα από συσκευές που διαθέτουν ακουστικά ή έξοδο ήχου, όπως ένα iPod, MP3 ή CD player.

1. Συνδέστε μια πηγή στερεοφωνικού ή μονοφωνικού ήχου (για παράδειγμα, το iPod, MP3 ή CD player) 44

με την βοηθητική υποδοχή εισόδου (με την ένδειξη 'AUX') και η ένδειξη βοηθητικής υποδοχής εισόδου ανάβει πράσινη υποδεικνύοντας ότι το ηχείο είναι σε λειτουργία βοηθητικής εισόδου.

2. Προσαρμόστε την ένταση ήχου στο iPod, MP3 ή CDplayer για την εξασφάλιση επαρκούς σήματος και, στη συνέχεια, προσαρμόσετε την ένταση ήχου στο ηχείο για άνετη ακρόαση.

Σημείωση:

Όταν η υποδοχή βοηθητικής υποδοχής εισόδου είναι συνδεδεμένη με μια συσκευή ήχου, η λειτουργία Bluetooth θα απενεργοποιηθεί για την ελαχιστοποίηση της κατανάλωσης ενέργειας.

ΣΥΝΤΗΡΗΣΗ

⚠ ΠΡΟΣΟΧΗ:

- Ποτέ μη χρησιμοποιείτε βενζίνη, διαλυτικά, οινόπνευμα ή παρόμοια υλικά. Μπορεί να προκαλέσουν αποχρωματισμό, παραμόρφωση ή ρωγμές.

Προδιαγραφές

Εισαγωγή

Ισχύς εξόδου	18V:10W 14,4V:6W 10,8V:3,5W
Απόκριση συχνότητας	50Hz~20kHz

Βοηθητική υποδοχή εισόδου

Ευαισθησία εισόδου 250mVrms @100Hz

Ηχείο

Κεντρικό ηχείο	101,6mm 8 ohm 10W
Ηχείο τούιτερ	36mm 8ohm 10W

Bluetooth

Έκδοση Bluetooth	4.0
Προφίλ Bluetooth	A2DP / SCMS-T / AVRCP
Ισχύμετάδοσης	Π ρ ο δ ι α γ ρ α φ ή ισχύοςκλάσης Bluetooth 2
Εμβέλεια εκπομπής	Μ έ γ . 10 μ (π ο ι κ ί λ λ ε ι ανάλογα με τις συνθήκες χρήσης)
Υποστηριζόμενος κωδικοποιητής	SBC
Συμβατό προφίλ Bluetooth	A2DP

Γενικά

Μετασχηματιστής εναλλασσόμενου ρεύματος	συνεχές ρεύμα σε 12V 1.5A, κεντρικός πείρος θετικός
Συρόμενη κασέτα μπαταρίας	10,8 V/14,4 V/ 18 V
Βάρος	2,7κιλό (χωρίς μπαταρία)

Η εταιρεία διατηρεί το δικαίωμα να τροποποιήσει τις προδιαγραφές χωρίς προειδοποίηση.

POLSKI (oryginalna instrukcja)

Symbole

Poniżej pokazane są symbole użyte w sprzęcie. Upewnij się, że przed użyciem rozumiesz ich znaczenie.



Przeczytaj instrukcję obsługi.



Dotyczy tylko państw UE
Nie wyrzucaj urządzeń elektrycznych lub akumulatorów wraz z odpadami z gospodarstwa domowego!
Zgodnie z Europejską Dyrektywą w sprawie zużytego sprzętu elektrycznego i elektronicznego oraz dotyczącą akumulatorów i baterii oraz zużytych akumulatorów i baterii, a także dostosowaniem ich do prawa krajowego, zużyte urządzenia elektryczne, baterie i akumulatory, należy składować osobno i przekazywać do zakładu recyklingu działającego zgodnie z przepisami dotyczącymi ochrony środowiska.

WAŻNE INSTRUKCJE BEZPIECZEŃSTWA INSTRUCTIONS

⚠ OSTRZEŻENIE:

Podczas korzystania z narzędzi elektrycznych, należy zawsze przestrzegać podstawowych zasad bezpieczeństwa, aby zredukować ryzyko wystąpienia pożaru, porażenia prądem, obrażenia ciała, np.:

1. Przed użyciem przeczytaj uważnie niniejszą instrukcję obsługi oraz instrukcję ładowarki.
2. Czyść tylko przy pomocy suchej ściereki.
3. Nie umieszczaj w pobliżu żadnych źródeł ciepła, np. chłodziac, grzejników, kuchenek lub innych urządzeń (włączając wzmocniacze), które produkują ciepło.
4. Używaj tylko dodatków/akcesoriów określonych przez producenta.
5. Odłącz to urządzenie podczas burzy z piorunami lub gdy nie jest używane przez dłuższy okres czasu.
6. Zasilany bateriami głośnik ze zintegrowanymi bateriami lub oddzielnym zestawem baterii musi być ładowany tylko przy pomocy określonej ładowarki. Ładowarka, która może być odpowiednia do jednego typu baterii może powodować ryzyko pożaru, gdy jest używana z innym typem baterii.
7. Używaj głośnika zasilanego bateriami tylko z określonym dedykowanym zestawem baterii. Używanie innego rodzaju baterii może powodować ryzyko pożaru.
8. Gdy zestaw baterii nie jest używany, trzymaj go z dala od innych metalowych obiektów: spinacze do papieru, monety, gwoździe, wkręty lub inne małe metalowe obiekty, które mogą doprowadzić do połączenia między stykami. Zwarcie styków baterii może powodować wytwarzanie się iskier, przypalenia lub pożar.
9. Unikaj kontaktu ciała z uziemionymi powierzchniami, np. rurami, chłodziacami i lodówkami. Istnieje zwiększone ryzyko porażenia prądem, jeżeli Twoje ciało jest uziemione.
10. W nieprzychylnych warunkach, ciecz może wydostać się z baterii; unikaj kontaktu z nią. Jeżeli dojdzie do kontaktu, zmyj wodą. Jeżeli ciecz dostanie się do oczu, skontaktuj się dodatkowo z lekarzem. Ciecz wydostająca się z

baterii może powodować podrażnienie lub oparzenia.

11. Wtyczka ZASILANIA jest używana do odłączania urządzenia od zasilania i powinna pozostać zawsze gotowa do użycia.

ZACHOWAJ NINIEJSZĄ INSTRUKCJĘ

SZCZEGÓLWE ZASADY DOT. BEZPIECZEŃSTWA

DLA BATERII

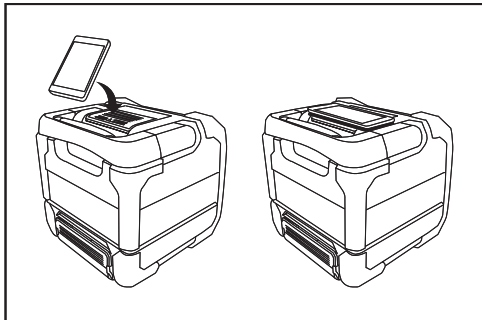
1. Przed użyciem baterii, przeczytaj wszystkie instrukcje oraz oznaczenia dot. uwag na (1) ładowarce do baterii, (2) bateriach oraz (3) produkcie korzystającym z baterii.
2. Nie rozmontowuj baterii.
3. Jeżeli czas używania znacząco się zmniejszył, natychmiast przestań korzystać z urządzenia. Może to skutkować przegrzaniem, powodować oparzenia, a nawet prowadzić do wybuchu.
4. Gdy elektrolit dostanie się do twoich oczu, przepłucz je czystą wodą i natychmiast skonsultuj się z lekarzem. Może to skutkować utratą wzroku.
5. Nie powoduj zwarcia baterii:
(1) Nie dotykaj styków przy pomocy przewodzących (2) materiałów.
Unikaj przechowywania baterii w pojemniku z (3) innymi metalowymi przedmiotami, np. gwoździami, monetami itp.
Nie narażaj baterii na oddziaływanie wody lub deszczu. Zwarcie baterii może skutkować dużym przepływem napięcia, przegrzaniem, możliwymi oparzeniami i uszkodzeniem.
6. Nie przechowuj narzędzia i baterii w miejscach, gdzie temperatura może osiągać lub przekraczać 50°C (122°F).
7. Nie spalaj baterii nawet, jeżeli są bardzo zniszczone lub kompletnie zużyte. Bateria może wybuchnąć w ogniu.
8. Uważaj, aby nie upuścić lub uderzyć baterii.
9. Nie używaj uszkodzonych baterii.

Wskazówki dot. maksymalnej żywotności baterii

1. Ładuj baterię przed jej całkowitym rozładowaniem się. Zawsze zatrzymaj urządzenie i naładuj baterię, gdy zauważysz spadek mocy w narzędziu.
2. Nigdy nie ładuj w pełni naładowanych baterii. Nadmierne ładowanie skracia żywotność baterii.
3. Ładuj baterię w temperaturze pokojowej 10°C - 40°C (50°F - 104°F). Pozwól, aby gorąca bateria ostygła zanim rozpocznieś jej ładowanie.
4. Naładuj baterię, jeżeli nie będziesz jej używać przez dłuższy okres czasu (więcej niż sześć miesięcy).

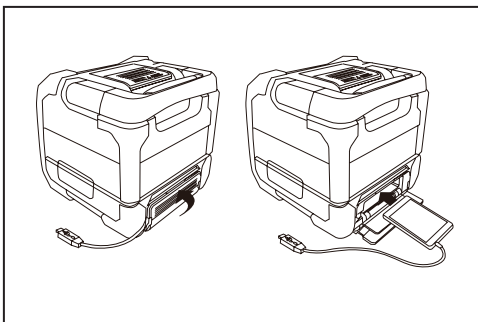
Wyjaśnienie ogólnego widoku (Rys. 1)

1. Skrzynka na baterię
2. Panel na telefon komórkowy



3. Przycisk Odtwarzanie/Pauza
4. Przycisk Następny utwór/Przewijanie do przodu
5. Przycisk zwiększania głośności
6. Przycisk zmniejszania głośności
7. Wskaźnik wejścia audio
8. Wskaźnik maksymalnej lub minimalnej głośności/
Wskaźnik niskiego stanu baterii
9. Wskaźnik Bluetooth
10. Przycisk parowania Bluetooth
11. Przycisk zasilania
12. Przycisk poprzedniego utworu/Przycisk przewijania wstecz
13. Głośnik
14. Uchwyt
15. Gniazdo DC
16. Gniazdo wejścia audio

17. Gniazdo zasilania USB
18. Otwór na kabel
19. Skrzynka na telefon komórkowy



20. Terminal baterii 14,4V/18V
21. Terminal baterii 10,8V
22. Osłona baterii
23. Bateria
24. Przycisk
25. Pokrywa skrzynki na telefon komórkowy

Zasilanie

Głośnik może być zasilany przez baterię Makita lub standardowe zasilanie z gniazdka.

Zasilane przez baterie

Poniższa tabela przedstawia czas pracy na pojedynczym ładowaniu.

Pojemność baterii	Napięcie baterii			WYJŚCIE Z GŁOŚNIKA = 100mW (jednostka: godzina) (Okolo)			
	10,8V	14,4V	18V	WEJŚCIE NA ŹRÓDŁO AUDIO	Bluetooth	WEJŚCIE NA ŹRÓDŁO AUDIO +USB(2,1A)	Bluetooth +USB(2,1A)
1,3Ah		BL1415	BL1815	7,5	7,0		1,0
1,5Ah	BL1015			12	11		1,0
		BL1415N		10	9,0		1,0
2,0Ah			BL1815N	9,5	9,0		1,5
	BL1020B			15	14		1,0
3,0Ah			BL1820/ BL1820B	13	12		2,0
		BL1430/ BL1430B		16	15		2,0
4,0Ah			BL1830/ BL1830B	18	17		3,0
	BL1040B			31	28		2,5
5,0Ah		BL1440		26	24		3,0
			BL1840/ BL1840B	25	24		4,0
6,0Ah		BL1450		31	29		3,5
			BL1850/ BL1850B	32	31		5,5
6,0Ah		BL1460B		34	32		4,0
			BL1860B	39	37		6,5

Montowanie lub wyjmowanie baterii (Rys. 3 i 4)

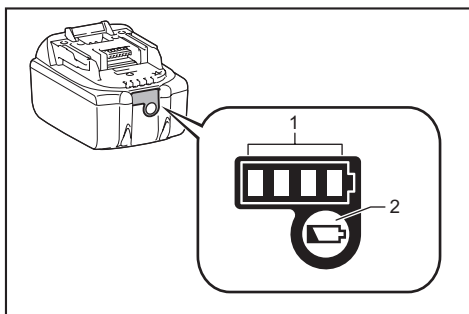
- Aby zamontować baterie, dopasuj języczek na baterii do rowka w obudowie i włóż ją na miejsce. Zawsze wkładaj je do samego końca aż zablokują się na swoim miejscu wydając dźwięk kliknięcia.
- Jeżeli widzisz czerwony wskaźnik w górnej części przycisku, oznacza to, że bateria nie jest zablokowana. Zamontuj ją do końca, aby czerwony wskaźnik nie był widoczny. W przeciwnym razie może przypadkowo wypaść z narzędzia, spowodować obrażenia u Ciebie lub osób w Twoim otoczeniu.
- Nie używaj siły podczas wkładania baterii. Jeżeli bateria nie wkłada się z łatwością, nie jest wkładana prawidłowo.
- Aby wyjąć baterię, wysuń ją z narzędzia naciskając przycisk z przodu baterii.

Uwaga:

Uwaga: gdy głośnik ma mało zasilania, środkowa lampka wskaźnikowa LED będzie mrugać na czerwono.

Wskaźnik pozostałego zasilania w baterii

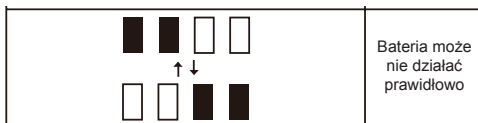
Tylko dla baterii z oznaczeniem „B” na końcu numeru modelu.



- 1. Lampki wskaźnikowe 2. Przycisk kontrolny

Naciśnij przycisk kontrolny na baterii, aby sprawdzić jej stan. Lampki wskaźnikowe zapalą się na kilka sekund.

Lampki wskaźnikowe			Pozostało baterii	
Zapalony	Wyłączony	Mruga		
■	□	▬	75% do 100%	
■ ■ ■ ■	□			
■ ■ ■	□			50% do 75%
■ ■	□			
■	□			25% do 50%
	□			
	□		0% do 25%	
	□			
▬	□	□	Naladuj baterię	



UWAGA: W zależności od warunków używania oraz temperatury zewnętrznej, wskaźnik może się nieznacznie różnić od faktycznej pozostałej ilości zasilania.

Korzystanie z zasilacza AC (Rys. 5)

Zdejmij gumową ochronę i włóż wtyczkę zasilacza do gniazda DC po prawej stronie głośnika. Podłącz adapter do standardowego gniazdzka. Kiedykolwiek używany jest adapter, bateria jest automatycznie odłączana. Zasilacz AC powinien być odłączony od źródła zasilania, gdy nie jest używany.

WAŻNE:

Zasilacz jest używany jako środek do podłączenia głośnika do zasilania. Gniazdko dla głośnika musi pozostać dostępne podczas normalnego używania. Aby odłączyć głośnik całkowicie od źródła zasilania, zasilacz powinien być całkowicie wyjęty z gniazdzka elektrycznego.

Gniazdko zasilania USB

To gniazdko może być używane do ładowania telefonu komórkowego lub jakiegokolwiek innego urządzenia, które korzysta z napięcia mniejszego niż 2,1A prądu stałego. Ładowanie będzie możliwe tylko, gdy głośnik jest włączony.

Uwaga: Upewnij się, że specyfikacja Twojego zewnętrznego urządzenia, np. telefonu komórkowego, odtwarzacza MP3 lub iPod'a jest kompatybilna z głośnikiem. Przed ładowaniem przeczytaj instrukcję obsługi Twojego zewnętrznego urządzenia.

WAŻNE:

- Przed podłączeniem urządzenia USB do ładowarki, zawsze wykonaj kopię zapasową danych urządzenia USB. W przeciwnym razie Twoje dane mogą zostać utracone.
- Ładowarka może nie dostarczać zasilania do niektórych urządzeń USB.
- Gdy nie jest używany lub po zakończeniu ładowania, wyjmij kabel USB i zamknij pokrywę.
- Nie podłączaj źródła zasilania do portu USB. W przeciwnym razie może wystąpić ryzyko pożaru. Gniazdo USB przeznaczone jest tylko do ładowania urządzeń o niskim napięciu. Zawsze umieszczaj osłonę na gnieździe USB, gdy nie ładujesz urządzeń o niskim napięciu.
- Nie wkładaj gwoźdźcia, drutu itp. do gniazda zasilania USB. W przeciwnym razie zwarcie może doprowadzić do dymienia i pożaru.
- Nie podłączaj tego gniazda USB do gniazda USB komputera, gdyż jest bardzo prawdopodobne, że doprowadzi to do uszkodzenia jednostki.

Parowanie i podłączenie urządzenia do głośnika

Dla Twojego DMR200 potrzebujesz urządzenia Bluetooth zanim będziesz mógł podłączyć i odtwarzać/strumieniować muzykę [p]rzez głośnik Bluetooth. Parowanie tworzy „powiązanie”, które umożliwi rozpoznawanie się urządzeń.

Parowanie i odtwarzanie z Twojego urządzenia Bluetooth po raz pierwszy

1. Naciśnij przycisk zasilania **(I)**, aby włączyć głośnik, lampka wskaźnikowa Bluetooth zacznie mrugać na niebiesko. Lampka wskaźnikowa mruga na niebiesko wskazując na to, że głośnik jest wykrywalny.
2. Aktywuj Bluetooth na swoim urządzeniu zgodnie z instrukcją obsługi użytkownika urządzenia, aby połączyć się z głośnikiem. Zlokalizuj listę urządzeń Bluetooth i wybierz urządzenie o nazwie „DMR200”. Przy niektórych telefonach komórkowych (które mają wcześniejszą wersję niż Bluetooth 2.1), będziesz musiał wprowadzić kod „0000”.
3. Po podłączeniu, wyemitowany zostanie sygnał dźwiękowy i lampka wskaźnikowa Bluetooth będzie się paliła ciągle na niebiesko. Możesz po prostu wybrać i odtworzyć jakąkolwiek muzykę z Twojego urządzenia. Głośność może być kontrolowana z urządzenia źródłowego lub bezpośrednio na głośniku.
4. Użyj kontrolerów na Twoim urządzeniu Bluetooth lub na głośniku, aby odtwarzać/wstrzymać lub zmienić utwór.

Uwaga:

1. Jeżeli 2 urządzenia Bluetooth parują się po raz pierwszy, oba wyszukają Twój DMR200 i oba będą wyświetlać jego dostępność. Jednakże, jeżeli jedno urządzenie połączy się z jednostką jako pierwsze, wtedy drugie urządzenie nie będzie w stanie znaleźć go na liście.
2. Jeżeli Twoje urządzenie Bluetooth jest tymczasowo odłączone od głośnika, będziesz musiał ponownie połączyć się z głośnikiem ręcznie.
3. Jeżeli „DMR200” wyświetla się na Twojej liście urządzeń Bluetooth, ale urządzenie nie może się połączyć, usuń element z listy i sparuj urządzenie z głośnikiem ponownie, postępując z zgodnie z krokami opisanymi wcześniej. Efektywny zasięg między systemem i sparowanym urządzeniem to około 10 metrów (30 stóp).
4. Jakkolwiek przeszkoda między systemem a urządzeniem może zredukować zasięg operacyjny. Wydajność połączenia Bluetooth może się różnić w zależności od podłączonego urządzenia Bluetooth. Zobacz wydajność swojego urządzenia Bluetooth.
5. Wszystkie funkcje mogą nie być obsługiwane na sparowanych urządzeniach Bluetooth.

Odtwarzanie plików audio w trybie Bluetooth

OPo pomyślnym podłączeniu do Twojego głośnika wybranego urządzenia Bluetooth, możesz rozpocząć

odtwarzanie muzyki używając kontrolerów na podłączonym urządzeniu Bluetooth.

1. Po rozpoczęciu odtwarzania, dostosuj głośność używając przycisków **(-|+)** głośności na głośniku lub na urządzeniu Bluetooth. Podczas naciskania przycisków zwiększania/zmniejszania głośności, lampka wskaźnikowa głośności będzie szybko mrugać na czerwono. Jeżeli lampka wskaźnikowa świeci ciągle na czerwono, oznacza to, że głośność osiągnęła maksymalny lub minimalny poziom.
2. Użyj kontrolerów na Twoim urządzeniu lub, aby odtwarzać/wstrzymać lub zmienić utwór. Alternatywnie, kontroluj odtwarzanie używając przycisków Odtwarzaj/Wstrzymaj **(▶|II)**, Następny utwór **(▶▶I)**, Poprzedni utwór **(I◀◀)** na głośniku.
3. Naciśnij i przytrzymaj przycisk Następny utwór **(▶▶I)** lub **(I◀◀)** Poprzedni utwór, aby przewinąć do przodu/ do tyłu utwór. Zwolnij przycisk, gdy osiągnięty zostanie odpowiedni punkt w utworze.

Uwaga:

1. Nie wszystkie aplikacje odtwarzaczy lub urządzenia mogą reagować na te działania.
2. Niektóre telefony komórkowe mogą tymczasowo odłączać się od Twojego głośnika, gdy wykonujesz lub odbierasz połączenie telefoniczne. Niektóre urządzenia mogą tymczasowo wyciszać strumieniowanie audio poprzez Bluetooth, gdy otrzymują wiadomości tekstowe, e-maile lub z innych powodów nie związanych ze strumieniowaniem. Takie zachowanie jest funkcją podłączonego urządzenia i nie oznacza, że Twoje urządzenie jest zepsute.

Pamięć głośnika i ponowne podłączenie urządzenia

Twój głośnik może zapamiętać do 8 zestawów sparowanych urządzeń, gdy pamięć przekroczy tą ilość, najstarsze sparowane urządzenie zostanie nadpisane. Jeżeli Twoje urządzenie Bluetooth zostało wcześniej sparowane z głośnikiem, jednostka zapamięta Twoje urządzenie i spróbuje się z nim połączyć, gdy połączenie zostanie utracone. Jeżeli poprzednio podłączone urządzenie nie jest dostępne, głośnik będzie wykrywalny.

Odlączenie Twojego urządzenia Bluetooth

Naciśnij i przytrzymaj przycisk parowania **(X)** Bluetooth przez 2-3 sekundy, aby rozłączyć urządzenie Bluetooth. Lampka wskaźnikowa Bluetooth będzie mrugać na niebiesko wskazując, że głośnik jest ponownie wykrywalny do parowania.

Odtwarzanie muzyki poprzez gniazdo audio

Po prawej stronie urządzenia znajduje się gniazdo audio 3,5 mm, do którego podłączyć można przewód ze słuchawk lub urządzenia audio, np. iPod, odtwarzacza MP3 lub CD.

1. Podłącz źródło dźwięku stereo lub audio (np. iPod, odtwarzacz MP3 lub CD) do gniazda audio (oznaczone „AUX”), a wskaźnik gniazda zapali się na zielono oznaczając, że głośnik przeszedł w tryb

- wejścia audio.
2. Dostosuj głośność na swoim iPodzie, odtwarzaczu MP3 lub CD, aby zapewnić odpowiedni sygnał, a następnie dostosuj na głośniku, aby zapewnić komfortowe słuchanie.

Uwaga:

Gdy gniazdo audio jest podłączone do urządzenia audio, funkcja Bluetooth będzie wyłączona, aby zminimalizować zużycie energii.

KONSERWACJA

⚠ UWAGA:

- Nigdy nie używaj benzyny, benzenu, alkoholu lub tym podobnych. Może to skutkować utratą koloru, deformacją lub pęknięciami.

Specyfikacja

Wzmacniacz

Moc wyjściowa	18V:10W 14,4V:6W 10,8V:3,5W
Odpowiedź częstotliwościowa	50Hz~20kHz

Wejście audio

Czułość wejścia	250mVrms @100Hz
-----------------	-----------------

Głośnik

Główny głośnik	101,6mm 8 ohm 10W
Głośnik wysokotonowy	36mm 8ohm 10W

Bluetooth

Wersja Bluetooth	4.0
Profile Bluetooth	A2DP/ SCMS-T/ AVRCP
Moc transmisji	Klasa mocy Bluetooth 2
Zakres transmisji	Maks. 10m (różni się w zależności od warunków użytkowania)
Obsługiwany kodek	SBC
Kompatybilny profil Bluetooth	A2DP

Ogólne

Zasilacz AC	DC 12V 1,5A, środkowy boczek dodatni
Bateria wsuwana	10,8 V/14,4 V/ 18 V
Waga	2,7KG (bez baterii)

Firma zastrzega sobie prawo do zmiany specyfikacji bez poinformowania o tym.